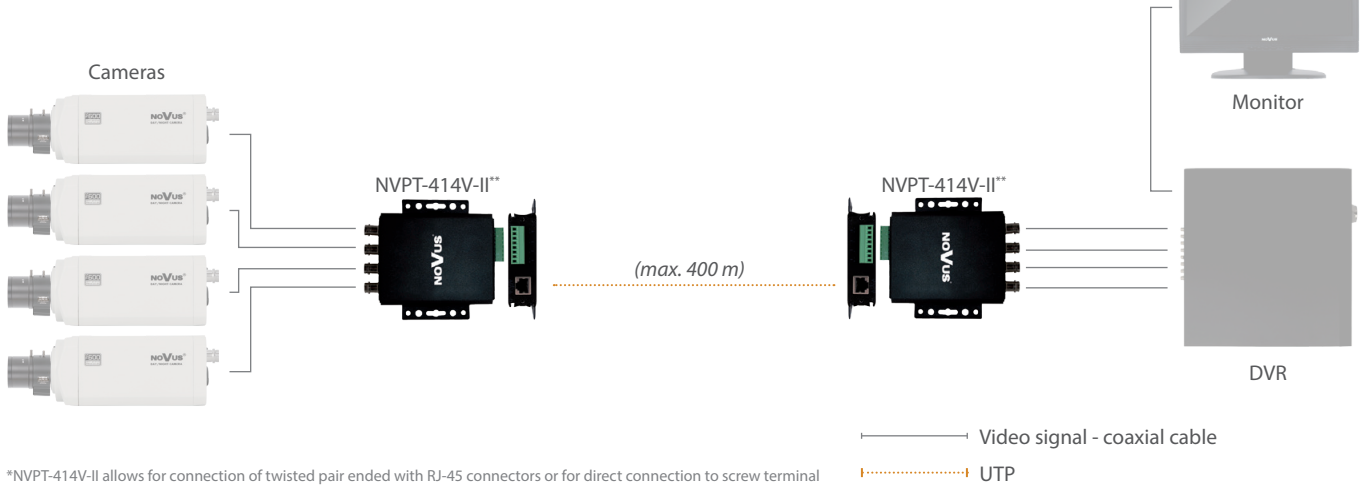
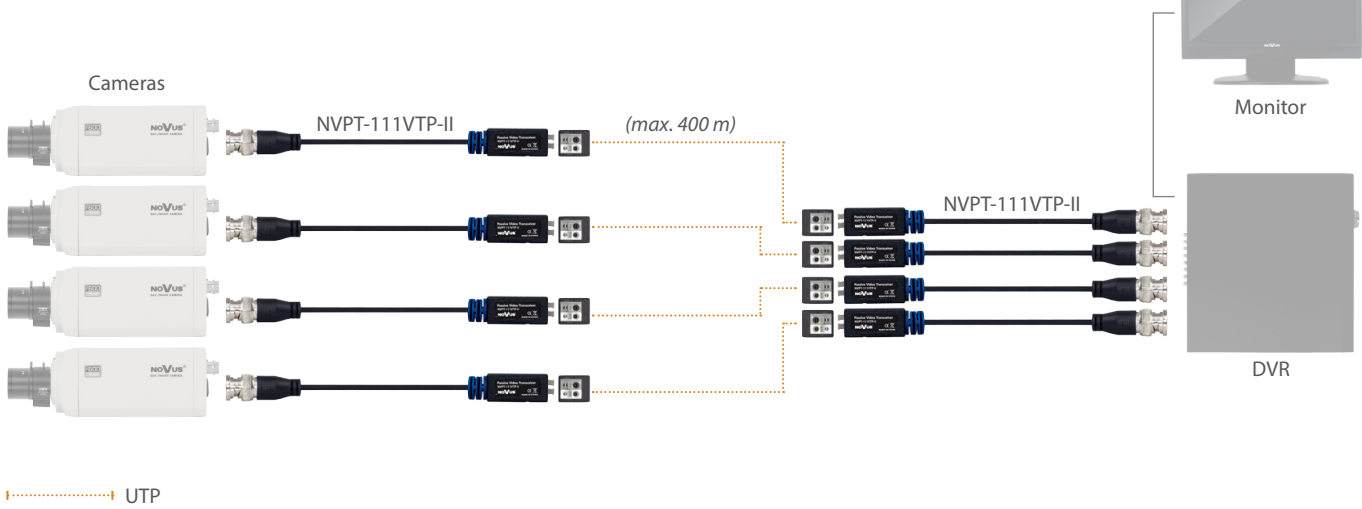


Video transmission system based on four channel passive transmitters/receivers NVPT-414V-II



Video transmission system based on one channel passive transmitters/receivers NVPT-111VTP-II



Video transmission system based on one and four channel passive transmitters/receivers

