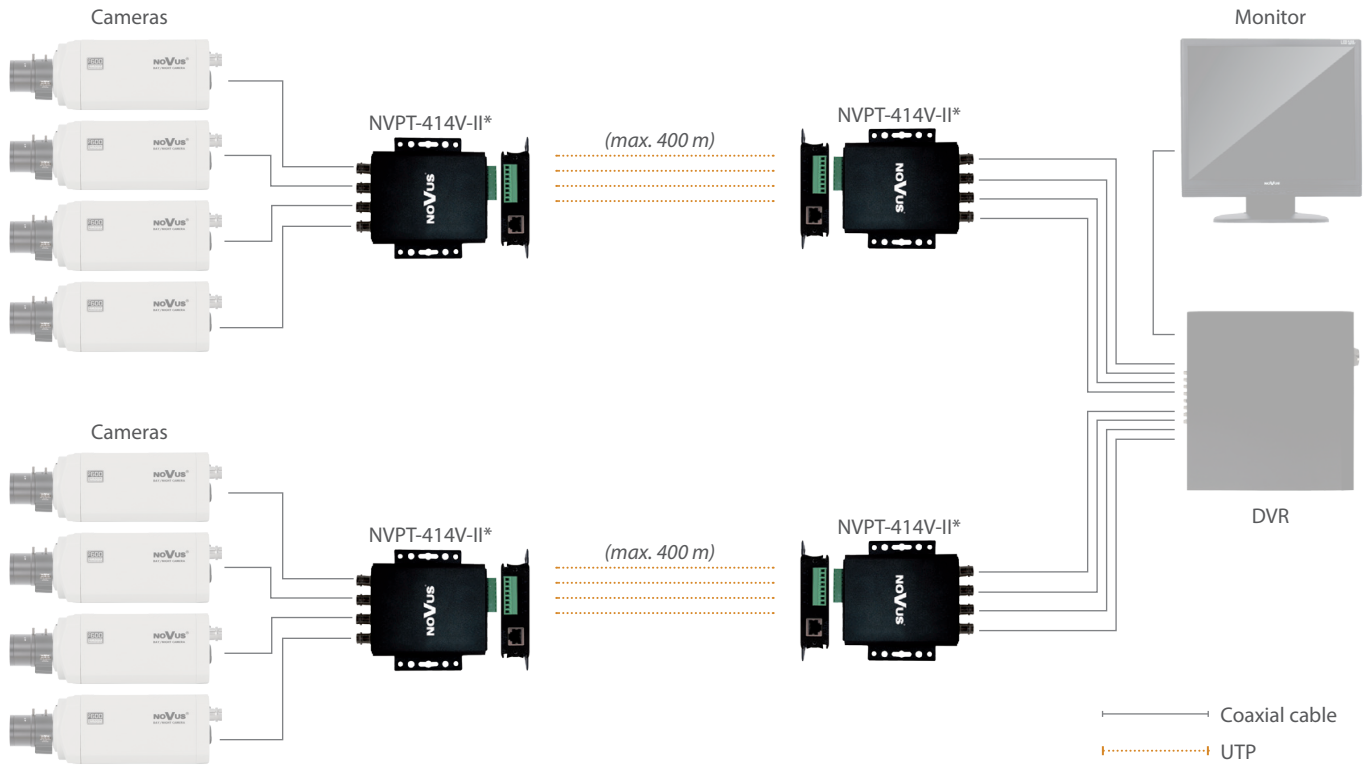
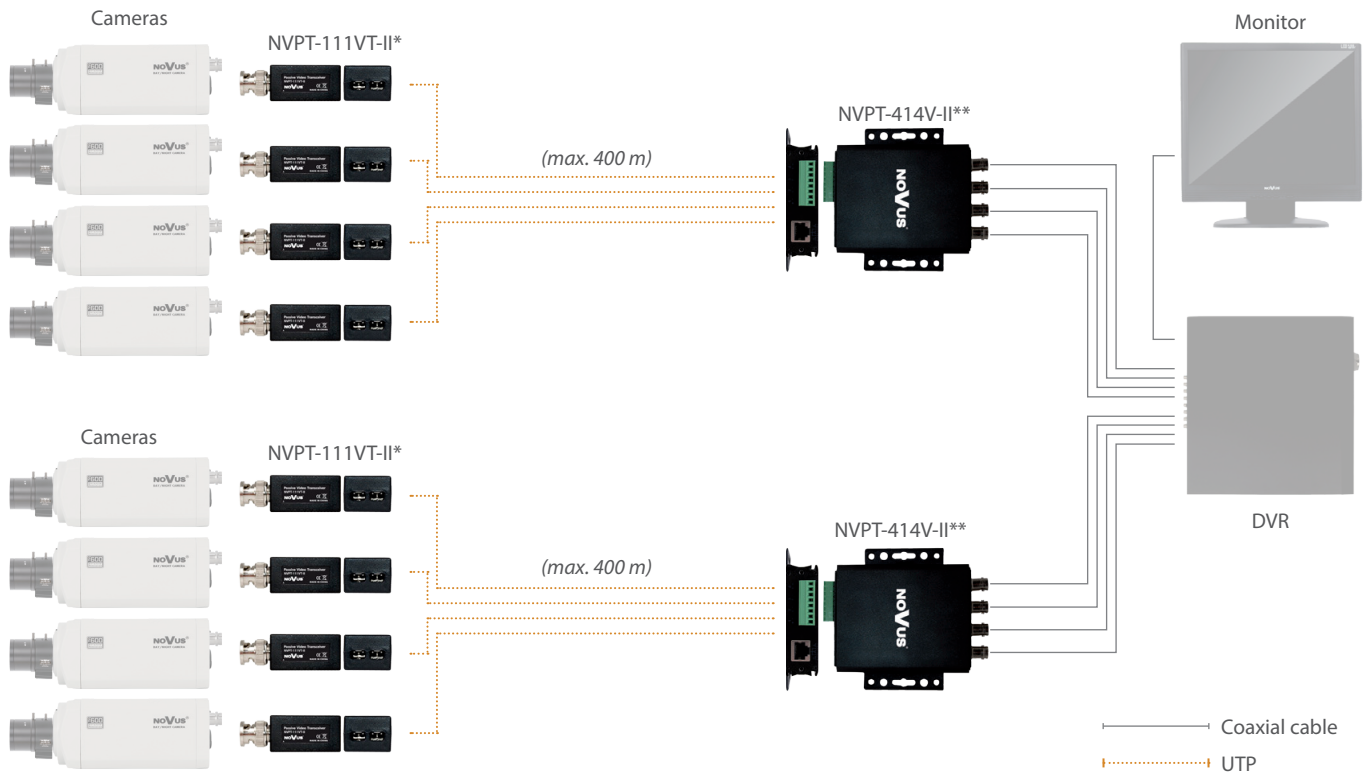


Video transmission system based on four channel passive transmitters/receivers NVPT-414V-II



* NVPT-414V-II allows for connection of twisted pair ended with RJ-45 connectors or for direct connection to screw terminal

Video transmission system based on one and four channel passive transmitters/receivers



*NVPT-111VT-II can be replaced by NVPT-111VTS-II and NVPT-111VTP-II as required.

**It is possible to connect any number of one and four channel devices as required.

Ex. with 5 cameras in the system the most cost effective solution is to choose receivers: 1 x NVPT-111VT-II and 1 x NVPT-414V-II