

Quick start guide





NVIP-6VE-6501 / F


NOVUS[®]

CAUTIONS AND WARNINGS

THE PRODUCT MEETS THE REQUIREMENTS CONTAINED IN THE FOLLOWING DIRECTIVES:

 **DIRECTIVE 2014/30/EU OF THE EUROPEAN PARLIMENT AND OF THE COUNCIL of 26 February 2014** on the harmonization of the laws of the Member States relating to electromagnetic compatibility (OJ L 96, 29.3.2014, p. 79–106, with changes).

 **DIRECTIVE 2012/19/EU OF THE EUROPEAN PARLIAMENT AND OF THE COUNCIL of 4 July 2012** on waste electrical and electronic equipment (WEEE) (OJ L 197, 24.7.2012, p. 38–71, with changes).

 **DIRECTIVE 2011/65/EU OF THE EUROPEAN PARLIAMENT AND OF THE COUNCIL of 8 June 2011** on the restriction of the use of certain hazardous substances in electrical and electronic equipment (OJ L 174, 1.7.2011, p. 88–110, with changes).

COMMISSION DELEGATED DIRECTIVE (EU) 2015/863 of 31 March 2015 amending Annex II to Directive 2011/65/EU of the European Parliament and of the Council as regards the list of restricted substances.

DIRECTIVE (EU) 2017/2102 OF THE EUROPEAN PARLIAMENT AND OF THE COUNCIL of 15 November 2017 amending Directive 2011/65/EU on the restriction of the use of certain hazardous substances in electrical and electronic equipment.

Exclusion of liability in the event of damage to data contained on disks or other devices or media:

The manufacturer is not liable in the event of damage or loss of data contained on disks or other devices or carriers during the operation of the Product.

Obligation to consult the Manufacturer before performing any action not provided for in the instruction manual or other documents:

Before performing an action that is not provided for a given Product in the user manual, other documents attached to the Product or does not result from the normal purpose of the Product, it is necessary, under pain of exclusion of the Manufacturer's liability for the consequences of such action, to contact the Manufacturer.



Pictures in this publication showing camera views can be simulations. Actual camera images may vary depending on the type, model, settings, observation area, or environmental conditions.

SAFETY REQUIREMENTS



Before using the device, read the instruction manual in order to ensure proper and safe operation of the device. Failure to comply with the instructions may lead to damage to the device and/or safety violations.



The user may not repair the device himself. Repairs and maintenance of the device may only be performed by qualified service personnel.



The device, which is an element of a professional CCTV system used for supervision and control, is not intended for self-assembly in households by persons without specialist knowledge.

eng

1. Please read this manual carefully before installation and operation;
2. Please keep this manual for the lifespan of the device in case referring to the contents of this manual is necessary;
3. It is necessary to comply with the safety requirements described in the manual, as they have a direct impact on the safety of users and the durability and reliability of the device;
4. All activities performed by installers and users must be carried out as described in the manual;
5. The device should be disconnected from power sources during maintenance procedures;
6. It is not allowed to use any additional devices, components or accessories not provided for and not recommended by the manufacturer;
7. Do not install this device in places where proper ventilation cannot be provided (e.g. closed cabinets, etc.), as this may cause heat build-up and may result in damage;
8. Do not place the device on unstable surfaces. Installation must be carried out by qualified personnel with appropriate permissions in accordance with the recommendations provided in this manual;
9. The device may be powered only from sources with parameters compliant with those indicated by the manufacturer in the technical data;



As the product is constantly improved and optimised, some of its parameters and functions may have changed from those described in this manual. If in doubt, please refer to the user manual at www.novuscctv.com

The user manual located at www.novuscctv.com is always the most up-to-date version.

TABLE OF CONTENTS

TABLE OF CONTENTS	4
1. FOREWORD INFORMATION	5
1.1. General characteristics.....	5
1.2. Technical specification	6
1.3. Camera dimensions	7
1.4. Package contents	7
2. START-UP AND INITIAL IP CAMERA CONFIGURATION	8
2.1. Description of connectors and control tools.....	8
2.2. Ethernet cable connecting	9
2.3. Camera mounting	10
2.4. Starting the IP camera	11
2.5. Initial configuration via the web browser.....	12
2.6. Security recommendations for network architecture and configuration	13
3. NETWORK CONNECTION USING WEB BROWSER	14
3.1. Recommended PC specification for web browser	14
3.2. Connection with IP camera via web browser.....	14
4. WWW INTERFACE - WORKING WITH IP CAMERA	19
4.1. Displaying live video.	19
5. ELECTRIC CONNECTORS AND ACCESORIES	20
5.1. MicroSD card installation	20
6. FACTORY SETTINGS RESTORING	21
6.1. Software factory settings restoring via web browser	21
6.2. Software factory settings restoring via NMS IPTool.....	21
6.3. Software factory settings restoring via IP Tool 6000.....	22
6.4. Hardware factory settings restoring	22

FOREWORD INFORMATION

1. FOREWORD INFORMATION

1.1. General Characteristics

- Sensor resolution: 6 megapixels
- Mechanical IR cut filter (IR operation capability)
- Min. Illumination from 0 lx with IR LED on
- Wide Dynamic Range (WDR 120dB) for enhanced image quality in diverse light conditions
- Digital Noise Reduction (DNR)
- Defog (F-DNR)
- Highlight Compensation (HLC)
- Back Light Compensation (BLC)
- Reduction of image flicker (Antiflicker)
- Lens type fixedfocal, $f = 2.8 \text{ mm}/F1.6$
- Built-in infrared light LED illuminator
- Built-in webserver: camera configuration through the website
- Video compression: H.264, H.265, H.264+, H.265+, MJPEG / G711
- Max. video resolution up to 3200 x 1800
- Multi streaming: compression, resolution, speed and quality defined individually for each video stream
- ROI functions
- Motion detection
- Private Zones
- RTSP protocol support for video transmission
- Schedule
- Micro SD card up to 256GB
- Wide range of responses to alarm events: e-mail with attachment, saving file on FTP server, saving file on microSD card
- Electronic Shutter from 1/4 s to 1/100 000 s.
- Supports up to 3 streams
- ONVIF Protocol Support
- Software: NMS (NOVUS MANAGEMENT SYSTEM) for video recording, live monitoring, playback and remote IP devices administration
- Power supply 12 VDC / PoE
- Advanced image analysis features: tamper, abandoned object, object disappearance, line cross, zone entrance, zone exit, object counting, loiter, illegal parking, face detection, detection of people not wearing masks, cross counting, heat map, scene change, video blurred, video color cast, objects distinguishing, people counting, vehicle counting, intrusion detection, target counting by area, video metadata

FOREWORD INFORMATION

1.2. Technical specification

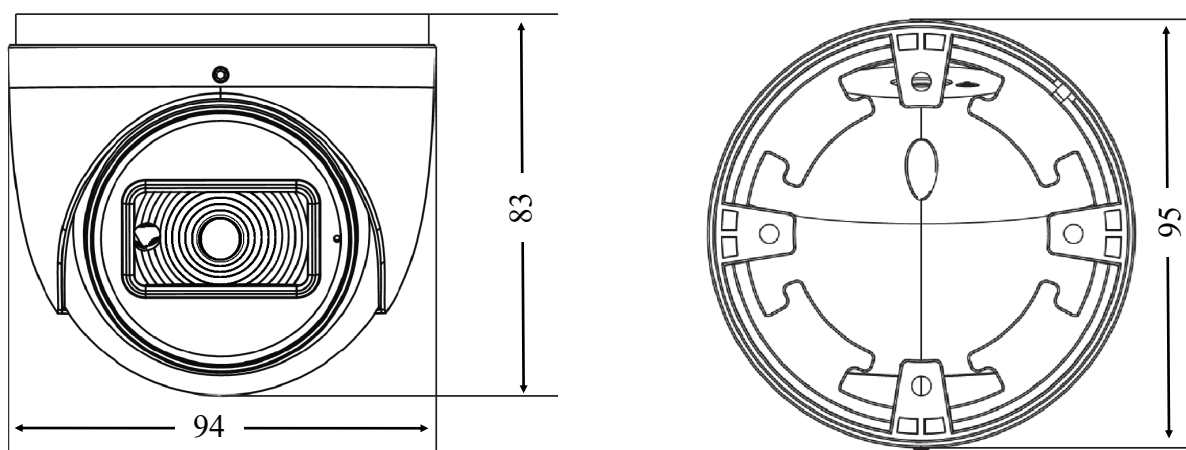
IMAGE	
Image Sensor	6 MPX CMOS sensor 1/2.5" SmartSens
Min. Illumination	0.008 lx/F1.6 - color mode, 0 lx (IR on) - B/W mode
Electronic Shutter	auto/manual: 1/4 s ~ 1/100000 s
Wide Dynamic Range (WDR)	yes (double scan sensor), 120dB
Digital Noise Reduction (DNR)	3D
Defog Function (F-DNR)	yes
Highlight Compensation (HLC)	yes
Back Light Compensation (BLC)	yes
Reduction of image flicker (Antiflicker)	yes
LENS	
Lens Type	fixed focal, f=2.8 mm/F1.6
DAY/NIGHT	
Switching Type	mechanical IR cut filter
Switching Mode	auto, manual, time
Switching Level Adjustment	yes
Switching Delay	2 ~ 120 s
Visible Light Sensor	yes
NETWORK	
Stream Resolution	3296 x 1856, 3200 x 1800 (QHD+), 2880 x 1624, 2688 x 1520, 1920 x 1080 (Full HD), 1280 x 720 (HD), 704 x 576, 640 x 480 (VGA), 352 x 288 (CIF), 480 x 240
Frame Rate	30 fps for each resolution
Multistreaming Mode	3 streams
Video/Audio Compression	H.264, H.264+, H.265, H.265+, MJPEG/G.711
Number of Simultaneous Connections	max. 10
Bandwidth	62 Mb/s in total
Network Protocols Support	HTTP, IPv4, IPv4/v6, UDP, HTTPS, FTP, DHCP, DDNS, NTP, RTSP, RTP, UPnP, SNMP, QoS, IEEE 802.1X, PPPoE, SMTP, RTCP, HTML5, RTMP
Camera Configuration	from Internet Explorer, Edge, Firefox, Chrome, Opera, Safari browser languages: Polish, English, and others
Compatible Software	NOVUS MANAGEMENT SYSTEM VSS, NOVUS MANAGEMENT SYSTEM AC, N Control 6000
Mobile applications	N-VID6 (iPhone, Android)
OTHER FUNCTIONS	
Privacy Zones	4 video mask type: single color or 4 video mask type: mosaic
Motion Detection	yes
Region of interest (ROI)	8
Audio Detection	yes
Video Content Analysis (VCA)	tamper, abandoned object, object disappearance, line cross, zone entrance, zone exit, loiter, face detection, detection of people not wearing masks, cross counting, heat map, scene change, video blurred, video color cast, objects distinguishing, people counting, vehicle counting, intrusion detection, target counting by area, video metadata, illegal parking detection
Image Processing	180° image rotation, sharpening, mirror effect, corridor mode, vertical flip, horizontal flip, lens distortion correction
Prealarm/Postalarm	up to 6 s/up to 120 s
System Reaction to Alarm Events	e-mail, e-mail with attachment, saving file on FTP server, saving file on SD card
Restoring default settings	via web browser, using reset button, via NMS IPTool software

FOREWORD INFORMATION

IR LED	
LED Number	1
Range	30 m
Smart IR	yes (software support)
INTERFACES	
Audio Input/Output	1 x Jack (3.5 mm)/1 x Jack (3.5 mm) built-in microphone
Network Interface	1 x Ethernet - RJ-45 interface, 10/100 Mbit/s
Memory Card Slot	microSD - capacity up to 256GB
INSTALLATION PARAMETERS	
Dimensions (mm)	95 (Φ) x 83 (H)
Weight	0.5 kg
Degree of Protection	IP 67 (details in the user's manual)
Enclosure	vandalproof IK10 impact rating aluminium, white
Power Supply	12 VDC, PoE (IEEE 802.3af, Class 3)
Surge protection	TVS 4000 V
Power Consumption	6 W, 8 W (IR illuminator on)
Operating Temperature	-30°C ~ 60°C
Humidity	max. 95%, relative (non-condensing)

eng

1.3. Camera dimensions (mm)



1.4. Package contents

After opening the package make sure that the following elements are inside:

- IP camera
- Accessories bag
- Short version of user's manual

If any of this elements has been damaged during transport, pack all the elements back into the original box and contact your supplier for further assistance.

CAUTION!

It is forbidden to use – as the camera power source – PoE equipment (adapters, etc.) not compatible with IEEE 802.3af standard (items called “passive PoE power supply”). Damages caused by the usage of improper power supply source are not covered by the warranty.

START-UP AND INITIAL IP CAMERA CONFIGURATION

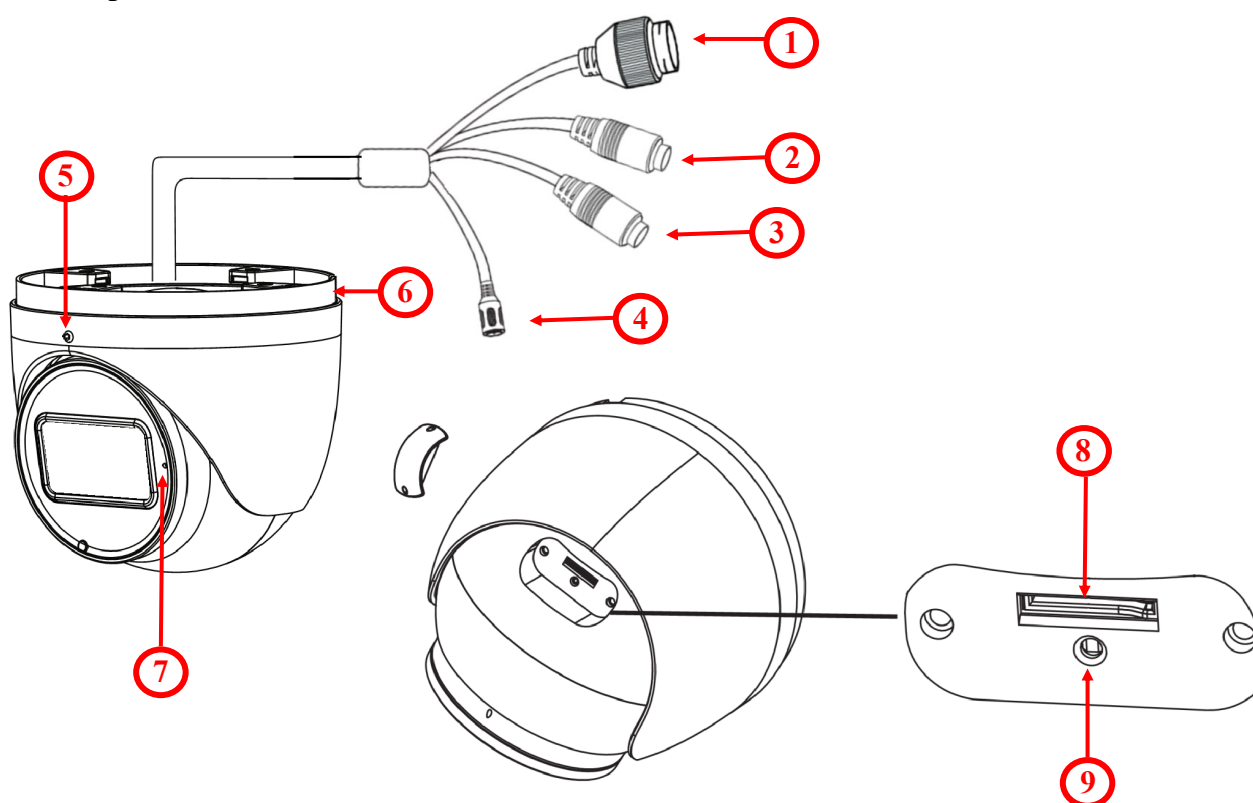
2. START-UP AND INITIAL IP CAMERA CONFIGURATION

CAUTION!

If the device was brought from a location with lower temperature, please wait until it reaches the temperature of location it is currently in. Turning the device on immediately after bringing it from a location with lower ambient temperature is forbidden, as the condensing water vapour may cause short-circuits and damage the device as a result.

Before starting the device familiarize yourself with the description and the role of particular inputs, outputs and adjusting elements that the device is equipped with.

2.1 Description of connectors and control tools



1. Ethernet port 100 Mbit/s (PoE RJ-45 connector)
2. Audio input (Jack 3.5 mm)
3. Audio output (Jack 3.5 mm)
4. Power supply 12VDC
5. Counter nut
6. Base of camera
7. Built-in microphone
8. MicroSD card slot
9. Reset button

START-UP AND INITIAL IP CAMERA CONFIGURATION

2.2. Power supply connection

The camera can be powered from a commercially available DC power supply, provided that it meets the technical requirements of the camera. The source must provide stabilized 12VDC voltage, must allow the consumption of at least 15W of power, and have a barrel DC 2.1/5.5 plug with the correct polarity of the contacts:



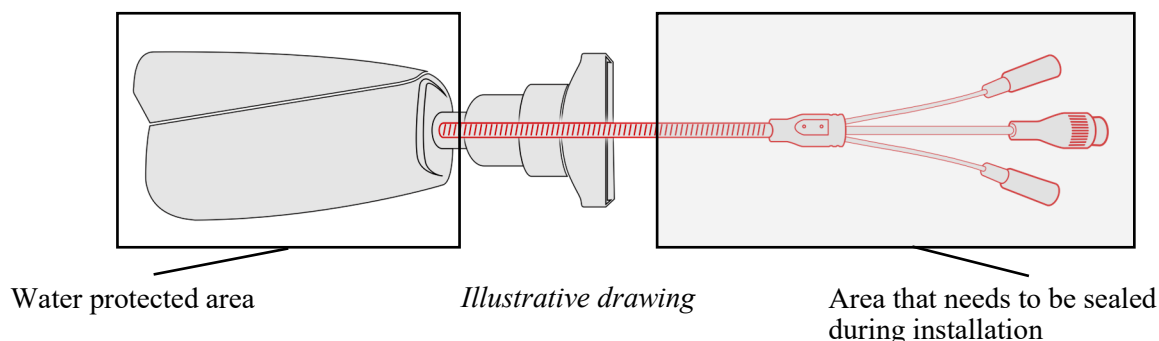
It is also possible to power the camera via the RJ45 network socket, using PoE technology (IEEE 802.3af, Class 3).

Caution!

Do not use power supplies and POE adapters that do not comply with the IEEE 802.3at standard, the so-called "passive POE" power supplies. Damage resulting from the use of an unsuitable adapter is not covered by the warranty!

2.3 Protection against water ingress

The declared degree of protection applies only to camera housing and the location where the connection cable enters the inside of the housing.



This means that the connection cable, including sockets, connectors, switches, buttons, and other elements on this cable, as well as other camera equipment/construction elements (such as hoods, brackets, supports, etc.), are not waterproof. It is the responsibility of the person installing the camera to protect the elements that require it (and in any case the connection cable) against moisture.

The manufacturer is not responsible for any damages or camera malfunctions resulting from failure to comply with the above obligation, which also means that they are not covered by the warranty repairs.

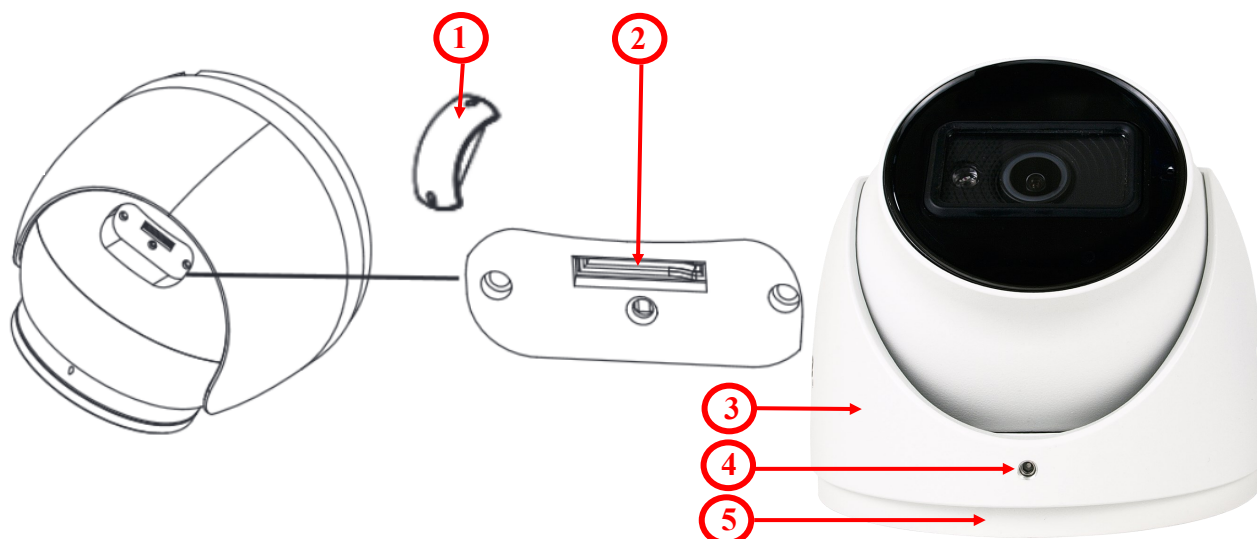
The RJ-45 socket cover included in the camera accessories (depending on the version/model) is not a water protection element. Its purpose is to protect against the ingress of dust and atmospheric moisture into the socket and prevent accidental disconnections by mechanically stabilizing the network plug in the RJ-45 socket.

START-UP AND INITIAL CAMERA CONFIGURATION

2.3. Camera mounting

To mount a camera please follow the instructions below:

- Unscrew the counter screw (4).
- Remove the camera cover (3), remove the camera from the base (5).
- Put the bracket to the wall in a desired mounting place (with cable hole). Take the drill pattern and mark future drilling holes for screws and wires.
- Drill holes for screws, wires and base.
- Mount the camera base (5) using the supplied plugs and screws.
- If necessary, unscrew the camera service panel (1), mount microSD card in the socket (2) and screw the camera service panel (1).
- Connect the camera wires, put camera on the base (5), attach the cover (3) and pre-tighten the counter screw (4).
- Adjust camera position.
- Tighten to the stop counter screw (4).



Caution!

Pay particular attention to the surface to which is attached the camera to have the appropriate capacity.

Caution!

It is recommended to install the camera using one of the dedicated adapters. The use of an adapter allows for an aesthetic camera installation, facilitates later servicing and provides a water-protected space for hiding cables.



Adapters are additional equipment, to be purchased separately. The characteristics and functions of the adapter (such as mounting method, space for cables, etc.) depend on its model. The list of dedicated adapters and their specifications can be found on the camera's catalog card under the "Related Products" tab

START-UP AND INITIAL CAMERA CONFIGURATION

2.4. Starting the IP camera

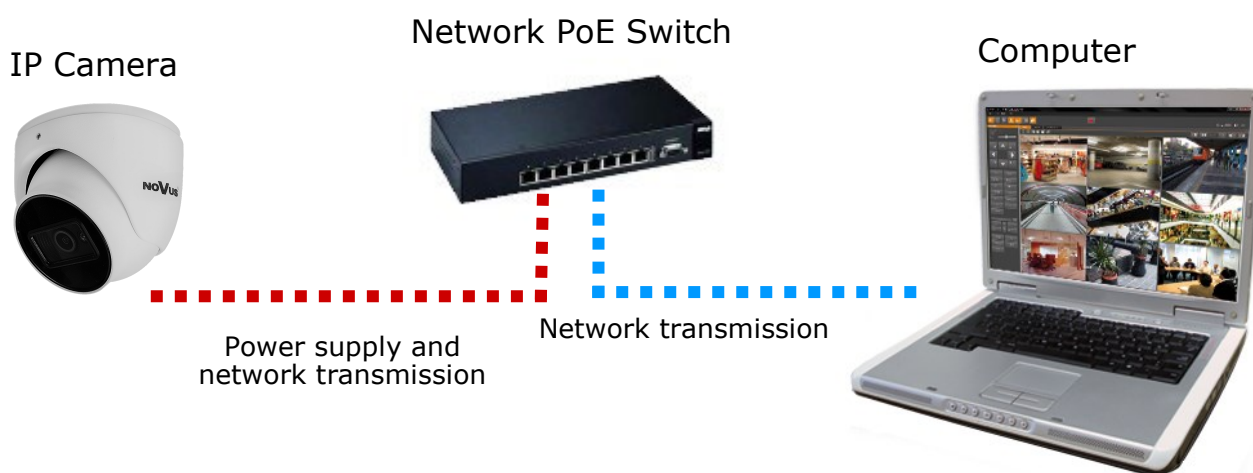
To run NOVUS IP camera you have to connect ethernet cable between camera and network PoE switch with PoE support (IEEE 802.3af).

You can also power it from 12VDC power supply compatible with camera power supply specification.

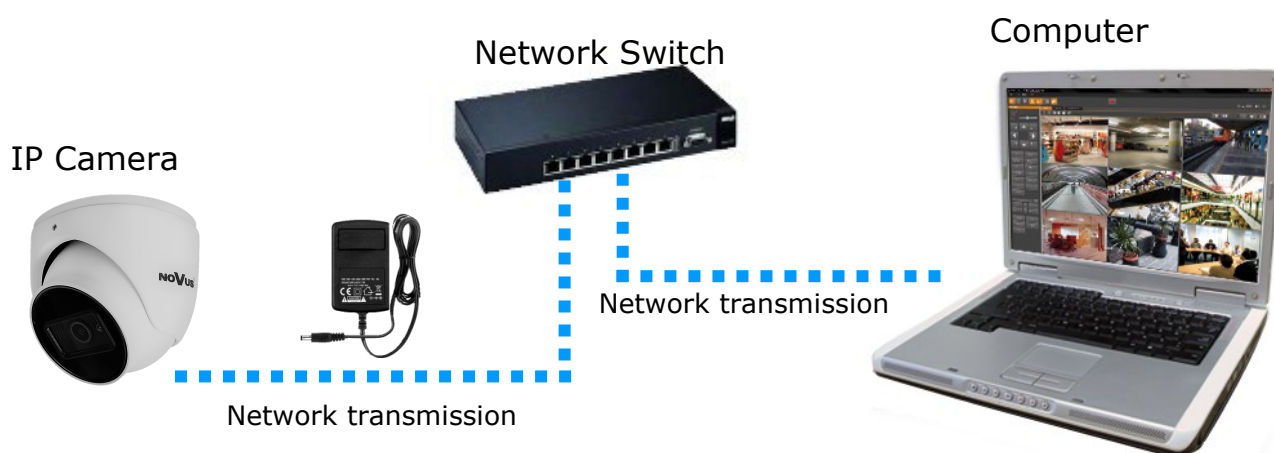
The recommended way to start an IP camera and perform its configuration is a direct connection to the network switch which is not connected to other devices. To obtain further information about network configuration parameters (IP address, gateway, network mask, etc.) please contact your network administrator.

eng

- Connection using network switch with PoE support



- Connection using external power supply and network switch



START-UP AND INITIAL CAMERA CONFIGURATION

- Connection using external power supply directly to the computer

IP Camera



Computer



Network transmission - cross over cable

Information:

Power supply adapter is not included. Please use power adapter with parameters specified in user 's manual.

2.5. Initial configuration via the web browser

The default network settings for camera are :

1. IP address - **192.168.1.200**
2. Network mask - **255.255.255.0**
3. Gateway - **192.168.1.1**

Knowing the camera's IP address you need to appropriately set PC IP address, so the two devices can operate in one network subnet (e.g. for IP 192.168.1.1, appropriate address for the camera ranges from 192.168.1.2 to 192.168.1.254, for example 192.168.1.60). It is not allowed to set the same addresses for camera and PC computer.

You can either set a network configuration (IP address, gateway, net mask, etc.) of NOVUS IP camera yourself or select DHCP mode (DHCP server is required in this method in target network) by using web browser or by NMS software. When you use DHCP server check IP address lease and its linking with camera MAC address to avoid changing or losing IP address during device operation or network/DHCP server breakdown. You have to remember to use a new camera IP address after changing network parameters.

After network setting configuration has been done, the camera can be connected to a target network.

START-UP AND INITIAL CAMERA CONFIGURATION

2.6. Security recommendations for network architecture and configuration

CAUTION!

Below are shown security recommendations for network architecture and configuration of CCTV systems that are connected to the Internet to reduce the risk of unauthorized interference with the system by a third party.

1. Absolutely change the default passwords and user names (if the device gives this possibility) of all applied network devices (recorders, cameras, routers, network switches, etc.) to the severely complexity password. Use lowercase and uppercase letters, numbers, and special characters if there is such possibility.
2. Depending on the available functionality in the order to restrict access to the used network devices at the administrator account level, it is recommended to configure the users accounts accordingly.
3. Do not use DMZ function (Demilitarized zone) in your router. Using that function you open the access to recorder system from the Internet on all ports, which gives possibility for an unauthorized interference with the system.

Instead of DMZ use port forwarding redirect only the ports which are necessary for the performance of the connection (detailed information about ports of communication in different models of recorders, cameras, etc. can be found in the operating instructions).

4. Use routers with firewall function and make sure it is enabled and properly configured.
5. It is recommended to change the default network communication port numbers of used devices if there is such possibility.
6. If used network devices has a UPnP feature and it is not used, turn it off.
7. If used network devices has a P2P feature and it is not used, turn it off.
8. If used network devices support HTTPS protocol for connection, it is recommended to use it.
9. If used network devices support IP filtering for authorized connections function, it is recommended to use it.
10. If used recorder has two network interfaces it is recommended to use both of them to physically separate network for cameras and network for Internet connection. The only device in the system, accessible from Internet will be recorder - there will be no physically access directly to any camera.

NETWORK CONNECTION USING WEB BROWSER

3. NETWORK CONNECTION USING WEB BROWSER

3.1. Recommended PC specification for web browser connections

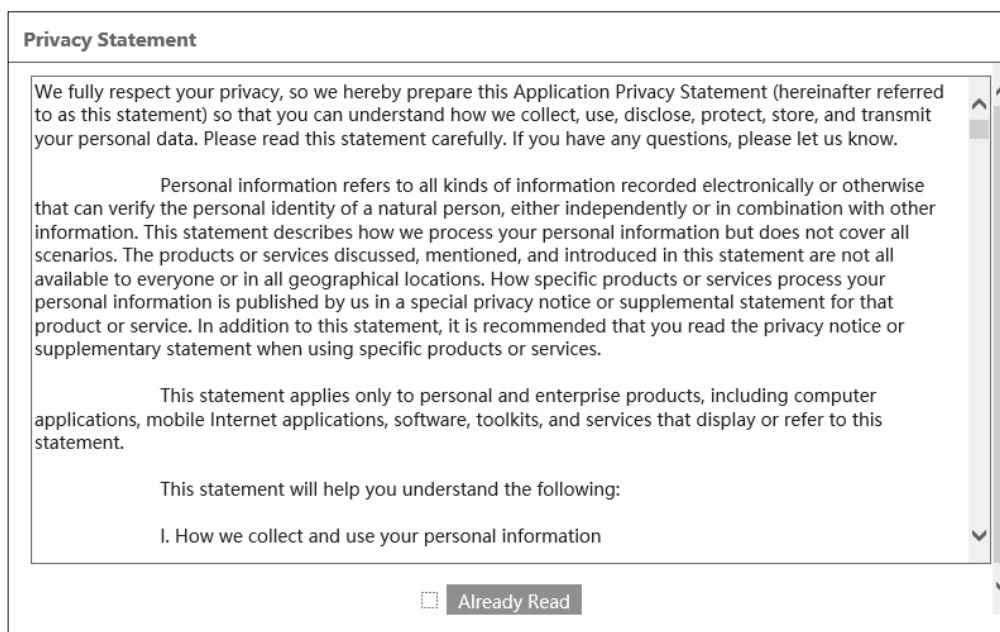
Requirements below apply to connection with an IP camera, assuming smooth image display in 3296 x 1856 resolution and 30 fps speed.

1. CPU **Intel i7 3 GHz**
2. RAM Memory **min. 6 GB**
3. VGA card **Nvidia GeForce 1GB**
4. Operating System **Windows 10**
5. Network card **100/1000 Mb/s**

3.2. Connection with IP camera via web browser

- Connecting to the camera for the first time

Enter the IP address of the camera (default **192.168.1.200**) in the address bar of the web browser. If the address is correct and the target device is currently available, the first connection window will be displayed. In this window, user should read the privacy statement and after reading it, select the checkbox next to the **Already Read** button, and press this button.



The acceptance of the privacy statement cannot be omitted. This window only appears the first time you log in, but it can be displayed again at any time.

Access to the privacy statement can be found in the menu **Config > System > Basic information > Privacy statement**.

NETWORK CONNECTION USING WEB BROWSER

- Initial settings

Standards such as time zone, time format or frequency depend on the country in which the camera will be used. For this reason, at the activation stage, user selects a country and the next window shows the typical settings for that country.

- Security questions

The next step in logging in for the first time is entering answers to the security questions.

In the window that appears, select questions from among those available on the list and enter your own answers.

Knowing the right answers is essential to recovering the administrator password.



This step cannot be omitted.

The security question window is displayed only during the first login, and the only possibility to change the given answers is to restore the factory settings and go through all stages of the first connection with the camera.

Config

- Albania
- Cyprus
- Israel
- Hungary
- Italy
- Macedonia
- Poland
- Portugal
- Brazil
- Angola

Config

Frequency	50HZ
Zone	GMT+01 (Amsterdam, B
Date Format	DD-MM-YYYY

Security Question

⚠ When the password is lost, you can reset it through the security question answer. If there is no security question answer, you need to restore the IPC to the factory before continuing to use it. It is recommended to fill it out.

Security Question1	Your seniors school name
Answer	
Security Question2	Your juniors school name:
Answer	
Security Question3	Your birthplace?
Answer	

Back
Next
skip

eng

NETWORK CONNECTION USING WEB BROWSER

- Device Activation

After accept privacy statement, device activate window appears. In this window user has to set a password for the **web account**.

Check the "Change the Onvif password as well" checkbox to change the password for the Onvif account to the same password as for the web account.

Device Activation

User Name

Change the Onvif password as well

New Password

8~16 characters; Numbers, special characters, upper case letters and lower case letters must be included.

Confirm Password



If the user assigns a new password during the device activation but does not check the "Change the Onvif password as well" checkbox, the Onvif account will remain with the default login data (login: *root* and password: *pass*).

The password can be up to 16 characters long. While password is entered strength of it displaying on an ongoing basis by the security level indicator. To ensure the good security of the password, use upper and lower case letters, numbers and special characters. After entering the correct password twice and confirming it with the **OK** button, the administrator password will be saved, the window will close and the login screen will be displayed.

- User accounts

The Web account is the administrator account created during the activation of the device. It means that the user logging in, by using the **root** login and a predefined password and have access to the full functionality and all available settings in the camera. The account is also used to log in to the camera via the 6000 series network recorders and NOVUS MANAGEMENT SYSTEM VSS and NOVUS MANAGEMENT SYSTEM AC (software using the LongPolling event method).

The Onvif account is an account used to log in to the camera via the NOVUS MANAGEMENT SYSTEM VSS and NOVUS MANAGEMENT SYSTEM AC software or using the Onvif or the RTSP protocol. This account is created automatically during activation of the device, and the default login data are login: "root" and password: "pass".



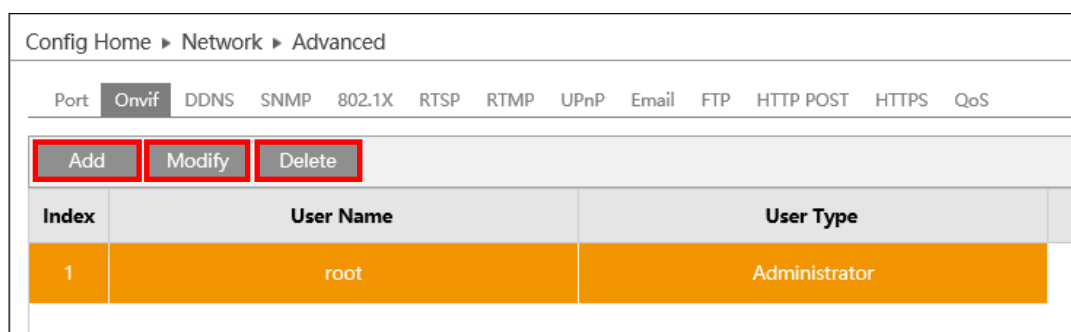
For security reasons, immediately change the default password for the Onvif account after activating the device. It is recommended to set the same password in both accounts: the Onvif account and the web account.

NETWORK CONNECTION USING WEB BROWSER

- Onvif account edition

In order to change the Onvif account password, after logging in, go to the **Settings** tab in the upper right corner and then **Network > Onvif**.

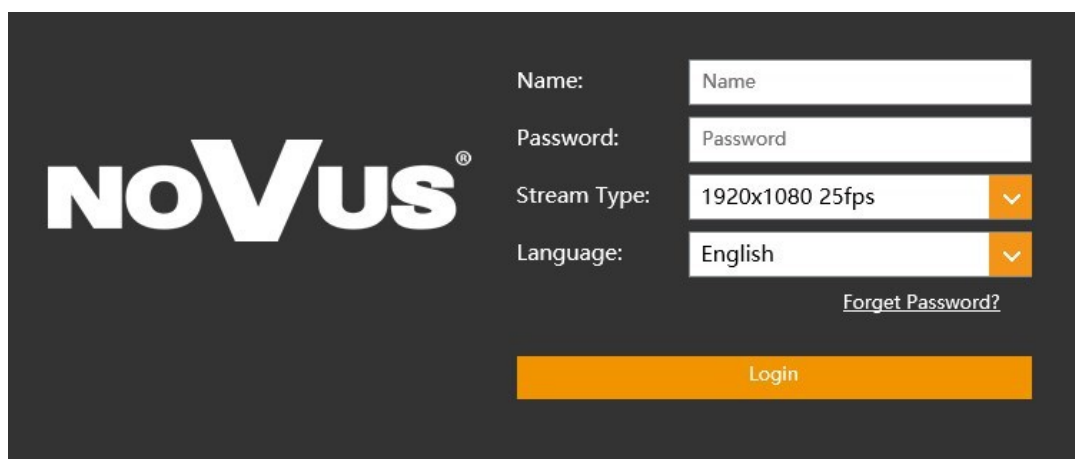
In the **Onvif** tab, click the **Modify** button, then in the **Edit User** window, enter the new password and confirm with **OK** button. If the connection to the camera via the NOVUS MANAGEMENT SYSTEM software is using the LongPolling event handling method, the same password for the Onvif account as for the Web account must be set in this step.



Index	User Name	User Type
1	root	Administrator

In order to delete the Onvif account, select the user by clicking on the appropriate row in the table, then click **Delete** button. Please note that deleting Onvif account means that the camera cannot be added to NOVUS MANAGEMENT SYSTEM software. **Add** button is used to create new Onvif account.

- Logging in to the camera for the first time



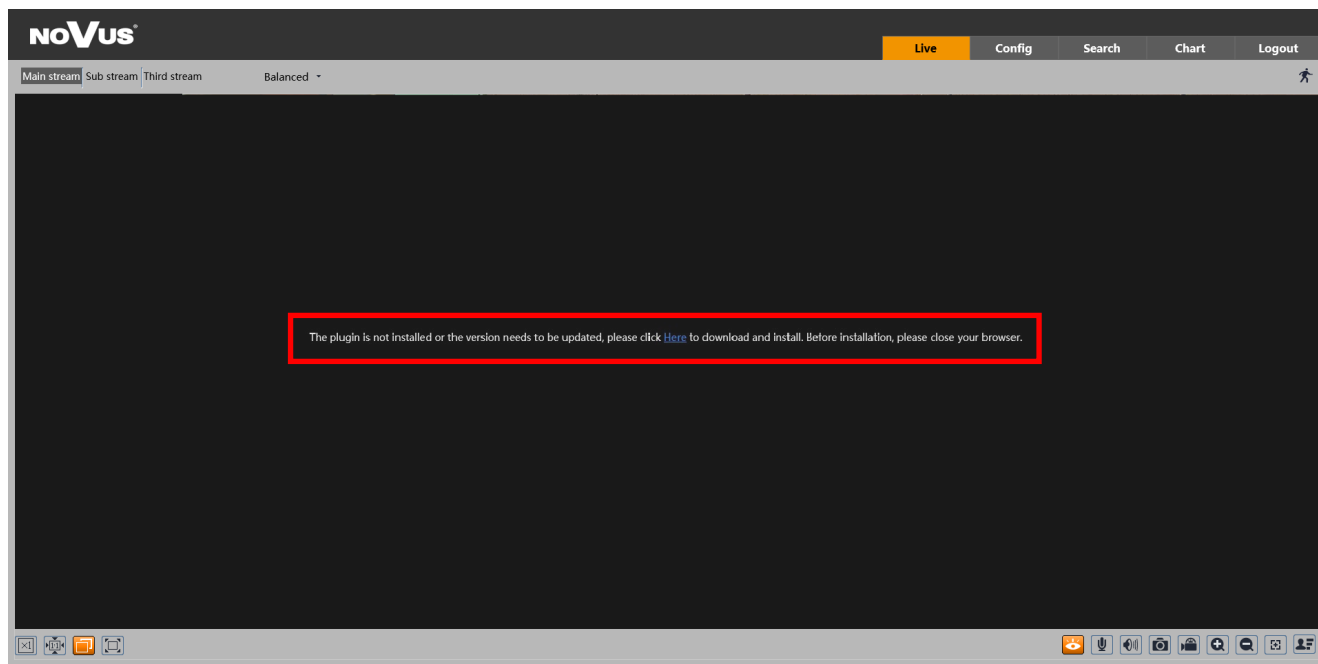
In this window, in order to login to camera, enter the user name **root** and the newly set administrator password. In the **Stream type** field user can select the stream that is displayed in the live view window after login. The **Language** field allows to change the interface language. The **Forget Password** option allows to log in to the camera if you forget the administrator password and for this is required to know the answers to the security questions (set in the next step).

After entering appropriate data, click the **Login** button to login to the web panel of the camera.

NETWORK CONNECTION USING WEB BROWSER

- Plug-in installation

If the browser has no connected to any of the 6000 series cameras so far, or if an older version of the plug-in is installed, a message will be displayed in the remote viewing window that the appropriate plug-in version must be installed.



The plugin is not installed or the version needs to be updated, please click [Here](#) to download and install. Before installation, please close your browser.

To start plug-in installation, click **Here** button. Then the browser displays a window asking how to proceed with the **NetAIIPCamera.exe** file. Press the **Run** button to start the plug-in installer.

In the installer window, select the installation language (English by default) and then click **Install** button to install plug-in. After installation click the **Finish** button to close the installer and refresh the browser window (you can also close and restart the browser).

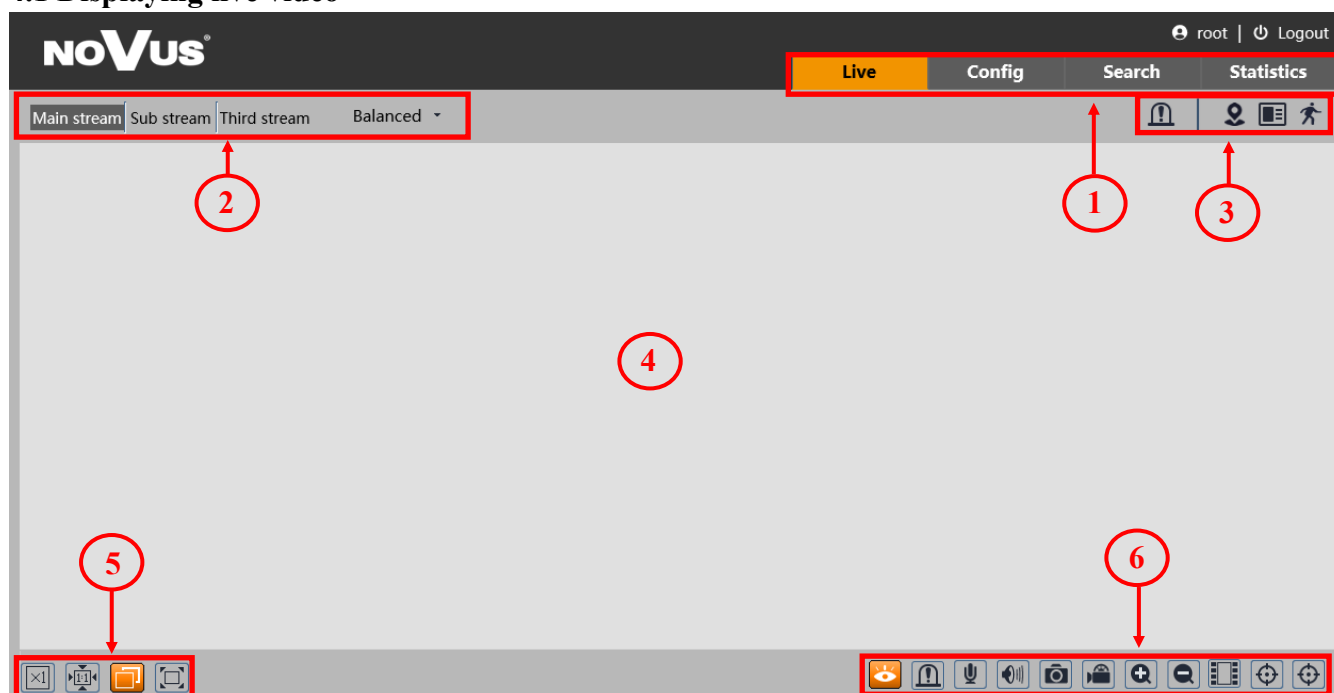
If after installation and browser window refresh, the same text appears on the screen, go to the browser **Tools** (the gearwheel icon in the top right corner), then click **Manage add-ons**. In the window that appears click right mouse button on the **NetAIIPCamera Control**, then click the **Enable** option and refresh the browser window.

After completion all of the above steps, preview of the camera in the live view window should appear.

WWW INTERFACE - WORKING WITH IP CAMERA

4. WWW INTERFACE - WORKING WITH IP CAMERA

4.1 Displaying live video



eng

1. Camera menu:

- *Live* - opens the camera live video,
- *Config* - opens the camera configuration menu,
- *Search* - opens the camera playback,
- *Statistics* - opens a window with counting statistics and heat maps,

2. The buttons for changing the displayed stream and fluency:

- Allow to change the displayed stream to *Main stream* or *Sub stream*
- Allow you to choose between *Real-time*, *Balanced* and *Fluent* fluency.

3. Alarm icons - icons showing the current status of some camera alarms and alarm output.

4. Live video window

5. Image settings buttons - these buttons change the picture display mode in the live video preview



Original size



Adapt



Proper size



Full screen

ELECTRIC CONNECTORS AND ACCESORIES

6. Function buttons:



Start/stop live view



Enable/disable audio



Snapshot



Start Recording



Zoom In (digital)



Zoom out (digital)



Enable/disable graphical representation of image analysis



Show metadata panel



Enable alarm output



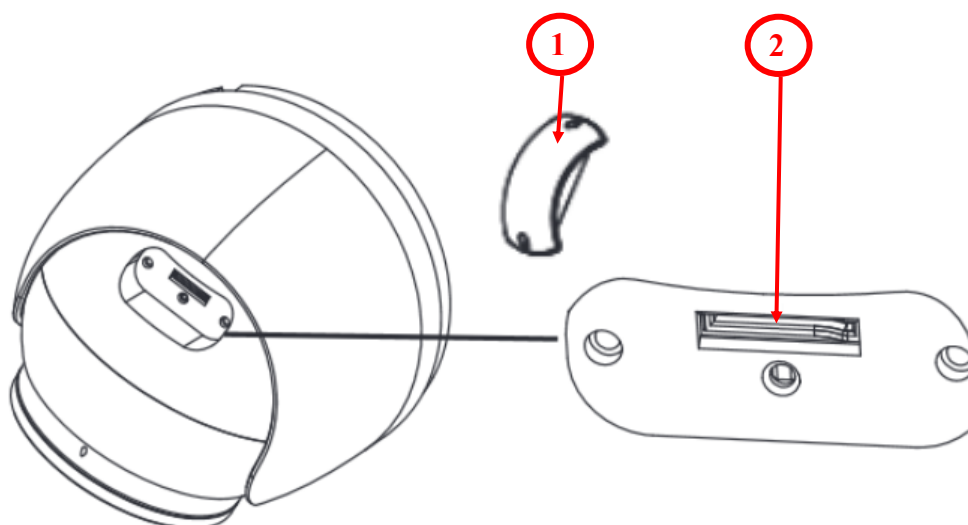
Enable two-way audio

5. ELECTRIC CONNECTORS AND ACCESORIES

5.1. MicroSD card installation

Camera supports microSD cards up to a maximum size of 256GB. In order to install the card properly, please follow the instructions below:

- Turn off the camera power.
- Unscrew the camera service panel (1).
- Mount microSD card in the socket (2).
- Screw the camera service panel (1).
- Turn on the camera.
- Check the SD card by checking its capacity in the “System” -> “SD Card” tab.



FACTORY SETTINGS RESTORING

6. FACTORY SETTINGS RESTORING


Restoring factory settings of the IP camera restores all default settings. This process takes about two minutes. NOVUS cameras allow to restore defaults via:

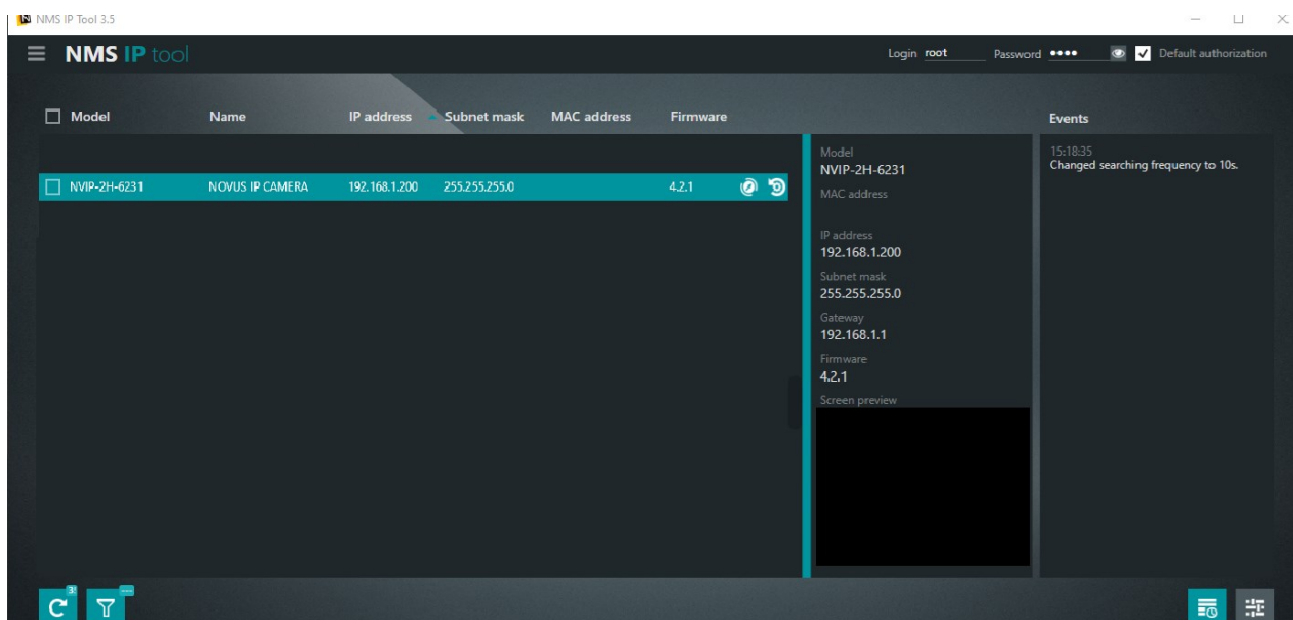
- software (via web browser)
- software (via NMS IPTool)
- software (via IP Tool 6000)
- hardware (using reset button (*RST*))
-

6.1. Software factory settings restoring via web browser

Restoring factory settings via web browser allows you to optionally keep some settings, such as network settings. To restore default settings go to: “Maintenance -> Backup and Restore” tab.

6.2. Software factory settings restoring via NMS IPTool

NMS IPTool (version 3.5 or later) allows to restore factory settings. To restore settings via NMS IPTool, find the camera in the list of available devices and then, on the right side of the row click . Then within 30 seconds disconnect power of the camera. After reconnecting the camera, all settings are factory default.

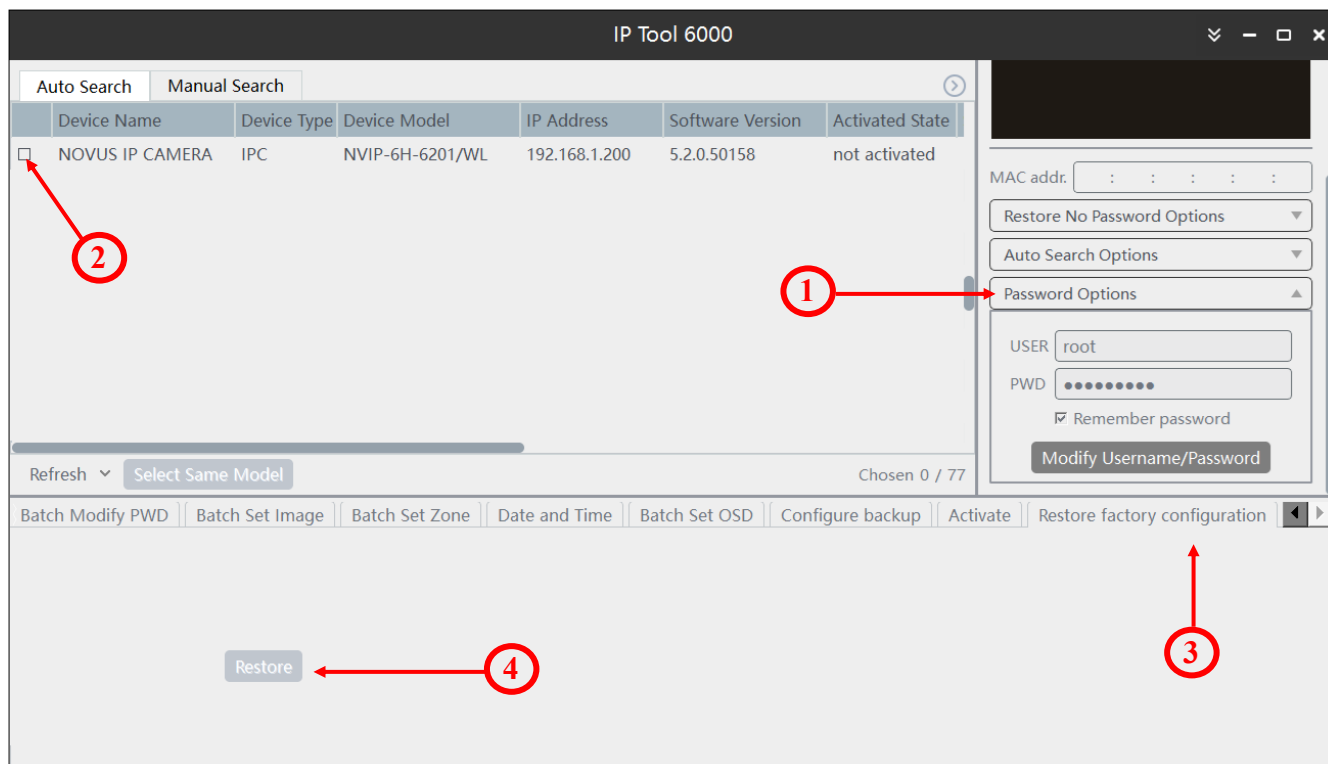


FACTORY SETTINGS RESTORING

6.3. Software factory settings restoring via IP Tool 6000

IP Tool 6000 is a very useful tool for activating and configuring the settings of one or more 6000 series cameras at once. This software is available for download in the novusctv.com in the **Downloadable Files** tab of the data sheet of the camera to which this manual applies.

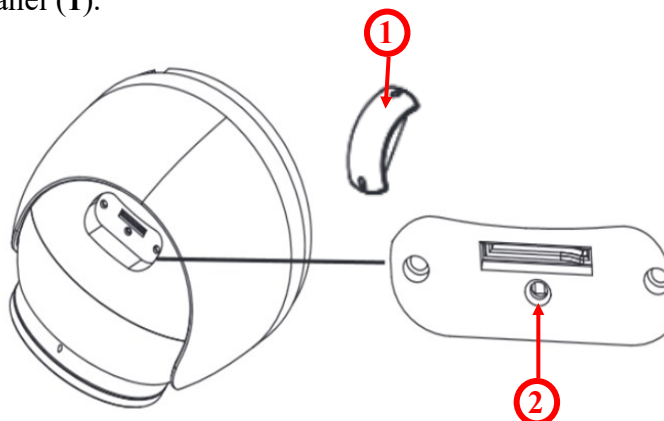
To restore the factory settings of the camera, in the **Password Options** field (1), enter the login and password for the camera, then check the checkbox (2) next to the selected camera, go to the tab **Restore factory configuration** (3) and click the **Restore** button (4).



6.4. Hardware factory settings restoring

In order to restore factory settings using reset button (*RST*), please follow the instructions below:

- Unscrew the camera service panel (1).
- Press the reset button (2) and hold on for 10 seconds.
- Release button and screw the camera service panel (1).
- Log on after 2 minutes using default IP address (<http://192.168.1.200>) and default user name (**root**) and password (**pass**).



noVus[®]

AAT SYSTEMY BEZPIECZEŃSTWA Sp. z o.o.
431 Puławska St., 02-801 Warsaw, Poland
tel.: +4822 546 0 546, kontakt@aat.pl
www.novuscctv.com

2024-06-05 DK MK

Skrócona instrukcja obsługi



NVIP-6VE-6501 / F

NOVUS[®]

UWAGI I OSTRZEŻENIA

PRODUKT SPEŁNIA WYMAGANIA ZAWARTE W DYREKTYWACH:



DYREKTYWA PARLAMENTU EUROPEJSKIEGO I RADY 2014/30/UE z dnia 26 lutego 2014 r. w sprawie harmonizacji ustawodawstw państw członkowskich odnoszących się do kompatybilności elektromagnetycznej (Dz.U. L 096 z 29.3.2014, s. 79—106, z późniejszymi zmianami) – zwana Dyrektywa EMC



DYREKTYWA PARLAMENTU EUROPEJSKIEGO I RADY 2012/19/UE z dnia 4 lipca 2012 r. w sprawie zużytego sprzętu elektrycznego i elektronicznego (WEEE) Dz.U. L 96 z 29.3.2014, str. 79—106, z późniejszymi zmianami) – zwana Dyrektywa WEEE



DYREKTYWA PARLAMENTU EUROPEJSKIEGO I RADY 2011/65/UE z dnia 8 czerwca 2011 r. w sprawie ograniczenia stosowania niektórych niebezpiecznych substancji w sprzęcie elektrycznym i elektronicznym (Dz.U. L 174 z 1.7.2011, str. 88—110, z późniejszymi zmianami) - zwana Dyrektywa RoHS

Informacja

Urządzenie, jako element profesjonalnego systemu telewizji dozorowej służącego do nadzoru i kontroli, nie jest przeznaczone do samodzielnego montażu w gospodarstwach domowych przez osoby nie posiadające specjalistycznej wiedzy.

Wyłączenie odpowiedzialności w przypadku uszkodzenia danych zawartych na dysku lub innych urządzeniach:

Producent nie ponosi odpowiedzialności w razie uszkodzenia lub utraty w trakcie eksploatacji Produktu danych zawartych na dyskach lub innych urządzeniach.

Obowiązek konsultowania się z Producentem przed wykonaniem czynności nieprzewidzianej instrukcją obsługi albo innymi dokumentami:

Przed wykonaniem czynności, która nie jest przewidziana dla danego Produktu w instrukcji obsługi, innych dokumentach dołączonych do Produktu lub nie wynika ze zwykłego przeznaczenia Produktu, należy, pod rygorem wyłączenia odpowiedzialności Producenta za następstwa takiej czynności, skontaktować się z Producentem.



Zamieszczone w niniejszej publikacji zdjęcia przedstawiające obrazy z kamer mogą być symulacjami. Rzeczywiste obrazy z kamer mogą się różnić, w zależności od typu, modelu, ustawień, obszaru obserwacji lub warunków zewnętrznych.

WARUNKI BEZPIECZEŃSTWA

UWAGA!

ZNAJOMOŚĆ NINIEJSZEJ INSTRUKCJI JEST NIEZBĘDNYM WARUNKIEM PRAWIDŁOWEJ EKSPLOATACJI URZĄDZENIA. PROSIMY O ZAPOZNANIE SIĘ Z NIM PRZED PRZYSTĄPIENIEM DO INSTALACJI I OBSŁUGI URZĄDZENIA.

UWAGA!

NIE WOLNO DOKONYWAĆ ŻADNYCH SAMODZIELNYCH NAPRAW. WSZYSTKIE NAPRAWY MOGĄ BYĆ REALIZOWANE JEDYNIEM PRZEZ WYKWALIFIKOWANYCH PRACOWNIKÓW SERWISU.

1. Przed zainstalowaniem i rozpoczęciem eksploatacji należy dokładnie zapoznać się z niniejszą instrukcją obsługi i zawartymi w niej wymogami bezpieczeństwa;
2. Uprasza się o zachowanie instrukcji na czas eksploatacji kamery na wypadek konieczności odniesienia się do zawartych w niej treści;
3. Należy skrupulatnie przestrzegać wymogów bezpieczeństwa opisanych w instrukcji, gdyż mają one bezpośredni wpływ na bezpieczeństwo użytkowników i trwałość oraz niezawodność urządzenia;
4. Wszystkie czynności wykonywane przez instalatorów i użytkowników muszą być realizowane zgodnie z opisem zawartym w instrukcji;
5. W czasie czynności konserwatorskich urządzenie musi być odłączone od zasilania;
6. Nie wolno stosować żadnych dodatkowych urządzeń lub podzespołów nie przewidzianych i nie zalecanych przez producenta;
7. Nie wolno używać kamery w środowisku o dużej wilgotności (np. w pobliżu basenów, wani, w wilgotnych piwnicach);
8. Nie należy instalować tego urządzenia w miejscu, gdzie nie można zapewnić właściwej wentylacji (np. zamknięte szafki, itp.), co powoduje zatrzymanie się ciepła i w konsekwencji może doprowadzić do uszkodzenia;
9. Nie wolno umieszczać kamery na niestabilnych powierzchniach. Kamera musi być instalowana przez wykwalifikowany personel o odpowiednich uprawnieniach według zaleceń podanych w niniejszej instrukcji;
10. Urządzenie może być zasilane jedynie ze źródeł o parametrach zgodnych ze wskazanymi przez producenta w danych technicznych. Dlatego też, zabrania się zasilania kamery ze źródeł o nieznanym, niestabilnym lub niezgodnym z wymaganiami określonymi przez producenta parametrach

Ponieważ produkt jest stale ulepszany i optymalizowany niektóre parametry i funkcje opisane w załączonej instrukcji mogły ulec zmianie.

Prosimy o zapoznanie się z najnowszą instrukcją obsługi znajdującą się na stronie www.novuscctv.com

Instrukcja obsługi znajdującą się na stronie www.novuscctv.com jest zawsze najbardziej aktualną wersją.

SPIS TREŚCI

SPIS TREŚCI	4
1. INFORMACJE WSTĘPNE	5
1.1. Charakterystyka ogólna	5
1.2. Dane techniczne	6
1.3. Wymiary kamery	7
1.4. Zawartość opakowania	7
2. URUCHAMIANIE I WSTĘPNA KONFIGURACJA KAMERY IP	8
2.1. Opis złączy elektrycznych oraz elementów regulacyjnych	8
2.2. Podłączenie kabla sieciowego	9
2.3. Podłączenie zasilania	9
2.3. Montaż kamery	10
2.4. Uruchomienie kamery IP	11
2.5. Konfiguracja parametrów przy użyciu przeglądarki internetowej	12
2.6. Zalecenia dotyczące bezpieczeństwa sieci	13
3. POŁĄCZENIA SIECIOWE ZA POMOCĄ PRZEGLĄDARKI WWW	14
3.1. Zalecana konfiguracja komputera PC do połączeń przez przeglądarkę WWW	14
3.2. Połączenie sieciowe z kamerą IP za pomocą przeglądarki internetowej	14
4. INTERFEJS WWW - PRACA Z KAMERA	19
4.1. Wyświetlanie obrazu na żywo	19
5. POŁĄCZENIA ELEKTRYCZNE I ZŁĄCZA AKCESORIÓW	20
5.1. Instalacja karty Micro SD	20
6. PRZYWRACANIE USTAWIEŃ FABRYCZNYCH KAMERY	21
6.1. Programowe przywracanie ustawień fabrycznych kamery	21
6.2. Przywracanie ustawień fabrycznych z poziomu NMS IPTool	21
6.3. Przywracanie ustawień fabrycznych z poziomu IP Tool 6000	22
6.4. Sprzętowe przywracanie ustawień fabrycznych kamery	22

INFORMACJE WSTĘPNE

1. INFORMACJE WSTĘPNE

1.1. Charakterystyka ogólna

- Rozdzielczość przetwornika: 6 megapiksele
- Mechaniczny filtr podczerwieni (możliwość pracy w podczerwieni)
- Czułość od 0 lx przy włączonym oświetlaczu IR
- Szeroki zakres dynamiki (WDR 120dB) - funkcja poprawiająca jakość obrazu dla różnych poziomów oświetlenia sceny
- Cyfrowa redukcja szumu (DNR)
- Funkcja defog (F-DNR)
- Redukcja efektu oślepienia kamery (HLC)
- Kompensacja tylnego światła (BLC)
- Redukcja migotania obrazu (Antiflicker)
- Obiektyw stałogniskowy, $f = 2.8 \text{ mm}/F1.6$
- Wbudowany oświetlacz podczerwieni
- Wbudowany webserwer: możliwość konfiguracji kamery przez przeglądarkę
- Kompresja H.264, H.265, H.264+, H.265+, MJPEG / G.711
- Rozdzielczość przetwarzania wideo do 3296 x 1856
- Możliwość definiowania kompresji, rozdzielczości, prędkości i jakości dla każdego strumienia
- Obszar obserwacji ROI
- Strefy prywatności
- Przesyłanie wideo w standardzie RTSP
- Funkcja harmonogramu
- Wspieranie obsługi karty Micro SD, pojemność do 256 GB
- Możliwość szerokiego definiowania reakcji systemu na zdarzenia alarmowe: e-mail z załącznikiem, zapis pliku na serwer FTP, zapis zdjęcia na karcie microSD
- Elektroniczna migawka od 1/4 s do 1/100 000 s.
- Obsługa do 3 strumieni
- Wsparcie protokołu ONVIF
- Oprogramowanie: NMS (NOVUS MANAGEMENT SYSTEM) - do rejestracji wideo, podglądu „na żywo”, odtwarzania oraz zdalnej konfiguracji urządzeń wideo IP
- Zasilanie 12 VDC / PoE
- Zaawansowane funkcje analizy obrazu: sabotaż, pozostawienie obiektu, zniknięcie obiektu, przekroczenie linii, wkroczenie do strefy, wyjście ze strefy, detekcja wałęsania, detekcja twarzy, detekcja osób nienoszących maski, zliczanie przekroczeń linii, mapa ciepła, zmiana sceny, utrata ostrości, zmiana kolorystyki, rozróżnianie obiektów, zliczanie osób, zliczanie pojazdów, wtargnięcie, statystyki obszaru, metadane wideo, wykrywanie nielegalnego parkowania

INFORMACJE WSTĘPNE

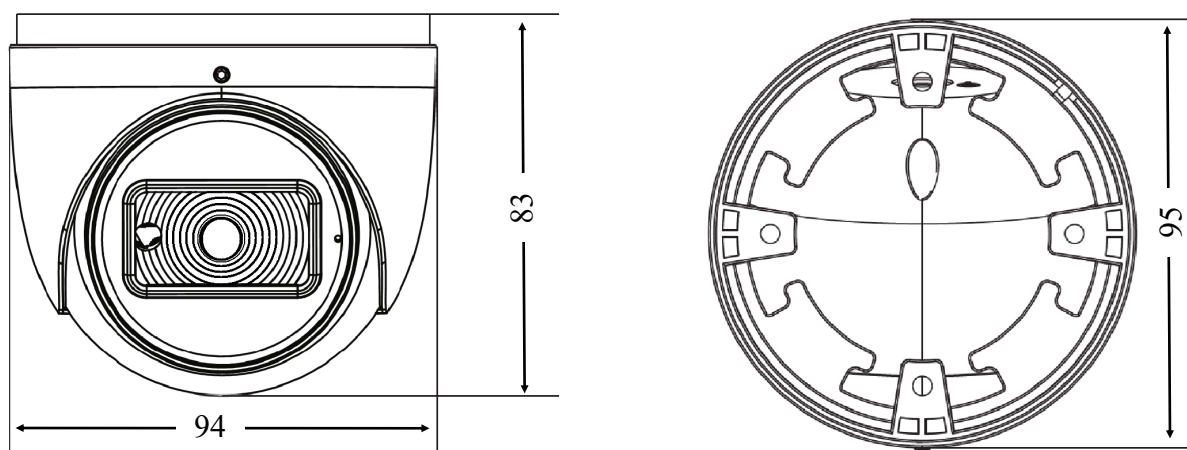
1.2. Dane techniczne

OBRAZ	
Przetwornik obrazu	6 MPX, matryca CMOS, 1/2.5", SmartSens
Czułość	0.008 lx/F1.6 - tryb kolorowy, 0 lx (IR wł.) - tryb czarno-biały
Elektroniczna migawka	automatyczna: 1/4 s ~ 1/100000 s
Szeroki zakres dynamiki (WDR)	tak 120dB
Cyfrowa redukcja szumu (DNR)	3D
Funkcja Defog (F-DNR)	tak
Redukcja efektu oślepienia kamery (HLC)	tak
Kompensacja tylnego światła (BLC)	tak
Redukcja migotania obrazu (Antiflicker)	tak
OBIEKTYW	
Typ obiektywu	stałogniskowy, f=2.8 mm/F1.6
DZIEŃ/NOC	
Rodzaj przełączania	mechaniczny filtr podczerwieni
Tryb przełączania	automatyczny, manualny, czasowy
Regulacja poziomu przełączania	tak
Opóźnienie przełączania	2 ~ 120 s
Harmonogram przełączania	tak
Czujnik światła widzialnego	tak
SIEĆ	
Rozdzielczość strumienia wideo	3200 x 1800 (QHD+), 2688 x 1520, 1920 x 1080 (Full HD), 1280 x 720 (HD), 704 x 576, 640 x 480 (VGA), 480 x 240, 352 x 288 (CIF), 3296 x 1856, 2880 x 1624
Prędkość przetwarzania	30 kl/s dla wszystkich rozdzielczości
Tryb wielostrumieniowy	3 strumienie
Kompresja wideo/audio	H.264, H.264+, H.265, H.265+, MJPEG / G.711
Liczba jednoczesnych połączeń	maks. 10
Przepustowość	łącznie 62 Mb/s
Obsługiwane protokoły sieciowe	HTTP, IPv4, IPv4/v6, UDP, HTTPS, FTP, DHCP, DDNS, NTP, RTSP, RTP, UPnP, SNMP, QoS, IEEE 802.1X, PPPoE, SMTP, RTCP, HTML5, RTMP
Konfiguracja kamery	z poziomu przeglądarki Internet Explorer, Edge, Firefox, Chrome, Opera, Safari języki: polski, angielski, i inne
Kompatybilne oprogramowanie	NOVUS MANAGEMENT SYSTEM VSS, NOVUS MANAGEMENT SYSTEM AC, N Control 6000
Aplikacje mobilne	N-VID6 (iPhone, Android)
POZOSTAŁE FUNKCJE	
Strefy prywatności	4 typu kolor lub 4 typu mozaika
Detekcja ruchu	tak
Obszar obserwacji (ROI)	8
Detekcja Audio	tak
Analiza obrazu	sabotaż, pozostawienie obiektu, zniknięcie obiektu, przekroczenie linii, wkroczenie do strefy, wyjście ze strefy, zliczanie obiektów, detekcja wałęsania, niedozwolone parkowanie, detekcja twarzy, detekcja osób nienoszących maski, zliczanie przekroczeń linii, mapa ciepła, zmiana sceny, utrata ostrości, zmiana kolorystyki, rozróżnianie obiektów, zliczanie osób, zliczanie pojazdów, wtargnięcie, statystyki obszaru, metadane wideo
Obróbka obrazu	obrót obrazu o 180°, wyostrzenie, odbicie lustrzane, tryb korytarzowy, przerzucenie obrazu w pionie, przerzucenie obrazu w poziomie, korekcja efektu dystorsji obiektywu
Prealarm/postalarm	do 6 s/do 120 s
Reakcja na zdarzenia alarmowe	e-mail, e-mail z załącznikiem, zapis na FTP, zapis na kartę SD, aktywacja wyjścia alarmowego
Przywracanie ustawień fabrycznych	z poziomu przeglądarki internetowej, za pomocą przycisku reset, za pomocą oprogramowania NMS IPTool

INFORMACJE WSTĘPNE

OŚWIETLACZ IR	
Liczba LED	1
Zasięg	30 m
Smart IR	tak (wsparcie programowe)
INTERFEJSY	
Wejścia/wyjścia audio	1 x Jack (3.5 mm)/1 x Jack (3.5 mm) wbudowany mikrofon
Interfejs sieciowy	1 x Ethernet - złącze RJ-45, 10/100 Mbit/s
Gniazdo kart pamięci	microSD - pojemność do 256GB
PARAMETRY INSTALACYJNE	
Wymiary (mm)	95 (Φ) x 83 (wys.)
Masa	0.5 kg
Klasa szczelności	IP 67 (szczegóły w instrukcji obsługi)
Obudowa	wandaloodporna stopień ochrony IK10 aluminiowa, w kolorze białym
Zasilanie	12 VDC, PoE (IEEE 802.3af, Klasa 3)
Zabezpieczenia przeciwprzepięciowe	TVS 4000 V
Pobór mocy	6 W, 8 W (oświetlacz IR wł.)
Temperatura pracy	-30°C ~ 60°C
Wilgotność	maksymalnie 95%, względna (bez kondensacji)

1.3. Wymiary kamery (mm)



1.4. Zawartość opakowania

Po otwarciu należy upewnić się czy w opakowaniu znajdują się następujące elementy:

- Kamera IP
- Torebka z akcesoriami montażowymi
- Skrócona instrukcja obsługi.

Jeżeli którykolwiek z elementów został uszkodzony w transporcie, należy spakować zawartość z powrotem do oryginalnego opakowania i skontaktować się z dostawcą.

UWAGA:

Zabronione jest stosowanie jako źródło zasilania kamery urządzeń (zasilacze, adaptory itp.) PoE niezgodnych ze standardem IEEE 802.3af, potocznie nazywanych „pasywne zasilacze PoE”. Uszkodzenia wynikłe ze stosowania nieodpowiednich źródeł zasilania nie podlegają gwarancji.

URUCHAMIANIE I WSTĘPNA KONFIGURACJA KAMERY IP

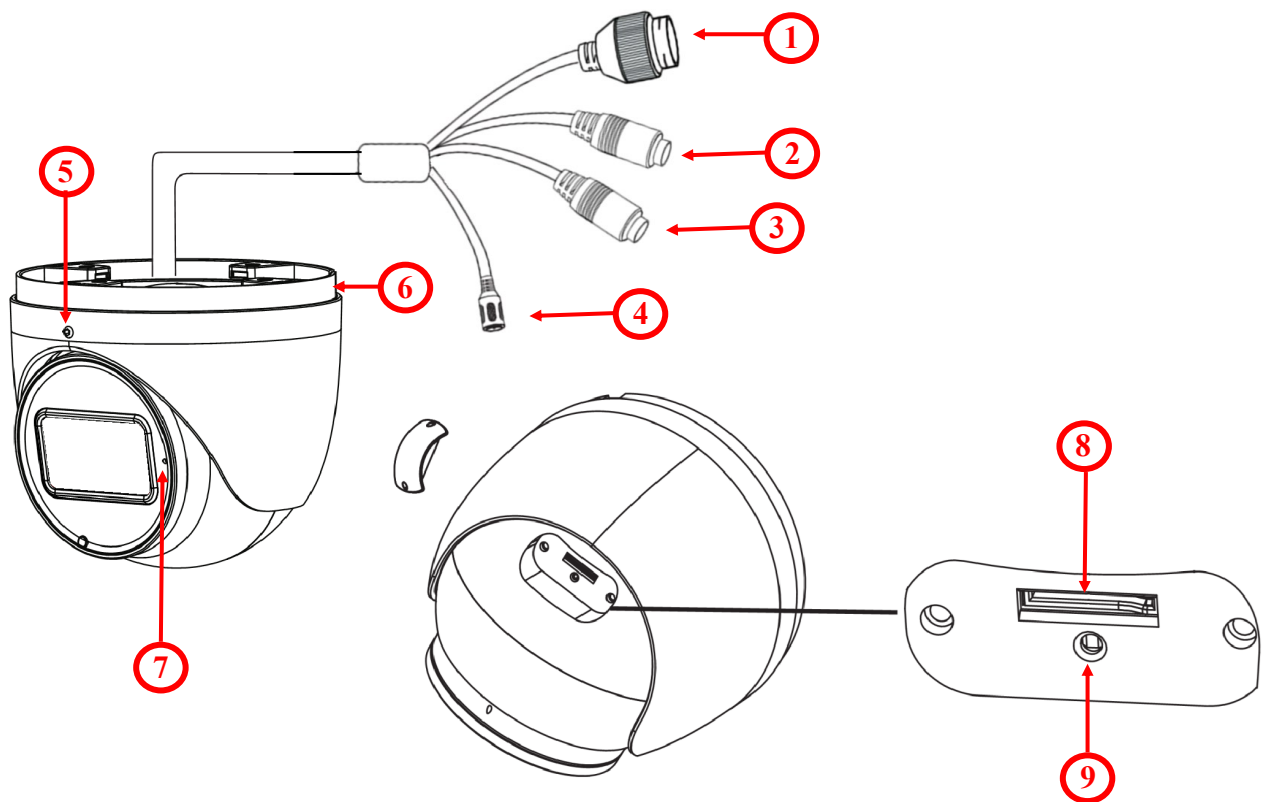
2. URUCHAMIANIE I WSTĘPNA KONFIGURACJA KAMERY IP

UWAGA:

Jeżeli urządzenie przyniesione zostało z pomieszczenia o niższej temperaturze należy odczekać aż osiągnie temperaturę pomieszczenia, w którym ma pracować. Nie wolno włączać urządzenia bezpośrednio po przyniesieniu z chłodniejszego miejsca. Kondensacja zawartej w powietrzu pary wodnej może spowodować zwarcia i w konsekwencji uszkodzenie urządzenia.

Przed uruchomieniem urządzenia należy zapoznać się z opisem i rolą poszczególnych wejść, wyjść oraz elementów regulacyjnych, w które wyposażone są kamery.

2.1 Opis złączy elektrycznych oraz elementów regulacyjnych



1. Złącze Ethernet 100 Mbit/s (gniazdo PoE RJ-45)
2. Wejście audio (Jack 3.5 mm)
3. Wyjście audio (Jack 3.5 mm)
4. Złącze zasilania kamery 12VDC
5. Śruba kontruująca obudowę
6. Podstawa kamery
7. Wbudowany mikrofon
8. Gniazdo karty micro SD
9. Przycisk reset

URUCHAMIANIE I WSTĘPNA KONFIGURACJA KAMERY IP

2.2. Podłączenie zasilania

Kamerę można zasilić z dostępnego na rynku zasilacza prądu stałego, pod warunkiem spełnienia przez niego wymogów technicznych kamery. Zasilacz musi dostarczać stabilizowanego napięcia stałego o wartości 12V, musi pozwalać na pobór co najmniej 15W mocy, oraz posiadać wtyk zasilający walcowy DC 2.5/5.5 o właściwej polaryzacji styków:



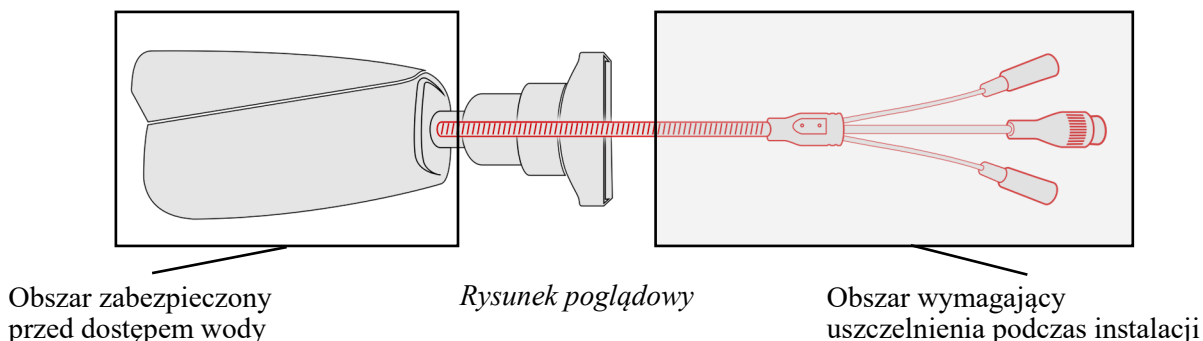
Możliwe jest także zasilanie kamery przez gniazdo sieciowe RJ45, przy wykorzystaniu technologii PoE (IEEE 802.3af, Klasa 3).

Uwaga!

Zabronione jest stosowanie jako źródło zasilania kamery urządzeń (zasilacze, adaptory itp.) PoE niezgodnych ze standardem IEEE 802.3af, potocznie nazywanych „pasywne zasilacze PoE”. Uszkodzenia wynikłe ze stosowania nieodpowiednich źródeł zasilania nie podlegają gwarancji.

2.3 Zabezpieczenie przed wnikaniem wody

Deklarowana klasa szczelności kamery dotyczy wyłącznie jej obudowy oraz miejsca, w którym kabel połączeniowy wchodzi do wnętrza obudowy.



Oznacza to, że kabel połączeniowy łącznie z gniazdami, złączami, przełącznikami, przyciskami i innymi elementami na tym kablu, a także inne elementy wyposażenia/konstrukcji kamery (jak daszki, uchwyty, wsporniki itp.) nie są wodoszczelne. Zabezpieczenie elementów które tego wymagają (a w każdym wypadku kabla połączeniowego) przed dostępem wilgoci jest obowiązkiem osoby instalującej kamerę.

Producent nie ponosi odpowiedzialności za wszelkie szkody, uszkodzenia kamery powstałe w skutek niedopełnienia w/w obowiązku co jednocześnie oznacza, iż nie podlegają one naprawom gwarancyjnym.

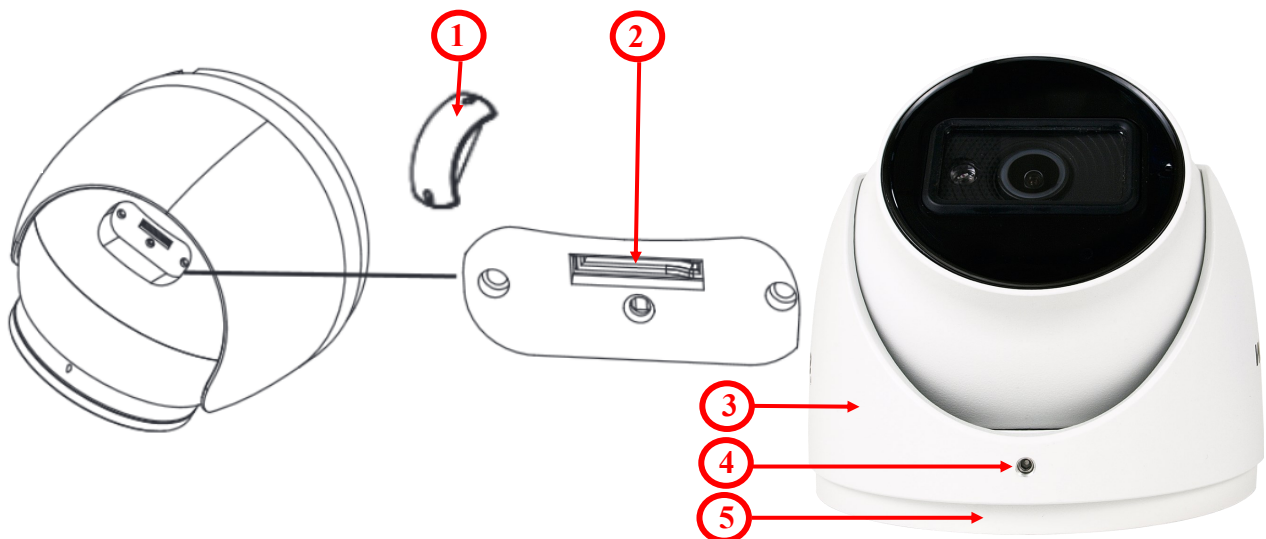
Znajdująca się w akcesoriach kamery (w zależności od wersji/modelu) osłona gniazda RJ-45 nie jest elementem zabezpieczającym przed wnikaniem wody. Zadaniem tego elementu jest ochrona przed wnikaniem do gniazda pyłów i wilgoci atmosferycznej oraz zapobieganie przypadkowym rozłączeniom przez mechaniczne stabilizowanie wtyku sieciowego w gnieździe RJ-45.

URUCHAMIANIE I WSTĘPNA KONFIGURACJA KAMERY IP

2.3. Montaż kamery

W celu zamontowania kamery należy postępować zgodnie z podaną procedurą:

- Odkręcić śrubę blokującą podstawę (4)
- Zdjąć osłonę kamery (3), wyjąć kamerę z podstawy (5)
- Wzorując się na położeniu otworów w podstawie kamery oraz korzystając z szablonu montażowego, zaznaczyć punkty pod przyszłe otwory mocujące i przepust kablowy.
- Wywiercić otwory montażowe i otwór pod kabel sygnałowy w miejscu podłączenia.
- Zamocować podstawę kamery (5) przy użyciu załączonych kołków i wkrętów.
- W razie potrzeby, odkręcić klapkę (1) umieszczoną na kamerze, włożyć kartę pamięci (2) i przykręcić klapkę (1).
- Podłączyć przewody kamery, umieścić ją na podstawie (5), założyć osłonę (3) i przykręcić wstępnie śrubę blokującą podstawę (4)
- Dokonać regulacji położenia kamery.
- Dokręcić do oporu śrubę blokującą podstawę (4)



Uwaga!

Należy zwrócić szczególną uwagę, aby powierzchnia do której mocowana jest kamera miała odpowiednią nośność.

Uwaga!

Zalecany jest montaż kamery z wykorzystaniem jednego z dedykowanych adapterów. Użycie adaptera pozwala na estetyczne wykonanie montażu kamery, ułatwia późniejsze serwisowanie oraz zapewnia zabezpieczoną przed dostępem wody przestrzeń do ukrycia przewodów.



Adaptory są wyposażeniem dodatkowym, do zakupu oddzielnie. Cechy i funkcje adaptera (jak sposób montażu, obecność przestrzeni na kable itp.) zależą od jego modelu. Lista dedykowanych adapterów i ich dane są dostępne na karcie katalogowej kamery w zakładce „Produkty powiązane”.

URUCHAMIANIE I WSTĘPNA KONFIGURACJA KAMERY IP

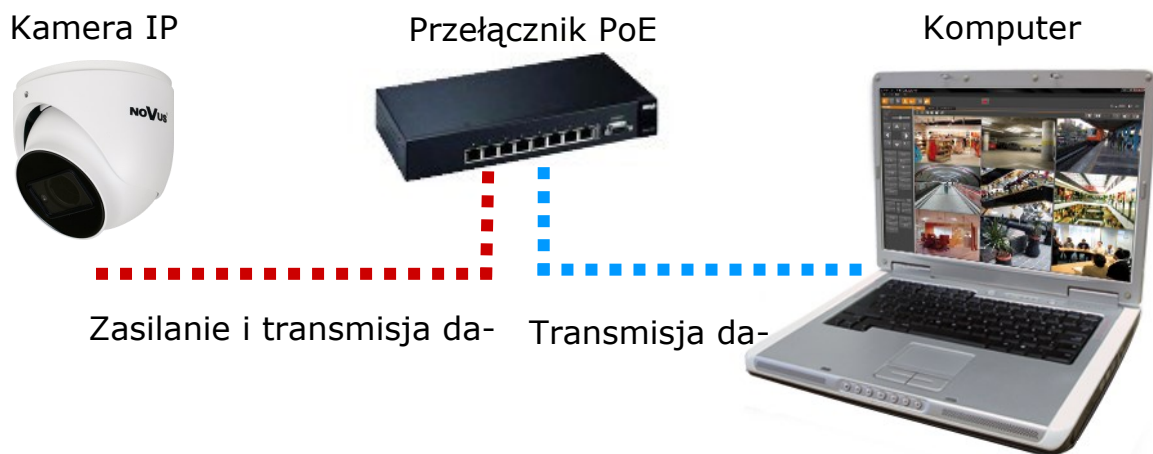
2.4. Uruchomienie kamery IP

W celu uruchomienia kamery należy podłączyć kabel ethernetowy do gniazda sieciowego RJ45 kamery IP, a drugi koniec do przełącznika sieciowego PoE (IEEE 802.3af).

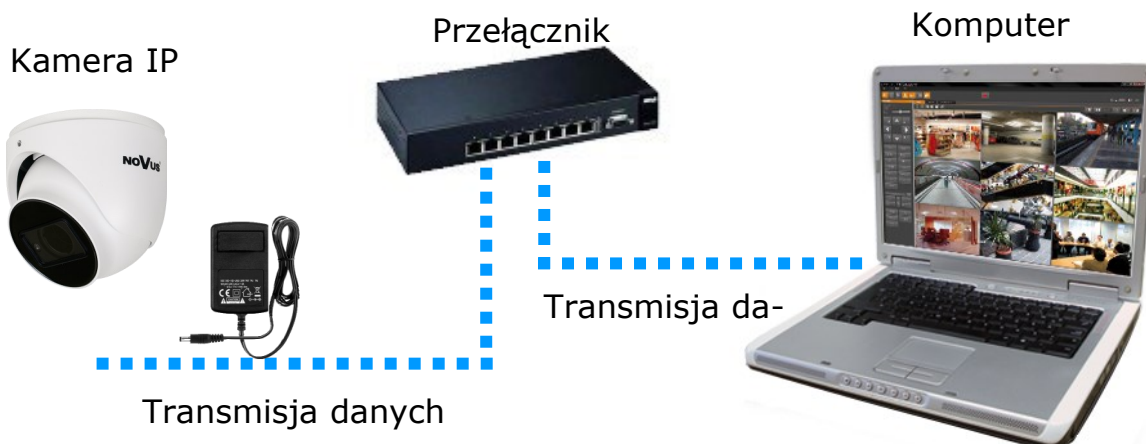
Możliwe jest również zasilanie kamery z zewnętrznego stabilizowanego zasilacza o parametrach spełniających wymagania kamery.

Zalecaną metodą uruchomienia i konfiguracji kamery IP jest podłączenie jej do komputera PC lub laptopa w wydzielonym przełączniku PoE, do którego nie ma podłączonych innych urządzeń. W przypadku zasilania z zewnętrznego zasilacza wystarczy zastosować dowolny przełącznik sieciowy, lub kabel podłączony bezpośrednio do komputera. W celu uzyskania danych potrzebnych do konfiguracji sieci (adres IP, brama, maska sieci itd.) należy skontaktować się z administratorem sieci, w której urządzenie ma pracować.

- Połączenie wykorzystujące przełącznik sieciowy z PoE



- Połączenie wykorzystujące zewnętrzne zasilanie kamery i przełącznik sieciowy



URUCHAMIANIE I WSTĘPNA KONFIGURACJA KAMERY IP

- Połączenie wykorzystujące zewnętrzne zasilanie kamery i kabel ethernetowy skrosowany

Kamera IP



Komputer



Transmisja danych - kabel ethernetowy skro-

Informacja:

Zasilacz zewnętrzny nie wchodzi w skład zestawu., należy się w niego zaopatrzyć we własnym zakresie.

2.5. Konfiguracja parametrów przy użyciu przeglądarki internetowej

Domyślne ustawienia sieciowe dla kamery to:

1. Adres IP - **192.168.1.200**
2. Maska sieci - **255.255.255.0**
3. Brama - **192.168.1.1**
4. Nazwa użytkownika - **root**
5. Hasło - **pass**

Znając adres IP kamery należy ustawić adres IP komputera w taki sposób aby oba urządzenia pracowały w jednej podsieci (dla adresu IP kamery 192.168.1.1 jako adres IP komputera PC możemy ustawić adres z zakresu 192.168.1.2 - 192.168.1.254, np.: 192.168.1.60). Niedopuszczalne jest ustawianie adresu komputera takiego samego jak adres kamery.

Wykorzystując połączenie przez przeglądarkę internetową Internet Explorer lub oprogramowanie NMS należy ustawić docelową konfigurację sieciową (adres IP, maskę sieci, bramę, serwery DNS) lub włączyć tryb pracy DHCP pozwalający na pobranie adresu IP z serwera DHCP (wymagany jest wówczas działający serwer DHCP). W przypadku korzystania z serwera DHCP należy upewnić się co do długości okresu dzierżawy adresu IP, jego powiązania z adresem MAC kamery IP w celu uniknięcia zmiany lub utraty adresu IP w czasie pracy urządzenia lub chwilowej awarii sieci / serwera DHCP. Należy pamiętać że po zmianie adresu IP kamera zostanie zresetowana i trzeba wpisać nowy adres w przeglądarce internetowej.

Po konfiguracji ustawień sieciowych pozwalających na bezkonfliktową pracę urządzenia, kamerę IP możemy podłączyć do sieci docelowej.

URUCHAMIANIE I WSTĘPNA KONFIGURACJA KAMERY IP

2.6. Zalecenia dotyczące bezpieczeństwa sieci

UWAGA!

Poniżej zostały przedstawione podstawowe zalecenia dotyczące budowy oraz konfiguracji systemów telewizji dozorowej podłączonych do sieci Internet, pozwalające ograniczyć ryzyko nieautoryzowanej ingerencji w system przez osoby trzecie.

1. Bezwzględnie należy zmienić domyślne hasła dostępu oraz nazwy użytkowników (jeśli dane urządzenia dają taką możliwość) wszystkich zastosowanych urządzeń sieciowych (tzn. rejestratora, kamer, routerów, przełączników sieciowych itp.) na hasła o znacznym stopniu skomplikowania. W zależności od możliwości konfiguracji danego urządzenia zaleca się, aby hasło zawierało: małe litery, wielkie litery, cyfry oraz znaki specjalne.

2. W zależności od dostępnej funkcjonalności w celu ograniczenia dostępu do zastosowanych urządzeń sieciowych na poziomie konta administratora zaleca się odpowiednią konfigurację kont użytkowników.

3. Bezwzględnie zabronione jest wykorzystywanie funkcji DMZ (Demilitarized zone - strefa zdemilitaryzowana). Zastosowanie tej funkcji otwiera dostęp do systemu od strony sieci Internet na wszystkich możliwych portach, co w znacznym stopniu ułatwia ewentualną nieautoryzowaną ingerencję w system.

Zamiast wykorzystywania funkcji DMZ należy zastosować przekierowanie portów. Przekierowane powinny zostać jedynie porty niezbędne do realizacji połączenia (szczegółowych informacji na temat portów komunikacji w poszczególnych modelach rejestratorów, kamer itp. należy szukać w instrukcjach obsługi urządzeń).

4. Należy stosować routery wyposażone w funkcję zapory sieciowej (Firewall) oraz upewnić się że funkcja jest włączona oraz odpowiednio skonfigurowana.

5. Jeśli urządzenia sieciowe posiadają taką funkcjonalność zalecana jest zmiana domyślnych numerów portów wykorzystywanych do komunikacji sieciowej.

6. Jeśli urządzenia sieciowe posiadają funkcję UPnP i nie jest ona wykorzystywana, należy ją bezwzględnie wyłączyć.

7. Jeśli urządzenia sieciowe posiadają funkcję P2P i nie jest ona wykorzystywana, należy ją wyłączyć.

8. Jeśli urządzenia sieciowe obsługują protokół HTTPS do realizacji połączeń zaleca się jego stosowanie.

9. Jeśli urządzenia sieciowe obsługują funkcję filtracji adresów IP uprawnionych do nawiązywania połączenia zaleca się jej wykorzystywanie.

10. Jeśli zastosowany rejestrator sieciowy wyposażony jest w dwa interfejsy sieciowe zaleca się odseparowanie sieci do której podłączone są kamery od sieci posiadającej połączenie internetowe. Dzięki temu urządzeniem dostępnym z poziomu sieci Internet będzie rejestrator natomiast połączenie z kamerami nie będzie możliwe.

POŁĄCZENIA SIECIOWE ZA POMOCĄ PRZEGLĄDARKI WWW

3 POŁĄCZENIA SIECIOWE ZA POMOCĄ PRZEGLĄDARKI WWW

3.1. Zalecana konfiguracja komputera PC do połączeń przez przeglądarkę WWW

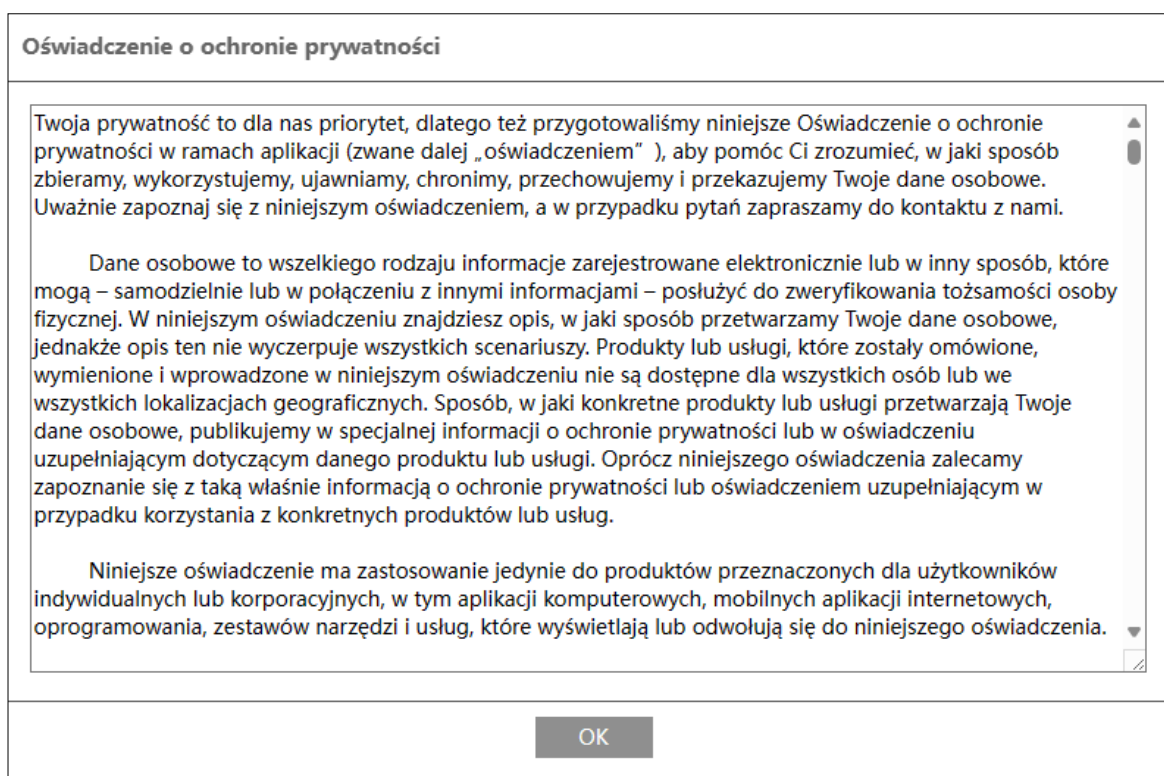
Poniższe wymagania dotyczą połączenia z kamerą IP przy założeniu płynnego wyświetlania obrazu wideo w rozdzielczości 3296 x 1856 dla 30 kl/s.

1. Procesor **Intel i7 3 GHz**
2. Pamięć **RAM min. 6 GB**
3. Karta grafiki **Nvidia GeForce 1GB**
4. System operacyjny **Windows 10**
5. Karta sieciowa **100/1000 Mb/s**

3.2. Połączenie sieciowe z kamerą za pomocą przeglądarki internetowej

- Pierwsze połączenie się z kamerą

W pasku adresu przeglądarki WWW należy wpisać adres IP kamery (domyślnie **192.168.1.200**). Jeśli podany adres jest prawidłowy i docelowe urządzenie jest w danej chwili osiągalne, wyświetli się okno pierwszego połączenia. W tym oknie należy zapoznać się z oświadczeniem o ochronie prywatności i po przeczytaniu należy zaznaczyć pole wyboru obok przycisku **Odczytane**, oraz kliknąć ten przycisk.



Zaakceptowanie oświadczenia nie może być pominięte. Okno to wyświetla się tylko podczas pierwszego logowania, jednak może być wyświetlone ponownie w dowolnym momencie.

Dostęp do oświadczenia znajduje się w menu **Ustawienia > System > Informacje podstawowe > Oświadczenie o ochronie prywatności**.

POŁĄCZENIA SIECIOWE ZA POMOCĄ PRZEGLĄDARKI WWW

- Ustawienia początkowe

Standardy takie jak strefa czasowa, format czasu czy częstotliwość zależą od kraju w którym użytkowana będzie kamera. Z tego względu na etapie aktywacji użytkownik wybiera kraj aby w następnym oknie pokazały się dla niego typowe ustawienia.

- Pytania bezpieczeństwa

Następnym etapem pierwszego logowania jest wpisanie odpowiedzi na pytania bezpieczeństwa.

W oknie które się wyświetli należy wybrać pytania spośród dostępnych na liście i wpisać własne odpowiedzi.

Znajomość właściwych pytań i odpowiedzi jest niezbędna do odzyskania hasła administratora.



Ten krok nie może być pominięty.

Okno pytań bezpieczeństwa wyświetla się tylko podczas pierwszego logowania, a jedyną możliwością zmiany podanych odpowiedzi jest przywrócenie ustawień fabrycznych i ponowne przejście wszystkich etapów pierwszego połączenia z kamerą.

Ustawienia

- Albania
- Cypr
- Izrael
- Węgry
- Włochy
- Macedonia
- Polska
- Portugalia

Ustawienia

Częstotliwość	50HZ
Strefa	GMT+01 (Amsterdam, Br
Format daty	DD-MM-YYYY
Format czasu	24 godziny

Pytanie bezpieczeństwa

⚠ W przypadku utraty hasła można je zresetować za pomocą odpowiedzi n a pytanie zabezpieczające. Jeśli nie ma odpowiedzi na pytanie zabezpieczające, należy przywrócić kamerę do ustawień fabrycznych. Zaleca się ich wypełnienie.

Pytanie 1	Nazwa szkoły ponadpodsz
Odpowiedź	1
Pytanie 2	Nazwa szkoły podstawow
Odpowiedź	2
Pytanie 3	Miejsce urodzenia
Odpowiedź	3

Powrót
Następny krok
Pomiń

POŁĄCZENIA SIECIOWE ZA POMOCĄ PRZEGLĄDARKI WWW

- Aktywacja urządzenia

Po zaakceptowaniu oświadczenia o ochronie prywatności, wyświetli się okno aktywacji urządzenia. W tym oknie należy ustawić hasło dla konta administratora (*root*).

Zaznaczenie checkboxa „Zmień również hasło Onvif” spowoduje zmianę hasła do konta Onvif na takie samo hasło jak do konta administratora.

Aktywacja urządzenia	
Użytkownik	<input type="text" value="root"/>
	<input checked="" type="checkbox"/> Zmień również hasło Onvif
Nowe hasło	<input type="text"/>
	8 ~ 16 znaków; Należy podać cyfry, znaki specjalne, wielkie i małe litery.
Potwierdź hasło	<input type="text"/>
<input type="button" value="Powrót"/> <input type="button" value="Zapisz"/>	



Jeżeli użytkownik nada podczas aktywacji urządzenia nowe hasło, ale nie zaznaczy checkboxa „Zmień również hasło Onvif” to konto Onvif zostanie z domyślnymi danymi logowania (login: *root* i hasło: *pass*).

Hasło może składać się z maksymalnie 16 znaków. Podczas wprowadzania nowego hasła, jego siła jest wskazywana na bieżąco przez wskaźnik poziomu bezpieczeństwa. Dla zapewnienia dużego bezpieczeństwa, należy zastosować małe i wielkie litery, cyfry i znaki specjalne. Po dwukrotnym prawidłowym podaniu hasła i zatwierdzeniu przyciskiem **OK** hasło (administratora) do konta webowego zostanie zapisane, okno zamknie się i wyświetli się ekran logowania.

- Konta użytkownika

Konto Webowe utworzone podczas aktywacji urządzenia jest kontem administratora kamery. Oznacza to, że użytkownik logując się do urządzenia przez przeglądarkę, loginem **root** i wcześniej ustalonym hasłem, będzie miał dostęp do pełnej funkcjonalności oraz wszystkich dostępnych w kamerze ustawień. Konto wykorzystywane jest również do logowania się do kamery z poziomu rejestratorów sieciowych serii 6000 oraz oprogramowania NOVUS MANAGEMENT SYSTEM VSS i NOVUS MANAGEMENT SYSTEM AC w przypadku użycia metody obsługi zdarzeń LongPolling.

Konto Onvif to konto służące do logowania się do kamery podczas realizacji połączeń z poziomu oprogramowania NOVUS MANAGEMENT SYSTEM VSS i NOVUS MANAGEMENT SYSTEM AC oraz z wykorzystaniem protokołu Onvif lub RTSP. Konto to jest tworzone automatycznie podczas aktywacji urządzenia, a domyślne dane logowania to login: „root” i hasło: „pass”.



Ze względów bezpieczeństwa, po aktywacji urządzenia należy niezwłocznie zmienić domyślne hasło do konta Onvif. Zalecane jest nadanie takiego samego hasła zarówno do konta Onvif jak i do konta webowego.

POŁĄCZENIA SIECIOWE ZA POMOCĄ PRZEGLĄDARKI WWW

- Edycja konta ONVIF

W celu zmiany hasła do konta Onvif, po zalogowaniu należy przejść do znajdującej się w prawym górnym rogu zakładki **Ustawienia**, a następnie **Sieć > Onvif**.

W zakładce **Onvif** należy kliknąć przycisk **Modyfikuj**, a następnie w oknie **Edytuj użytkownika** należy wpisać nowe hasło i zatwierdzić przyciskiem **OK**. Jeśli połączenie z kamerą z poziomu oprogramowania NMS będzie realizowane z wykorzystaniem metody obsługi zdarzeń LongPolling, to w niniejszym kroku należy ustawić takie samo hasło dla konta Onvif jak dla konta Webowego.

Index	Użytkownik	Typ użytkownika
1	root	Administrator

Aby usunąć konto Onvif należy klikając na odpowiedni wiersz w tabeli, wybrać użytkownika, a następnie kliknąć przycisk **Usuń**. Należy mieć na uwadze, że usunięcie konta Onvif wiąże się z brakiem możliwości dodania kamery do oprogramowania NOVUS MANAGEMENT SYSTEM. Przycisk **Dodaj** służy do utworzenia nowego konta Onvif.

- Pierwsze logowanie się do kamery

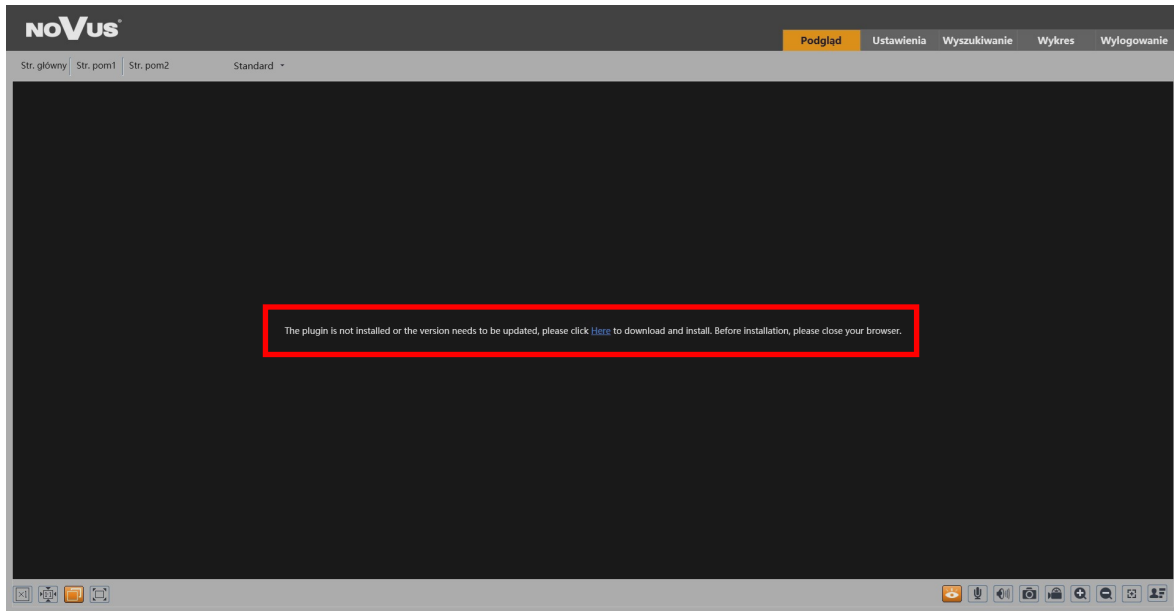
W oknie logowania należy w pole **Nazwa** wpisać nazwę konta administratora (*root*), a w pole **Hasło** nowo ustawione hasło administratora. W polu **Typ strumienia** możliwy jest wybór strumienia który będzie wyświetlany w oknie podglądu na żywo po zalogowaniu, a w polu **Język** możliwa jest zmiana języka interfejsu. Opcja **Zapomniane hasło** pozwala na zalogowanie do kamery w przypadku zapomnienia hasła administratora. Do tego potrzebna jest znajomość odpowiedzi na pytania bezpieczeństwa (ustawiane w następnym kroku).

Po wpisaniu odpowiednich danych należy nacisnąć przycisk **Login** aby zalogować się do panelu www kamery.

POŁĄCZENIA SIECIOWE ZA POMOCĄ PRZEGLĄDARKI WWW

- Instalacja dodatku plug-in

Jeśli do tej pory przeglądarka nie łączyła się z żadną z kamer serii 6000 lub jeśli jest zainstalowana starsza wersja plug-ina, w oknie zdalnego podglądu wyświetli się komunikat o konieczności zainstalowania odpowiedniej wersji.



The plugin is not installed or the version needs to be updated, please click [Here](#) to download and install. Before installation, please close your browser.

Należy kliknąć na link **Here** aby rozpocząć instalację plug-ina. Przeglądarka wyświetli okienko z prośbą o podjęcie decyzji jak postąpić z plikiem „NetAIIPCamera.exe” - należy nacisnąć przycisk **Uruchom**, co uruchomi instalatora dodatku.

W oknie instalatora należy wybrać język instalacji (domyślnie angielski), a następnie kliknąć przycisk **Install** by zainstalować dodatek. Po zakończeniu instalacji należy kliknąć przycisk **Finish** oraz odświeżyć okno przeglądarki (można także zamknąć i uruchomić ponownie przeglądarkę).

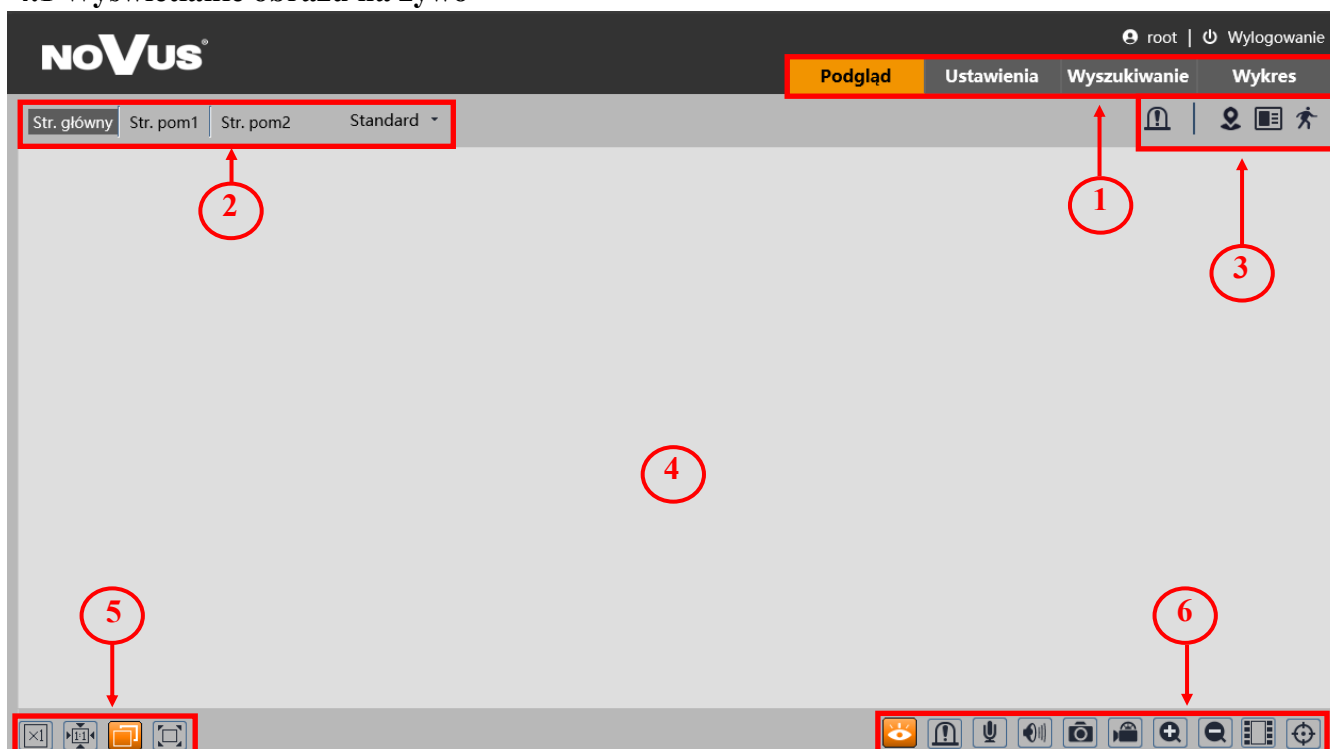
Jeżeli po instalacji i odświeżeniu okna przeglądarki, na ekranie będzie dalej widniał ten sam napis co wcześniej, należy przejść do ustawień przeglądarki (ikona koła zębatego w prawym górnym rogu), a następnie **Zarządzaj dodatkami**. W oknie które się pojawi należy kliknąć prawym przyciskiem myszy na **NetAIIPCamera Control**, a następnie **Włącz** i odświeżyć okno przeglądarki.

Po pomyślnym przejściu wszystkich powyższych kroków, w oknie podglądu na żywo powinien być widoczny podgląd z kamery.

INTERFEJS WWW - PRACA Z KAMERA

4. INTERFEJS WWW - PRACA Z KAMERA

4.1 Wyświetlanie obrazu na żywo



1. Zakładki menu kamery:

- *Podgląd* - otwiera okno wyświetlania obrazu na żywo,
- *Ustawienia* - otwiera menu ustawień kamery,
- *Wyszukiwanie* - otwiera okno odtwarzania nagrań kamery,
- *Wykres* - otwiera okno ze statystykami zliczania i mapami ciepła,

2. Przyciski zmiany wyświetlanego strumienia oraz buforowania:


- Umożliwiają wybór strumienia: Strumień główny, Pomocniczy 1 lub Pomocniczy 2,
- Pozwalają wybrać opcję buforowania: *Na żywo*, *Standard* oraz *Płynnie*.


3. Ikony powiadomień - ikony przedstawiające aktualne stany niektórych alarmów i wyjść alarmowych kamery.


4. Okno podglądu wideo.

5. Przyciski ustawienia obrazu - przyciski te zmieniają tryb wyświetlania obrazu w oknie podglądu:

 Oryginalny rozmiar

 Rozmiar automatyczny

 Dostosuj do ekranu

 Pełny ekran

POŁĄCZENIA ELEKTRYCZNE I ZŁĄCZA AKCESORIÓW

6. Przyciski funkcyjne:



Włącz/wyłącz podgląd na żywo



Włącz/wyłącz audio



Zrób zdjęcie



Uruchom nagrywanie



Cyfrowe przybliżenie obrazu



Cyfrowe oddalenie obrazu



Włącz/wyłącz graficzną reprezentację analizy obrazu



Pokaż panel metadanych wideo



Włącz wyjście alarmowe



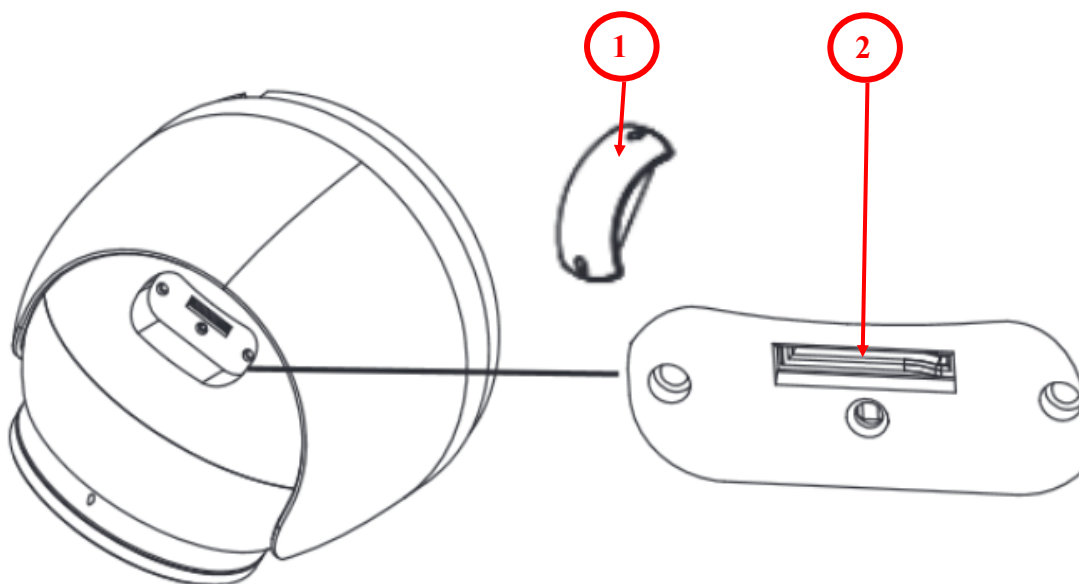
Włącz/Wyłącz dwukierunkowe audio

5. POŁĄCZENIA ELEKTRYCZNE I ZŁĄCZA AKCESORIÓW

5.1. Instalacja karty Micro SD

Kamera obsługuje karty Micro SD o pojemności do 256 GB. W celu prawidłowej instalacji karty należy postępować zgodnie z instrukcją:

- Wyłączyć zasilanie kamery.
- Odkręcić klapkę (1) umieszczoną na kamerze.
- Włożyć kartę pamięci (2).
- Przykręcić klapkę (1).
- Włączyć kamerę.
- Sprawdzić poprawność zainstalowania karty przez zweryfikowanie jej rozmiaru w zakładce „System - > Karta SD”.



PRZYWRACANIE USTAWIEŃ FABRYCZNYCH KAMERY

6. PRZYWRACANIE USTAWIEŃ FABRYCZNYCH KAMERY


Kamery marki NOVUS umożliwiają resetowanie ustawień:

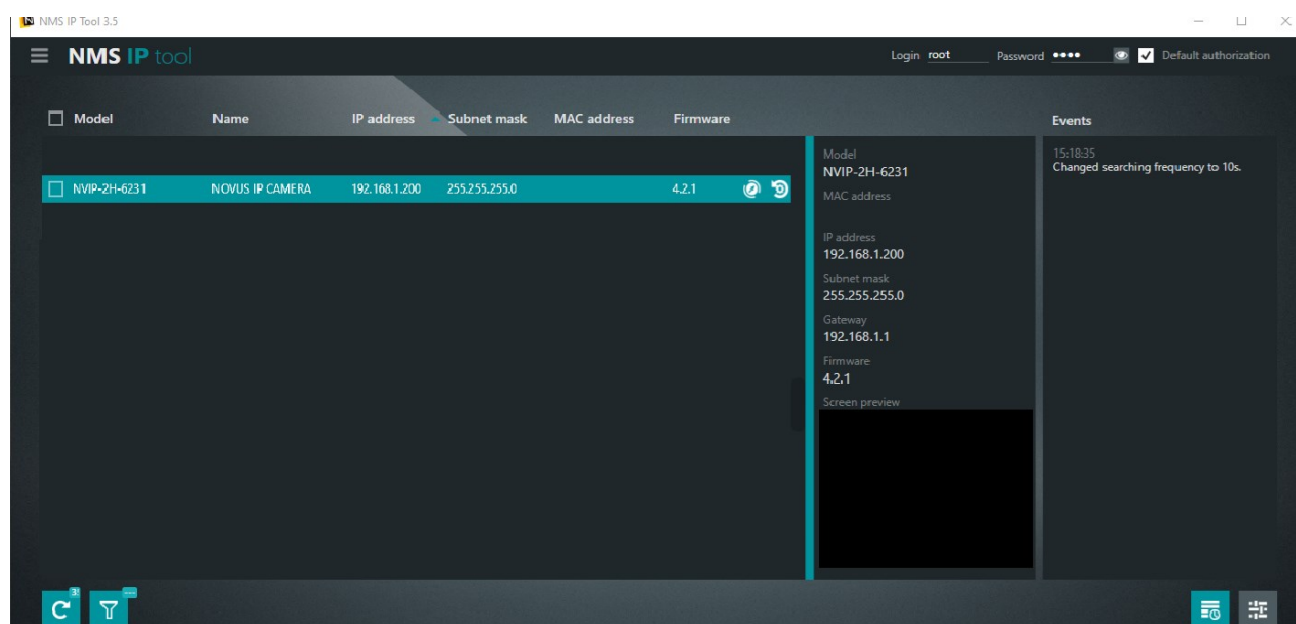
- programowo (z poziomu przeglądarki)
- programowo (z poziomu NMS IPTool)
- programowo (z poziomu IPTool 6000)
- sprzętowo (przy użyciu przycisku reset (*RST*))

6.1. Programowe przywracanie ustawień fabrycznych kamery z poziomu przeglądarki

Przywracanie ustawień fabrycznych kamery IP powoduje przywrócenie wszystkich domyślnych ustawień kamery (opcjonalnie z pominięciem niektórych ustawień, np. sieciowych). Kamera zostanie ponownie uruchomiona po ok. 1 minucie. Opcja do programowego przywrócenia ustawień fabrycznych znajduje się w zakładce „Konservacja > Kopia zapasowa”.

6.2. Programowe przywracanie ustawień fabrycznych kamery z poziomu NMS IP Tool

Użytkownik ma również możliwość przywrócenia ustawień fabrycznych kamery za pomocą programu NMS IPTool (wersja 3.5 lub wyższa). Aby to zrobić należy znaleźć kamerę na liście dostępnych urządzeń, a następnie po prawej stronie wiersza w którym znajduje się kamera, kliknąć ikonę . Następnie, w ciągu 30 sekund od momentu kliknięcia powyższej ikony należy odłączyć zasilanie kamery. Po ponownym podłączeniu kamery do zasilania, wszystkie ustawienia będą domyślne.

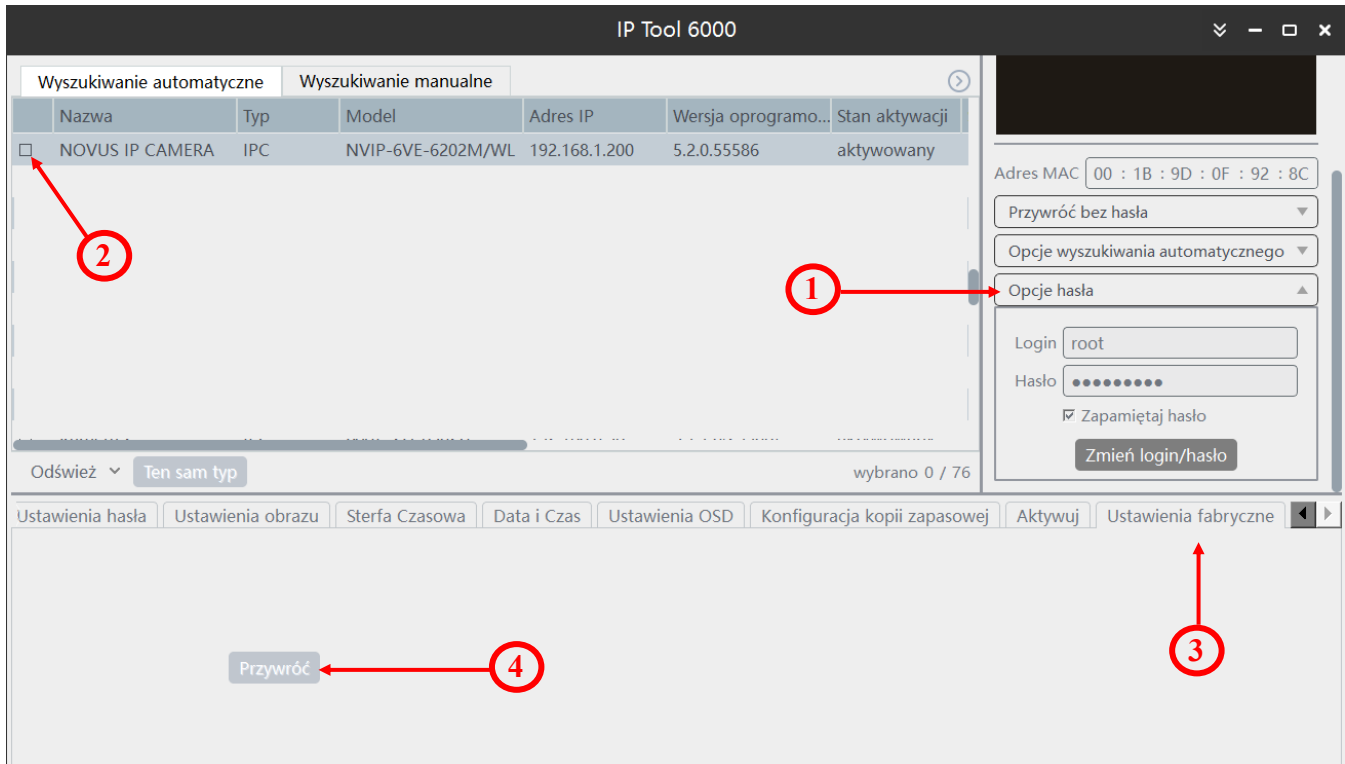


PRZYWRACANIE USTAWIENÍ FABRYCZNYCH KAMERY

6.3. Programowe przywracanie ustawień fabrycznych kamery z poziomu IP Tool 6000

IP Tool 6000 to bardzo przydatne narzędzie do aktywacji i konfiguracji ustawień jednej lub wielu kamer serii 6000 na raz. Oprogramowanie to jest dostępne do pobrania w zakładce **Pliki do pobrania** w karcie katalogowej kamery której dotyczy ta instrukcja.

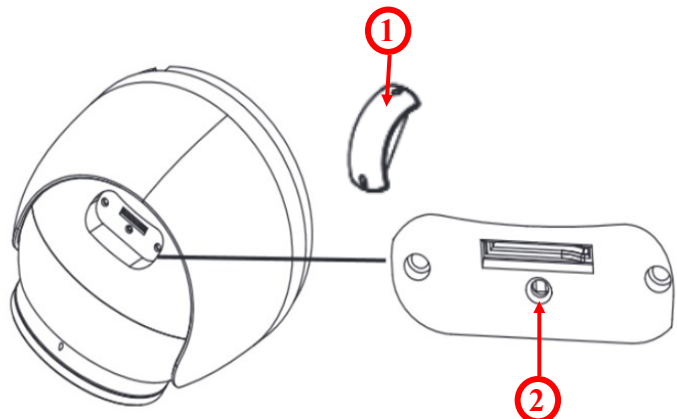
Aby przywrócić ustawienia fabryczne kamery należy w polu **Opcje hasła (1)** podać dane logowania się do kamery, następnie zaznaczyć checkbox **(2)** obok wybranej kamery, przejść do zakładki **Ustawienia fabryczne (3)** i kliknąć przycisk **Przywróć (4)**.



6.4. Sprzętowe przywracanie ustawień fabrycznych kamery

Aby sprzętowo przywrócić ustawienia fabryczne należy :

- Odkręcić klapkę (1) umieszczoną na kamerze.
- Przytrzymać przycisk reset (2) przez 10 sekund.
- Zwolnić przycisk i przykręcić klapkę (1).
- Zalogować się ponownie po ok. 2 minutach używając domyślnego adresu IP (<http://192.168.1.200>), nazwy użytkownika (root) i hasła (pass).



noVus[®]

AAT SYSTEMY BEZPIECZEŃSTWA Sp. z o.o.
ul. Puławska 431, 02-801 Warszawa, Polska
tel.: 22 546 0 546, kontakt@aat.pl
www.novuscctv.com/pl

2024-06-05 DK MK