

Quick start guide





NVIP-4H-6532M/F-II


NOVUS[®]

IMPORTANT SAFEGUARDS AND WARNINGS

THE PRODUCT MEETS THE REQUIREMENTS CONTAINED IN THE FOLLOWING DIRECTIVES:

 **DIRECTIVE 2014/30/EU OF THE EUROPEAN PARLIMENT AND OF THE COUNCIL of 26 February 2014** on the harmonisation of the laws of the Member States relating to electromagnetic compatibility (OJ L 96, 29.3.2014, p. 79–106, with changes).

 **DIRECTIVE 2012/19/EU OF THE EUROPEAN PARLIAMENT AND OF THE COUNCIL of 4 July 2012** on waste electrical and electronic equipment (WEEE) (OJ L 197, 24.7.2012, p. 38–71, with changes).

 **DIRECTIVE 2011/65/EU OF THE EUROPEAN PARLIAMENT AND OF THE COUNCIL of 8 June 2011** on the restriction of the use of certain hazardous substances in electrical and electronic equipment (OJ L 174, 1.7.2011, p. 88–110, with changes).

COMMISSION DELEGATED DIRECTIVE (EU) 2015/863 of 31 March 2015 amending Annex II to Directive 2011/65/EU of the European Parliament and of the Council as regards the list of restricted substances.

DIRECTIVE (EU) 2017/2102 OF THE EUROPEAN PARLIAMENT AND OF THE COUNCIL of 15 November 2017 amending Directive 2011/65/EU on the restriction of the use of certain hazardous substances in electrical and electronic equipment.

Information

The device, as a part of professional CCTV system used for surveillance and control, is not designed for self installation in households by individuals without technical knowledge.

Excluding of responsibility in case of damage to data contained on disks and/or other data carriers:

The manufacturer does not bear any responsibility in case of damaging or losing data on a disks and/or other data carriers.

Obligation to consult with the Manufacturer before performing an activity not provided for in the operating manual or other documents:

Before performing an activity that is not provided for in a given Product in the manual, other documents attached to the Product or does not result from the normal purpose of the Product, please contact the Manufacturer under the pain of excluding the Producer's liability for the consequences of such an activity.



Pictures in this publication showing camera views can be simulations. Actual camera images may vary depending on the type, model, settings, observation area, or environmental conditions.

IMPORTANT SAFEGUARDS AND WARNINGS

WARNING!

THE KNOWLEDGE OF THIS MANUAL IS AN INDESPENSIBLE CONDITION OF A PROPER DEVICE OPERATION. YOU ARE KINDLY REQUESTED TO FAMILIRIZE YOURSELF WITH THE MANUAL PRIOR TO INSTALLATION AND FURTHER DEVICE OPERATION.

WARNING!

USER IS NOT ALLOWED TO DISASSEMBLE THE CASING AS THERE ARE NO USER-SERVICEABLE PARTS INSIDE THIS UNIT. ONLY AUTHORIZED SERVICE PERSONNEL MAY OPEN THE UNIT

INSTALLATION AND SERVICING SHOULD ONLY BE DONE BY QUALIFIED SERVICE PERSONNEL AND SHOULD CONFORM TO ALL LOCAL REGULATIONS

eng

1. Prior to undertaking any action please consult the following manual and read all the safety and operating instructions before starting the device.
2. Please keep this manual for the lifespan of the device in case referring to the contents of this manual is necessary;
3. All the safety precautions referred to in this manual should be strictly followed, as they have a direct influence on user's safety and durability and reliability of the device;
4. All actions conducted by the servicemen and users must be accomplished in accordance with the user's manual;
5. The device should be disconnected from power sources during maintenance procedures;
6. Usage of additional devices and components neither provided nor recommended by the producer is forbidden;
7. You are not allowed to use the camera in high humidity environment (i.e. close to swimming pools, bath tubs, damp basements);
8. Mounting the device in places where proper ventilation cannot be provided (e. g. closed lockers etc.) is not recommended since it may lead to heat build-up and damaging the device itself as a consequence;
9. Mounting the camera on unstable surface or using not recommended mounts is forbidden. Improperly mounted camera may cause a fatal accident or may be seriously damaged itself. The camera must be mounted by qualified personnel with proper authorization, in accordance with this user's manual.
10. Device should be supplied only from a power sources whose parameters are in accordance with those specified by the producer in the datasheet. Therefore, it is forbidden to supply the camera from a power sources with unknown parameters, unstable or not meeting producer's requirements;

Due to the product being constantly enhanced and optimized, certain parameters and functions described in the manual in question may change without further notice.

We strongly suggest visiting the www.novuscctv.com/en website in order to access the newest full manual

TABLE OF CONTENTS

| | |
|--|----|
| TABLE OF CONTENTS | 4 |
| 1. FOREWORD INFORMATION | 5 |
| 1.1. General characteristics..... | 5 |
| 1.2. Technical specification | 6 |
| 1.3. Camera dimensions | 8 |
| 1.4. Package contents..... | 8 |
| 2. START-UP AND INITIAL CONFIGURATION | 9 |
| 2.1. Description of electrical connectors | 9 |
| 2.2. Ethernet cable connecting | 9 |
| 2.3. Arrangement of connectors and control elements | 10 |
| 2.4. Power supply connection | 10 |
| 2.5. Camera installation..... | 11 |
| 2.6. Starting the camera | 12 |
| 2.7. Initial configuration via the web browser..... | 13 |
| 2.8. Security recommendations for network architecture and configuration | 14 |
| 3. NETWORK CONNECTION USING WEB BROWSER | 15 |
| 3.1. Recommended PC specification for web browser | 15 |
| 3.2. Connection with IP camera via web browser..... | 15 |
| 4. WWW INTERFACE - WORKING WITH THE CAMERA | 19 |
| 4.1. The remote preview interface | 19 |
| 5. SD CARD INSTALLATION | 20 |
| 6. FACTORY SETTINGS RESTORING | 21 |
| 6.1. Software factory settings restoring via web browser | 21 |
| 6.2. Software factory settings restoring via NMS IPTool..... | 21 |
| 6.3. Hardware factory settings restoring | 21 |

FOREWORD INFORMATION

1. FOREWORD INFORMATION

1.1. General Characteristics

- Sensor resolution: 4.0 megapixels
- Mechanical IR cut filter (IR operation capability)
- Min. illumination from 0.005 lx/F1.6 - color mode, (0 lx IR on)
- Wide Dynamic Range (WDR)
- Digital Slow Shutter (DSS)
- Digital Noise Reduction (DNR)
- Defog Function (F-DNR)
- Highlight Compensation (HLC)
- Back Light Compensation (BLC)
- Reduction of image flicker (Antiflicker)
- Motorized, auto-iris function, $f=7 \sim 22$ mm/F1.6
- Built-in IR illuminator: 4 LEDs
- Video/audio compression: H.264, H.264+, H.265, H.265+, MJPEG/G.711
- Max. video resolution up to 2592 x 1520
- Operation in tri-stream mode: ability to define compression, resolution, speed and quality for each stream
- ONVIF Protocol Support
- RTSP protocol support for video transmission
- ROI zones
- Privacy Zones
- MicroSD Card Slot, capacity up to 256 GB
- Audio input and output
- Alarm input and output
- Hardware reset button
- Video content analysis based on Deep Learning with Human/Vehicle object classification
- Wide range of responses to alarm events: e-mail with attachment, SD card, FTP server, alarm output activation
- Software: NMS (NOVUS MANAGEMENT SYSTEM) for video recording, live monitoring, playback and remote IP devices administration
- Power supply: 12 VDC / PoE

FOREWORD INFORMATION

1.2. Technical specification

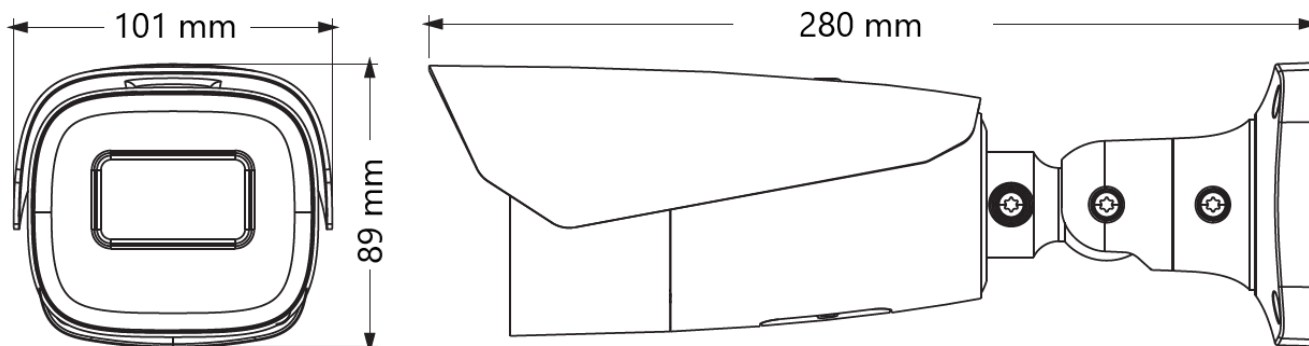
| IMAGE | |
|--|--|
| Image Sensor | 4 MPX CMOS sensor 1/3" SmartSens |
| Number of Effective Pixels | 2688 (H) x 1520 (V) |
| Min. Illumination | 0.005 lx/F1.6 - color mode, 0 lx (IR on) - B/W mode |
| Electronic Shutter | auto/manual: 1/2 s ~ 1/100000 s |
| Digital Slow Shutter (DSS) | up to 1/2 s |
| Wide Dynamic Range (WDR) | yes 120dB |
| Digital Noise Reduction (DNR) | 2D, 3D |
| Defog Function (F-DNR) | yes |
| Highlight Compensation (HLC) | yes |
| Back Light Compensation (BLC) | yes |
| Reduction of image flicker (Antiflicker) | yes |
| LENS | |
| Lens Type | motorized, auto-iris function, f=7 ~ 22 mm/F1.6 |
| Auto-focus | zoom trigger, day/night mode trigger, manual trigger |
| DAY/NIGHT | |
| Switching Type | mechanical IR cut filter |
| Switching Mode | auto, manual, time |
| Switching Level Adjustment | yes |
| Switching Delay | 2 ~ 120 s |
| Switching Schedule | yes |
| Visible Light Sensor | yes |
| NETWORK | |
| Stream Resolution | 2592 x 1520, 2560 x 1440 (QHD), 2304 x 1296, 1920 x 1080 (Full HD), 1280 x 720 (HD), 640 x 480 (VGA), 480 x 240, 320 x 240 |
| Frame Rate | 30 fps for each resolution, 60 fps for 1920 x 1080 (Full HD) and lower resolutions |
| Multistreaming Mode | 3 streams |
| Video/Audio Compression | H.264, H.264+, H.265, H.265+, MJPEG/G.711 |
| Number of Simultaneous Connections | max. 10 |
| Bandwidth | 50 Mb/s in total |
| Network Protocols Support | HTTP, TCP/IP, IPv4/v6, UDP, HTTPS, FTP, DHCP, DDNS, NTP, RTSP, RTP, UPnP, SNMP, QoS, IEEE 802.1X, PPPoE, SMTP, RTCP, HTML5, RTMP |
| ONVIF Protocol Support | Profile S/G |
| Camera Configuration | from Internet Explorer, Firefox, Chrome, Opera, Edge browser languages: Polish, English, Russian, and others |
| Compatible Software | NMS, N Control 6000 |
| Mobile applications | SuperLive Plus (iPhone, Android) |

FOREWORD INFORMATION

| OTHER FUNCTIONS | |
|---------------------------------|---|
| Privacy Zones | 4 video mask type: single color or 4 video mask type: mosaic |
| Motion Detection | yes |
| Region of interest (ROI) | 8 |
| Video Content Analysis (VCA) | tamper, abandoned object, object disappearance, line cross, zone entrance, zone exit, object counting, face detection, detection of people not wearing masks, cross counting, heat map, Scene Change, Video Blurred, Video Color Cast, objects distinguishing, people counting, vehicle counting, intrusion detection |
| Image Processing | 90°image rotation, 180°image rotation, sharpening, mirror effect, corridor mode, vertical flip, horizontal flip, lens distortion correction |
| Prealarm/Postalarm | up to 6 s/up to 120 s |
| System Reaction to Alarm Events | e-mail, e-mail with attachment, saving file on FTP server, saving file on SD card, alarm output activation |
| Restoring default settings | via web browser, using reset button, via NMS IPTool software |
| IR LED | |
| LED Number | 4 |
| Range | up to 100 m (depends on current optical zoom value) |
| Smart IR | yes (software support) |
| INTERFACES | |
| Video Output | BNC, 1.0 Vp-p, 75 Ohm |
| Audio Input/Output | 1 x Jack (3.5 mm)/1 x Jack (3.5 mm) |
| Alarm Input/Output | 1 (NO/NC)/1 relay type (max. 1A 30VDC/0,5A 125VAC) |
| Network Interface | 1 x Ethernet - RJ-45 interface, 10/100 Mbit/s |
| Memory Card Slot | microSD - capacity up to 256GB |
| INSTALLATION PARAMETERS | |
| Dimensions (mm) | with bracket: 101 (W) x 89 (H) x 280 (L) |
| Weight | 1.1 kg |
| Degree of Protection | IP 67 (details in the user's manual) |
| Enclosure | aluminium, white or grey, fully cable managed wall mount bracket in-set included, IK10 impact rating |
| Power Supply | PoE, 12 VDC |
| Surge protection | TVS 4000 V |
| Power Consumption | 7 W, 9.5 W (IR illuminator on) |
| Operating Temperature | -30°C ~ 60°C |
| Humidity | max. 95%, relative (non-condensing) |

FOREWORD INFORMATION

1.3. Camera dimensions



1.4. Package contents

After opening, make sure that the following elements are inside:

- IP camera
- Accessories bag
- Short version of user's manual

If any of this elements has been damaged during transport, pack all the elements back into the original box and contact your supplier for further assistance.

Attention:

If the device was brought from a location with lower temperature, please wait until it reaches the temperature of location it is currently in. Turning the device on immediately after bringing it from a location with lower ambient temperature is forbidden, as the condensing water vapour may cause short-circuits and damage the device as a result.

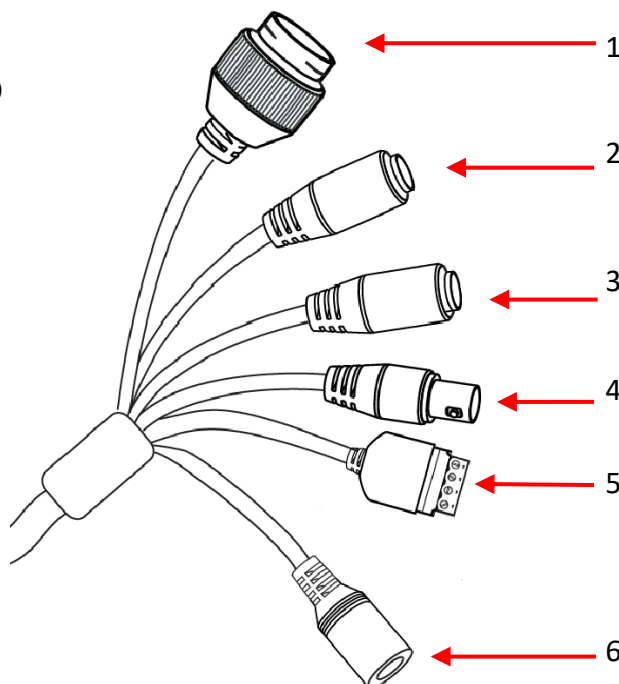
START-UP AND INITIAL CONFIGURATION

2. START-UP AND INITIAL CONFIGURATION

Before starting the device familiarize yourself with the description and the role of particular inputs, outputs and adjusting elements that the device is equipped with.

2.1. Description of electrical connectors

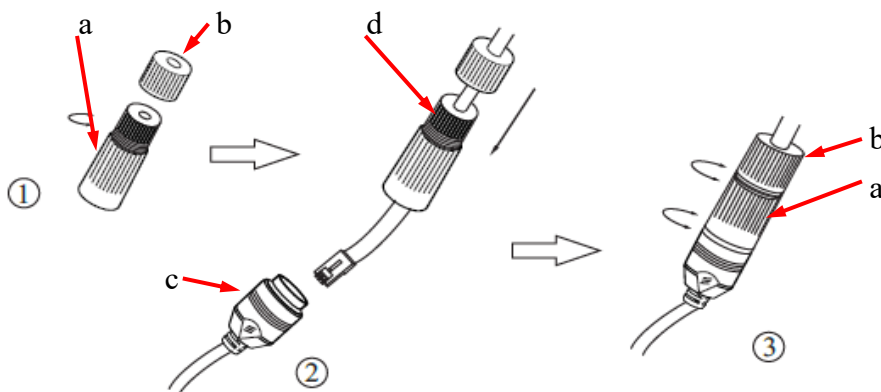
1. 100 Mb/s Ethernet port (PoE RJ-45 connector)
2. Audio output (HP)
3. Audio input (MIC)
4. BNC CVBS video output
5. Alarm connector:
 1. Alarm output COM
 2. Alarm output
 3. Alarm input
 4. Alarm input GND
6. Power supply 12VDC



2.2. Ethernet cable connecting

To maintain tightness of ethernet cable connection, please follow instruction below:

1. Unscrew the nut (b) from the connector cover (a), put the sealing ring on the socket (c)
2. Route the network cable through parts (a) and (b). Insert the RJ-45 plug into the socket (c)
3. Screw the connector cover (a) onto the socket (c). Press the cable seal (d) into the upper part of the connector cover (a) as far as it will go - the seal has a cut enabling it to be put on the cable.
4. Tighten the nut (b) as far as it will go.

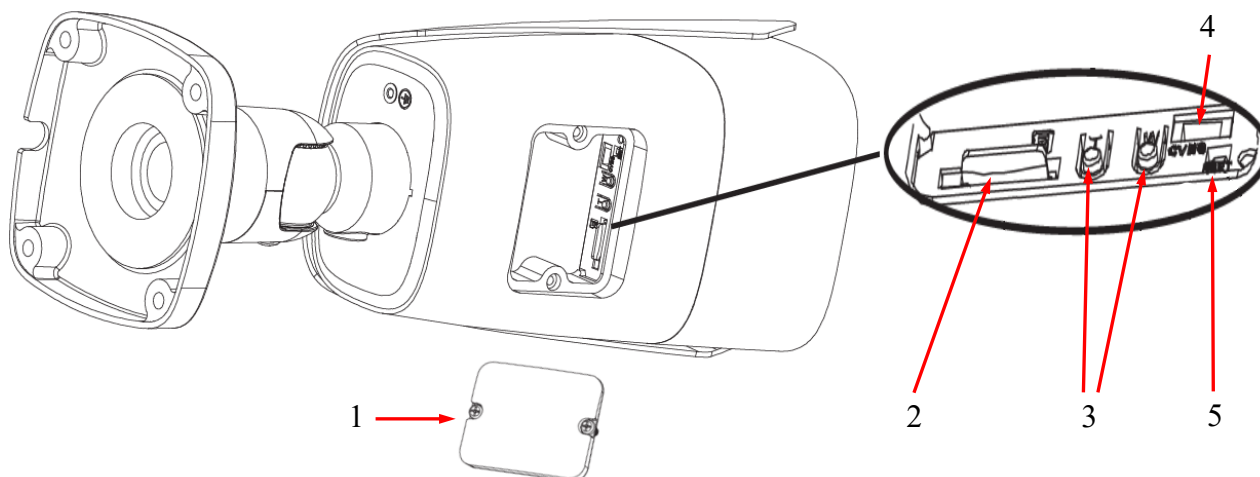


Attention:

The other connectors are not hermetic. The user should ensure their tightness on his own.

START-UP AND INITIAL CONFIGURATION

2.3. Arrangement of connectors and control elements



1. Cover covering connectors and buttons. To gain access to the adjustment elements, unscrew the two screws securing the cover.

Caution! Be careful not to damage or lose the cover gasket. Lack of gasket or its damage may cause the camera to get wet and consequently its failure.

The following items are located under the cover:

2. Micro SD memory card slot
3. Lens adjustment buttons: T - zoom + adjustment, W - zoom - adjustment
4. CVBS socket. Not active on this model.
5. RESET button.

2.4. Power supply connection

The camera can be powered from a commercially available DC power supply, provided that it meets the technical requirements of the camera. The source must provide stabilized 12VDC voltage, must allow the consumption of at least 12W of power, and have a barrel DC 2.1/5.5 plug with the correct polarity of the contacts:



It is also possible to power the camera via the RJ45 network socket, using PoE + technology (IEEE 802.3af or IEEE 802.3at).

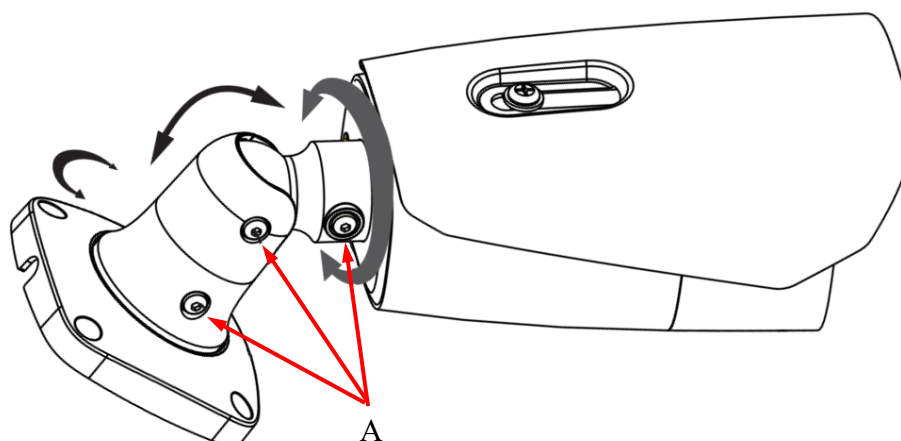
Caution!

It is forbidden to use PoE devices (power supplies, adapters, etc.) that do not comply with the IEEE 802.3af standard, commonly known as "passive PoE power supplies" to power the camera. Damage resulting from the use of unsuitable power sources is not covered under the warranty.

START-UP AND INITIAL CONFIGURATION

2.5. Camera installation

1. Place the mounting template on the surface on which the camera is to be installed and mark the drilling points.
2. Drill holes for mounting screws and cables in the marked places
3. Drill a hole for the signal cable at the connection point (if necessary)
4. Connect the cables and fix the camera foot using the provided pegs and screws
5. Loosen the lock screws "A"
6. Adjust the camera position
7. Tighten the "A" lock screws
8. Adjust the field of view with buttons "T" and "W" (described in point 2.3.)



Caution!

Pay particular attention to the surface to which is attached the camera to have the appropriate capacity.

Caution!

In the case of installation on uneven / rough surfaces, it is recommended to additionally seal the place of mounting the camera foot with sealing compound. Pay particular attention to the mounting holes and if they are through, they should also be sealed.

Caution!

The declared tightness class of the camera applies to its housing and does not take into account the possibility of moisture penetrating the camera through the connection cables. Securing the cables by e.g. sealing them with an appropriate mass or hiding them in a sealed container is the responsibility of the person installing the camera. The manufacturer is not responsible for any damage or damage to the camera caused by failure to fulfill the above-mentioned obligation, which at the same time means that they are not subject to warranty repairs.

START-UP AND INITIAL CONFIGURATION

2.6. Starting the camera

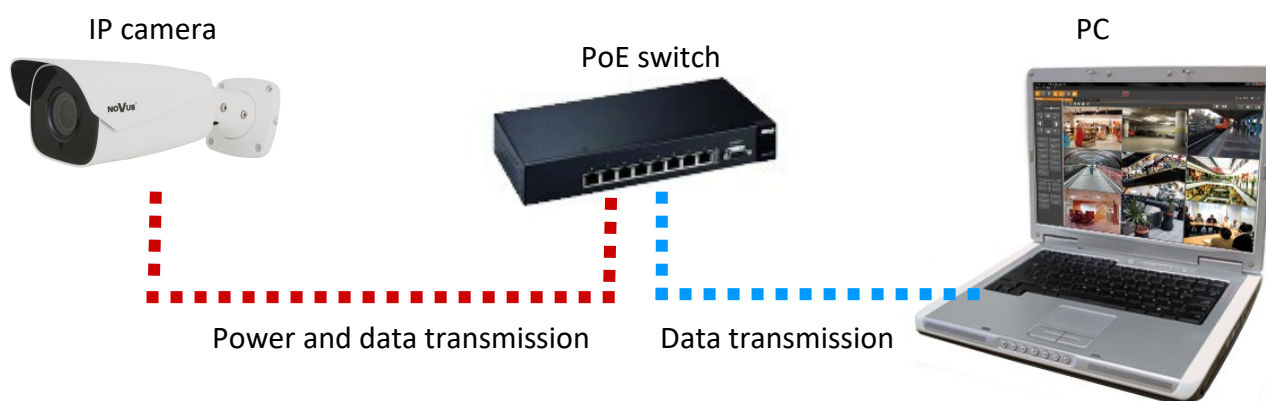
To run NOVUS IP camera you have to connect ethernet cable between camera and network switch.

To power it up you can connect it directly via power supply adapter with parameters compatible with camera power supply specification, or camera can be powered with PoE (IEEE 802.3af) compatible switch.

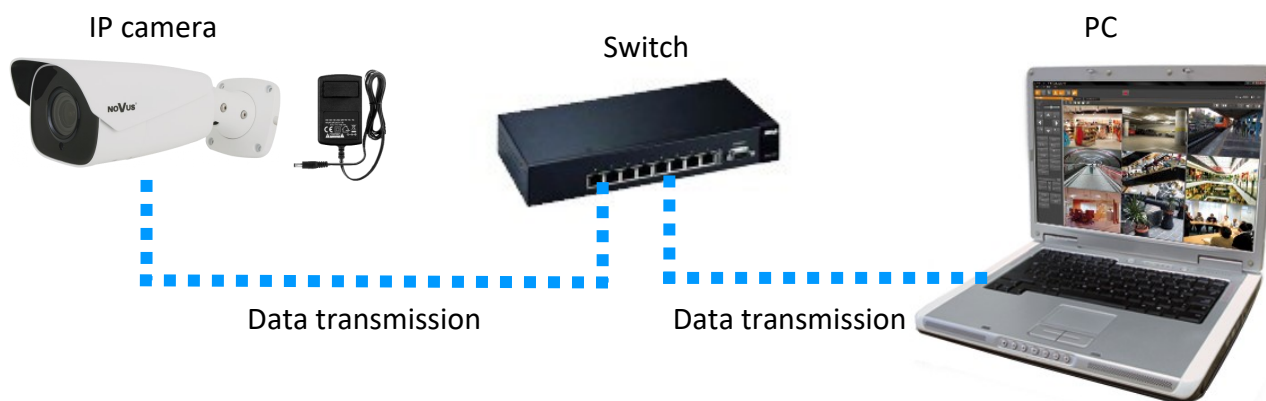
After connecting power supply it takes about 30 seconds to start camera. Then You can proceed to connect to the camera via web browser.

The recommended way to start an IP camera and perform its configuration is a connection directly to the network switch which is not connected to other devices. To obtain further information about network configuration parameters (IP address, gateway, network mask, etc.) please contact your network administrator.

- Connection utilising network switch with PoE support

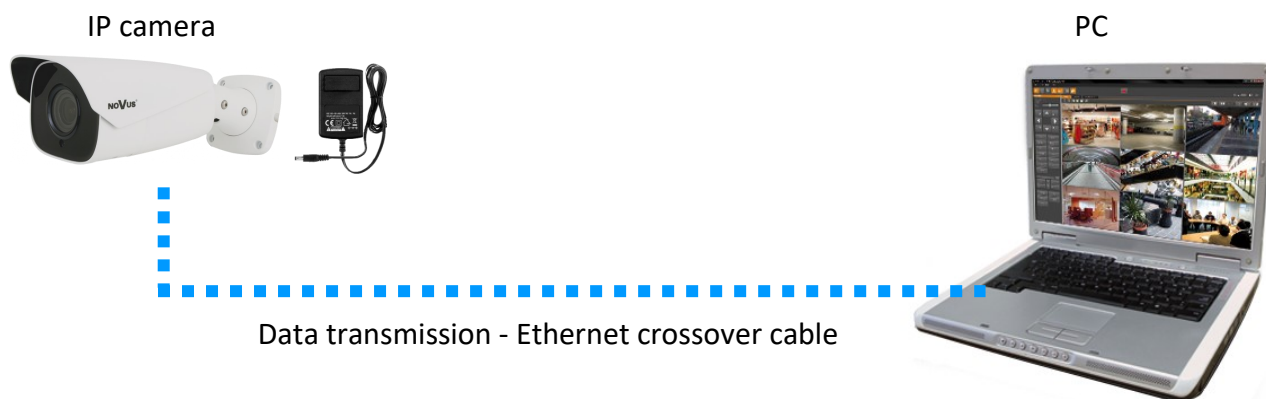


- Connection utilising external power supply and network switch



START-UP AND INITIAL CONFIGURATION

- Connection utilising external power supply directly to the computer



eng

Caution!

In order to provide protection against voltage surges/lightning strikes, usage of appropriate surge protectors is advised. Any damages resulting from surges are not eligible for service repairs.

2.7. Initial configuration via the web browser

The default network settings for 6000 IP camera series are :

1. IP address= **192.168.1.200**
2. Network mask - **255.255.255.0**
3. Gateway - **192.168.1.1**
4. User name - **root**
5. Password - **pass**

Knowing the camera's IP address you need to appropriately set PC IP address, so the two devices can operate in one network subnet (e.g. for IP 192.168.1.1, appropriate address for the camera ranges from 192.168.1.2 to 192.168.1.254, for example 192.168.1.60). It is not allowed to set the same addresses for camera and PC computer

You can either set a network configuration (IP address, gateway, net mask, etc.) of NOVUS IP camera yourself or select DHCP mode (DHCP server is required in this method in target network) by using web browser or by NMS software. When you use DHCP server check IP address lease and its linking with camera MAC address to avoid changing or losing IP address during device operation or network/DHCP server breakdown. You have to remember to use a new camera IP address after changing network parameters.

After network setting configuration has been done, the camera can be connected to a target network.

START-UP AND INITIAL CONFIGURATION

2.8. Security recommendations for network architecture and configuration

Caution!

Below are shown security recommendations for network architecture and configuration of CCTV systems that are connected to the Internet to reduce the risk of unauthorized interference with the system by a third party.

1. Absolutely change the default passwords and user names (if the device gives this possibility) of all applied network devices (recorders, cameras, routers, network switches, etc.) to the severely complexity password. Use lowercase and uppercase letters, numbers, and special characters if there is such possibility.
2. Depending on the available functionality in the order to restrict access to the used network devices at the administrator account level, it is recommended to configure the users accounts accordingly.
3. Do not use DMZ function (Demilitarized zone) in your router. Using that function you open the access to recorder system from the Internet on all ports, which gives possibility for an unauthorized interference with the system.

Instead of DMZ use port forwarding redirect only the ports which are necessary for the performance of the connection (detailed information about ports of communication in different models of recorders, cameras, etc. can be found in the operating instructions).

4. Use routers with firewall function and make sure it is enabled and properly configured.
5. It is recommended to change the default network communication port numbers of used devices if there is such possibility.
6. If used network devices has a UPnP feature and it is not used, turn it off.
7. If used network devices has a P2P feature and it is not used, turn it off.
8. If used network devices support HTTPS protocol for connection, it is recommended to use it.
9. If used network devices support IP filtering for authorized connections function, it is recommended to use it.
10. If used recorder has two network interfaces it is recommended to use both of them to physically separate network for cameras and network for Internet connection. The only device in the system, accessible from Internet will be recorder - there will be no physically access directly to any camera.

NETWORK CONNECTION USING WEB BROWSER

3. NETWORK CONNECTION USING WEB BROWSER

3.1. Recommended PC specification for web browser connections

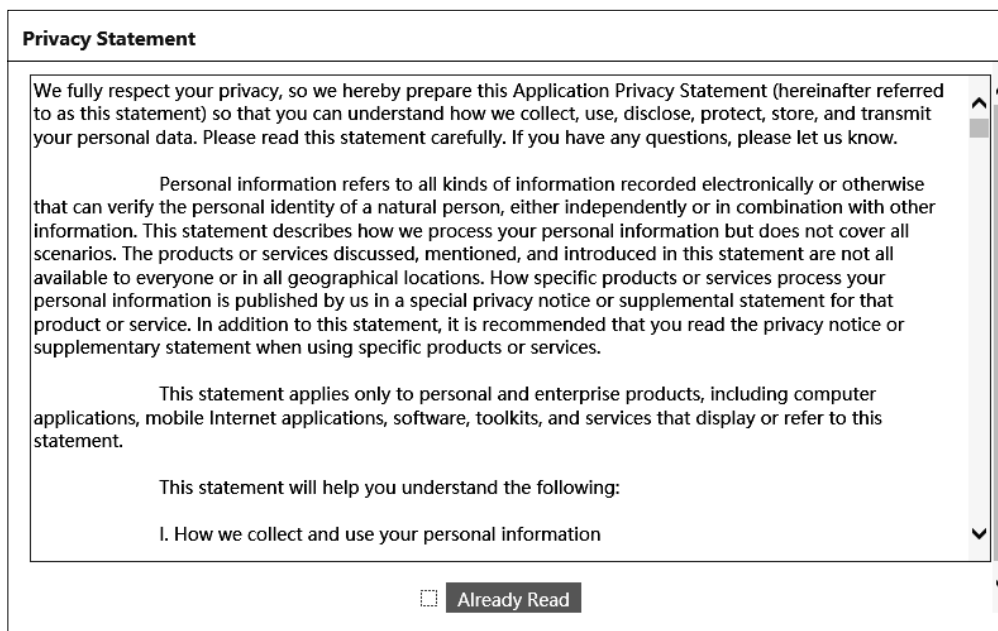
Requirements below apply to connection with an IP camera, assuming smooth image display in 2592 x 1520 resolution and 30 fps speed.

1. CPU Intel i7 3 GHz or faster
2. RAM Memory min. 6 GB
3. VGA card Nvidia GeForce 1GB
4. OS Windows 7 / 8 / 8.1 / 10
5. Network card 100/1000 Mb/s

3.2. Connection with IP camera via web browser

- Connecting to the camera for the first time

Enter the IP address of the camera (default **192.168.1.200**) in the address bar of the web browser. If the address is correct and the target device is currently available, the first connection window will be displayed. In this window, user should read the privacy statement and after reading it, select the checkbox next to the **Already Read** button, and press this button.



The acceptance of the privacy statement cannot be omitted. This window only appears the first time you log in, but it can be displayed again at any time.

Access to the privacy statement can be found in the menu **Config > System > Basic information > Privacy statement**.

NETWORK CONNECTION USING WEB BROWSER

- Device Activation

After accept privacy statement, device activate window appears. In In this window, user should set a password for the administrator account (root).

Leaving the "Activate Onvif user" check box selected, will result in the simultaneous establishment of the Onvif account password, the same as the password for the administrator account.

i If the user deselects the "Activate Onvif user" checkbox during activation, the Onvif account will remain with the default login data (login: *root* and password: *pass*). For security reasons, it is recommended to set the same password for both the Onvif account and the web account.

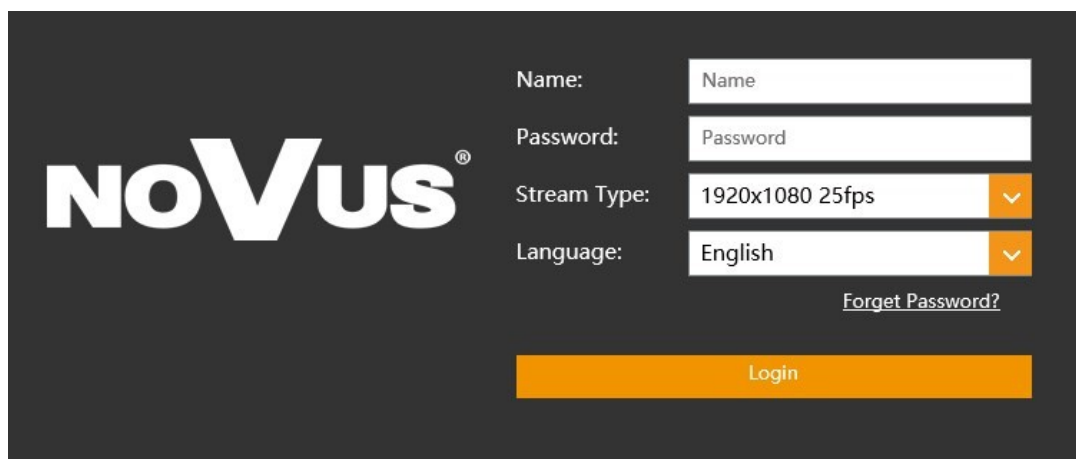
The password must be between 8 and 16 characters long. When entering a new password, its strength is displayed on an ongoing basis by the security level indicator. For maximum security, use upper and lower case letters, numbers and special characters. After entering the correct password twice and confirming it with the **OK** button, the administrator password for the web account (and the Onvif account, depending on your choice) will be saved. The activation window will close and the user will be taken to the login screen.

i **The Web account** is the administrator account created during the activation of the device. It means that the user logging in, by using the **root** login and a predefined password and have access to the full functionality and all available settings in the camera. The account is also used to log in to the camera via the 6000 series network recorders and NMS (Novus Management System) software using the LongPolling event method.

The Onvif account is an account used to log in to the camera via the NMS software (Novus Management System) or using the Onvif or the RTSP protocol. This account is created automatically during activation of the device, and the default login data are login: "root" and password: "pass".

NETWORK CONNECTION USING WEB BROWSER

- Logging in to the camera for the first time

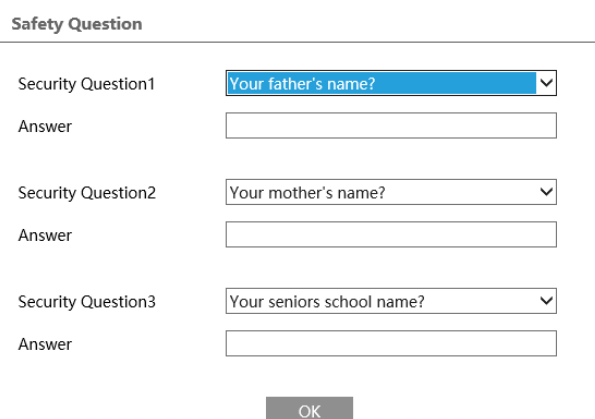


In this window, in order to login to camera, enter the user name **root** and the newly set administrator password. In the **Stream type** field user can select the stream that is displayed in the live view window after login. The **Language** field allows to change the interface language. The **Forget Password** option allows to log in to the camera if you forget the administrator password and for this is required to know the answers to the security questions (set in the next step).

After entering appropriate data, click the **Login** button to login to the web panel of the camera.

- Safety questions

The next step in logging in for the first time is entering answers to the security questions.



In the window that appears, select questions from among those available on the list and enter your own answers. Knowing the right answers is essential to recovering the administrator password.



This step cannot be omitted. The security question window is displayed only during the first login, and the only possibility to change the given answers is to restore the factory settings and go through all stages of the first connection with the camera.

NETWORK CONNECTION USING WEB BROWSER

- Plug-in installation

Caution!

To ensure the correct operation of the function of saving photos and videos on the computer disk, the web browser should be run with administrator rights.

If the browser asks for it, install the **NetAIIPCcamera** plug-in, which is necessary for the proper operation of the camera menu. The lack of the correct add-on is indicated by the following message:



The plugin is not installed or the version needs to be updated, please click [Here](#) to download and install. Before installation, please close your browser.

Click on the "Here" link to start downloading the add-on, then use your browser dialog to install it.

In the window, click the *Run* button, and then follow the instructions of the installer. After the installation is completed, the browser window should be refreshed.



If other tabs were open in the browser window when installing the add-on, the installer will ask you to close the browser. Then, after completing the installation, restart the IE browser and connect to the camera.

Caution:

When working on Windows 7/8/8.1/10, it is possible to block the ActiveX add-on by Windows Defender and User Account Control. In this case, you should allow the add-in to run.

Caution:

If the installation performed in the above-mentioned manner fails, it is recommended to change the browser security level. To do this, select the menu: *Tools -> Internet Options -> Security -> Custom level* and then change:

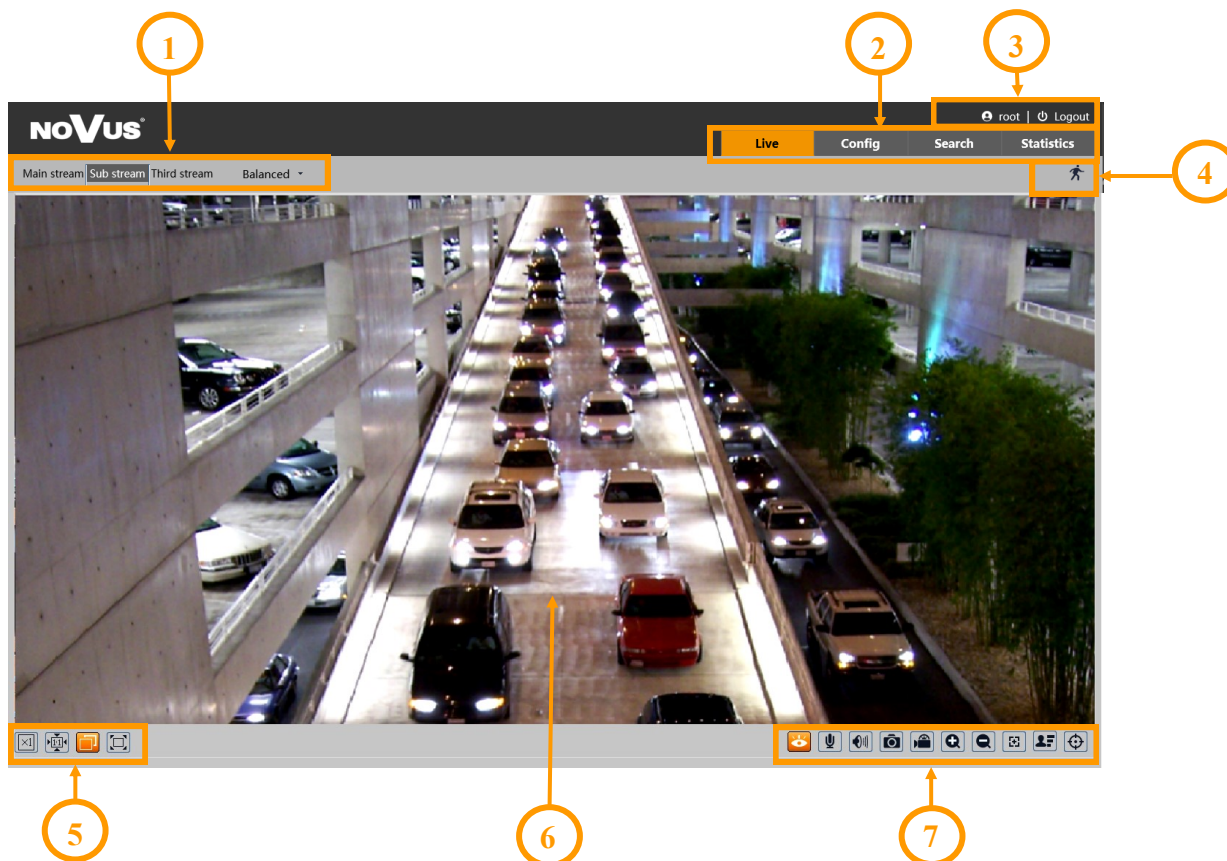
- Downloading unsigned ActiveX controls: set to "Enable" or "Prompt"
- Initialize and script ActiveX controls not marked as safe for execution: set to "Enable" or "Prompt"

You can also add the IP address of the camera to the *Trusted sites* zone and set the zone to a low security level.

WEB INTERFACE - WORKING WITH THE CAMERA

4. WEB INTERFACE - WORKING WITH THE CAMERA

4.1. The remote preview interface



1. Selection of the stream to be displayed in the preview window and set the buffer size of the camera.
2. Camera operation mode selection and configuration buttons:
 - Live - enables the live stream preview
 - Config - displays the camera configuration panel
 - Search - displays the panel for searching and playing back recordings from the memory card
 - Statistics - displays the statistics panel
3. Camera access icons. From left: information about the logged in user, logging out of the camera
4. Alarm event icons display panel:



From left to right: memory card recording indicator, color change, image blur, scene change, leaving the area, entering the area, crossing the line, counting the line crossing, intrusion, face recognition, heat map, counting the area intrusion, object abandoned/missing, motion detection.

The occurrence of a given event is signalled with a flashing red color.

SD CARD INSTALLATION

5. Image adjusting buttons:



From left to right: original size, original aspect ratio, automatic window fit, full screen.

6. Live view window.

Double-clicking the left mouse button on the preview window turns the display of the image on and off in full screen.

7. Buttons for controlling camera functions:

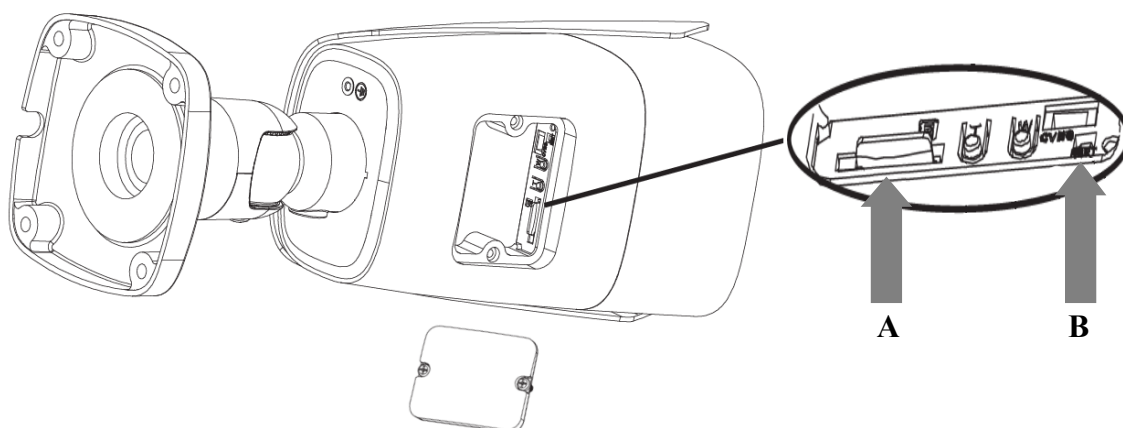


From left to right: turns on/off live view, turns on audio transmission to the camera, turns on audio monitoring, takes a photo, enables/disables recording, digital zoom buttons, enables/disables the PTZ panel, turns on the lens control panel (zoom and focus), enables/disables the panel displaying photos of recognized faces with details (provided the recognized face is in the database), enables/disables the display of image analysis lines and zones

5. SD CARD INSTALLATION

The camera supports micro SD/SDHC cards up to 256 GB. In order to install the card:

- Turn off the power of the camera
- Remove the cover at the bottom of the housing
- Install the SD card in the appropriate slot (indicated by the arrow **A** in the figure below)
- Attach the cover paying attention to the correct position of the gasket
- Turn on the camera
- Check if the card is installed correctly by verifying its size in the tab "Settings -> System -> SD card".



RESTORING FACTORY DEFAULTS

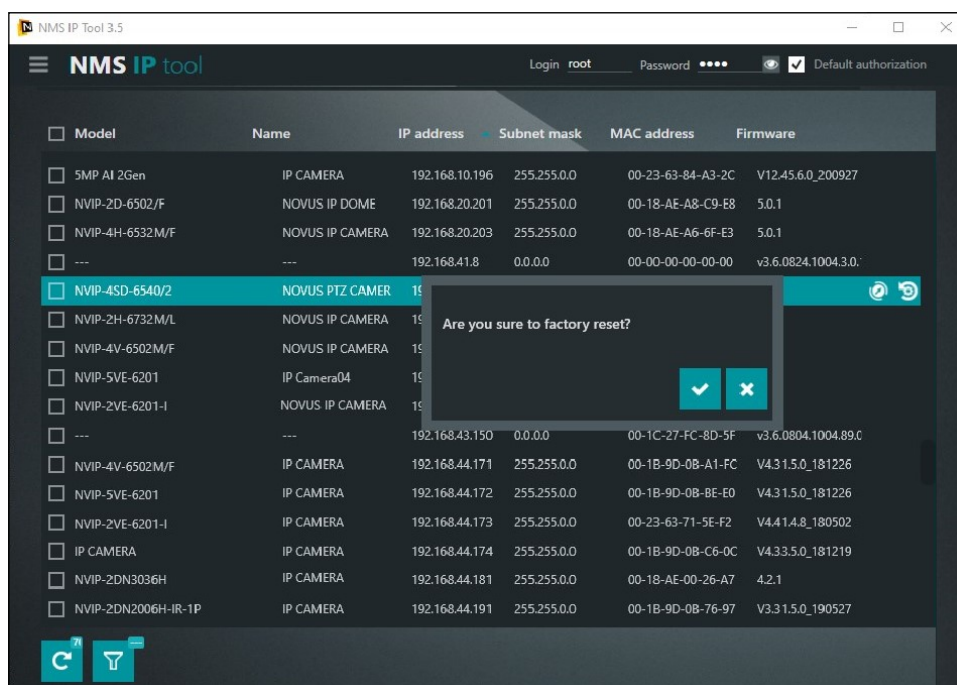
6. RESTORING FACTORY DEFAULTS

6.1. Software factory reset

Resetting the camera to factory settings restores the camera settings to the factory settings. If you check the selected "Keep" option, you can keep the network settings, security configuration or image configuration unchanged. The option to restore factory settings is in the tab "Config -> Maintenance -> Backup and Restore".

6.2. Software factory reset using the NMSiptool

Using NMSiptool, the user can restore factory settings. This is done by selecting a camera from the list, clicking on the factory reset icon and confirming it in the dialog box. Then, within 30 seconds of confirming, power off and reconnect the camera.



6.3. Hardware factory reset

In order to restore factory settings of the camera by hardware, please follow the instructions:

- Remove the cover at the bottom of the housing
- Press the RESET button (indicated by the arrow **B** in the figure on the previous page) for about 10 seconds
- Release the button
- Wait for the camera to start up - it takes about 2 minutes
- Attach the cover paying attention to the correct position of the gasket
- Log in again using the default IP address, username and password

noVus[®]

AAT SYSTEMY BEZPIECZEŃSTWA Sp. z o.o.

431 Pulawska St., 02-801 Warsaw, Poland

tel.: +4822 546 0 546, kontakt@aat.pl

www.novuscctv.com

Skrócona instrukcja obsługi



NVIP-4H-6532M/F-II

NOVUS[®]

UWAGI I OSTRZEŻENIA

PRODUKT SPEŁNIA WYMAGANIA ZAWARTE W DYREKTYWACH:



DYREKTYWA PARLAMENTU EUROPEJSKIEGO I RADY 2014/30/UE z dnia 26 lutego 2014 r. w sprawie harmonizacji ustawodawstw państw członkowskich odnoszących się do kompatybilności elektromagnetycznej (Dz.U. L 096 z 29.3.2014, s. 79-106, z późniejszymi zmianami) – zwana Dyrektywą EMC.



DYREKTYWA PARLAMENTU EUROPEJSKIEGO I RADY 2012/19/UE z dnia 4 lipca 2012 r. w sprawie zużytego sprzętu elektrycznego i elektronicznego WEEE (Dz.U. L 96 z 29.3.2014, str. 79-106, z późniejszymi zmianami) – zwana Dyrektywą WEEE.



DYREKTYWA PARLAMENTU EUROPEJSKIEGO I RADY 2011/65/UE z dnia 8 czerwca 2011 r. w sprawie ograniczenia stosowania niektórych niebezpiecznych substancji w sprzęcie elektrycznym i elektronicznym (Dz.U. L 174 z 1.7.2011, str. 88-110, z późniejszymi zmianami) - zwana Dyrektywą RoHS.

DYREKTYWA DELEGOWANA KOMISJI (UE) 2015/863 z dnia 31 marca 2015 r. zmieniająca załącznik II do dyrektywy Parlamentu Europejskiego i Rady 011/65/UE w odniesieniu do wykazu substancji objętych ograniczeniem (Dz. U. z 3 stycznia 2017).

DYREKTYWA PARLAMENTU EUROPEJSKIEGO I RADY (UE) 2017/2102 z dnia 15 listopada 2017 r. zmieniająca dyrektywę 2011/65/UE w sprawie ograniczenia stosowania niektórych niebezpiecznych substancji w sprzęcie elektrycznym i elektronicznym (Dz. U. z 10 lipca 2019).

Informacja

Urządzenie, jako element profesjonalnego systemu telewizji dozorowej służącego do nadzoru i kontroli, nie jest przeznaczone do samodzielnego montażu w gospodarstwach domowych przez osoby nie posiadające specjalistycznej wiedzy.

Wyłączenie odpowiedzialności, w przypadku uszkodzenia danych zawartych na dyskach i/lub innych nośnikach danych:

Producent nie ponosi odpowiedzialności w razie uszkodzenia lub utraty w trakcie eksploatacji Produktu danych zawartych na dyskach i/lub innych nośnikach danych.

Obowiązek konsultowania się z Producentem przed wykonaniem czynności nieprzewidzianej instrukcją obsługi albo innymi dokumentami:

Przed wykonaniem czynności, która nie jest przewidziana dla danego Produktu w instrukcji obsługi, innych dokumentach dołączonych do Produktu lub nie wynika ze zwykłego przeznaczenia Produktu, należy, pod rygorem wyłączenia odpowiedzialności Producenta za następstwa takiej czynności, skontaktować się z Producentem.



Zamieszczone w niniejszej publikacji zdjęcia przedstawiające obrazy z kamer mogą być symulacjami. Rzeczywiste obrazy z kamer mogą się różnić, w zależności od typu, modelu, ustawień, obszaru obserwacji lub warunków zewnętrznych.

WARUNKI BEZPIECZEŃSTWA

UWAGA!

ZNAJOMOŚĆ NINIEJSZEJ INSTRUKCJI JEST NIEZBĘDNYM WARUNKIEM PRAWIDŁOWEJ EKSPLOATACJI URZĄDZENIA. PROSIMY O ZAPOZNANIE SIĘ Z NIM PRZED PRZYSTĄPIENIEM DO INSTALACJI I OBSŁUGI URZĄDZENIA.

UWAGA!

NIE WOLNO DOKONYWAĆ ŻADNYCH SAMODZIELNYCH NAPRAW. WSZYSTKIE NAPRAWY MOGĄ BYĆ REALIZOWANE JEDYNIEM PRZEZ WYKWALIFIKOWANYCH PRACOWNIKÓW SERWISU.

1. Przed zainstalowaniem i rozpoczęciem eksploatacji należy dokładnie zapoznać się z niniejszą instrukcją obsługi i zawartymi w niej wymogami bezpieczeństwa;
2. Uprasza się o zachowanie instrukcji na czas eksploatacji kamery na wypadek konieczności odniesienia się do zawartych w niej treści;
3. Należy skrupulatnie przestrzegać wymogów bezpieczeństwa opisanych w instrukcji, gdyż mają one bezpośredni wpływ na bezpieczeństwo użytkowników i trwałość oraz niezawodność urządzenia;
4. Wszystkie czynności wykonywane przez instalatorów i użytkowników muszą być realizowane zgodnie z opisem zawartym w instrukcji;
5. W czasie czynności konserwatorskich urządzenie musi być odłączone od zasilania;
6. Nie wolno stosować żadnych dodatkowych urządzeń lub podzespołów nie przewidzianych i nie zalecanych przez producenta;
7. Nie wolno używać kamery w środowisku o dużej wilgotności (np. w pobliżu basenów, wani, w wilgotnych piwnicach);
8. Nie należy instalować tego urządzenia w miejscu, gdzie nie można zapewnić właściwej wentylacji (np. zamknięte szafki, itp.), co powoduje zatrzymanie się ciepła i w konsekwencji może doprowadzić do uszkodzenia;
9. Nie wolno umieszczać kamery na niestabilnych powierzchniach. Kamera musi być instalowana przez wykwalifikowany personel o odpowiednich uprawnieniach według zaleceń podanych w niniejszej instrukcji;
10. Urządzenie może być zasilane jedynie ze źródeł o parametrach zgodnych ze wskazanymi przez producenta w danych technicznych. Dlatego też zabrania się zasilania kamery ze źródeł o nieznanym, niestabilnym lub niezgodnym z wymaganiami określonymi przez producenta parametrach

Ponieważ produkt jest stale ulepszany i optymalizowany niektóre parametry i funkcje opisane w załączonej instrukcji mogły ulec zmianie.

Prosimy o zapoznanie się z najnowszą instrukcją obsługi znajdującą się na stronie www.novuscctv.com

Instrukcja obsługi znajdującą się na stronie www.novuscctv.com jest zawsze najbardziej aktualną wersją.

SPIS TREŚCI

| | |
|--|----|
| SPIS TREŚCI | 4 |
| 1. INFORMACJE WSTĘPNE | 5 |
| 1.1. Charakterystyka ogólna | 5 |
| 1.2. Dane techniczne | 6 |
| 1.3. Wymiary kamery | 8 |
| 1.4. Zawartość opakowania | 8 |
| 2. URUCHAMIANIE I WSTĘPNA KONFIGURACJA | 9 |
| 2.1. Opis złącz elektrycznych kamery | 9 |
| 2.2. Podłączenie kabla sieciowego | 9 |
| 2.3. Rozmieszczenie gniazd i elementów regulacyjnych | 10 |
| 2.4. Podłączenie zasilania | 10 |
| 2.5. Montaż kamery | 11 |
| 2.6. Uruchomienie kamery | 12 |
| 2.7. Konfiguracja parametrów przy użyciu przeglądarki internetowej | 13 |
| 2.8. Zalecenia dotyczące bezpieczeństwa sieci | 14 |
| 3. POŁĄCZENIA SIECIOWE ZA POMOCĄ PRZEGLĄDARKI WWW | 15 |
| 3.1. Zalecana konfiguracja komputera PC do połączeń przez przeglądarkę WWW | 15 |
| 3.2. Połączenie sieciowe z kamerą IP za pomocą przeglądarki WWW | 15 |
| 4. INTERFEJS WWW - PRACA Z KAMERĄ | 19 |
| 4.1. Widok okna zdalnego podglądu | 19 |
| 5. INSTALACJA KARTY SD | 20 |
| 6. PRZYWRACANIE USTAWIEŃ FABRYCZNYCH | 21 |
| 6.1. Programowe przywracanie ustawień fabrycznych | 21 |
| 6.2. Przywracanie ustawień fabrycznych z poziomu programu NMS IPTool | 21 |
| 6.3. Sprzętowe przywracanie ustawień fabrycznych | 21 |

INFORMACJE WSTĘPNE

1. INFORMACJE WSTĘPNE

1.1. Charakterystyka ogólna

- Rozdzielczość przetwornika: 4.0 megapiksele
- Mechaniczny filtr podczerwieni (możliwość pracy w podczerwieni)
- Czułość od 0.005 lx/F1.6 - tryb kolorowy, (0 lx przy włączonym oświetlaczu podczerwieni)
- Szeroki zakres dynamiki (WDR)
- Wydłużony czas ekspozycji (DSS)
- Cyfrowa redukcja szumu (DNR)
- Funkcja Defog (F-DNR)
- Redukcja efektu oślepienia kamery (HLC)
- Kompensacja tylnego światła (BLC)
- Redukcja migotania obrazu (Antiflicker)
- Obiektyw motor-zoom z automatyczną przysłoną, $f=7 \sim 22$ mm/F1.6
- Wbudowany oświetlacz podczerwieni: 4 diody LED
- Kompresja wideo/audio: H.264, H.264+, H.265, H.265+, MJPEG/G.711
- Rozdzielczość przetwarzania wideo do 2592 x 1520
- Praca w trybie trójstrumieniowym: możliwość definiowania kompresji, rozdzielczości, prędkości i jakości dla każdego strumienia
- Wsparcie dla protokołu ONVIF
- Obsługa protokołu RTSP do transmisji wideo
- Obszary obserwacji ROI
- Strefy prywatności
- Wspieranie obsługi karty microSD, pojemność do 256 GB
- Wejście i wyjście audio
- Wejście i wyjście alarmowe
- Sprzętowy przycisk Reset
- Funkcje analizy obrazu w oparciu o Deep Learning, z klasyfikacją obiektów typu człowiek, pojazd
- Możliwość definiowania reakcji systemu na zdarzenia alarmowe: wysłanie e-mail z załącznikiem, zapis na kartę SD, zapis na FTP, wyzwolenie wyjścia alarmowego
- Oprogramowanie: NMS (NOVUS MANAGEMENT SYSTEM) - do rejestracji wideo, podglądu „na żywo”, odtwarzania oraz zdalnej konfiguracji urządzeń wideo IP
- Zasilanie 12 VDC / PoE

INFORMACJE WSTĘPNE**1.2. Dane techniczne**

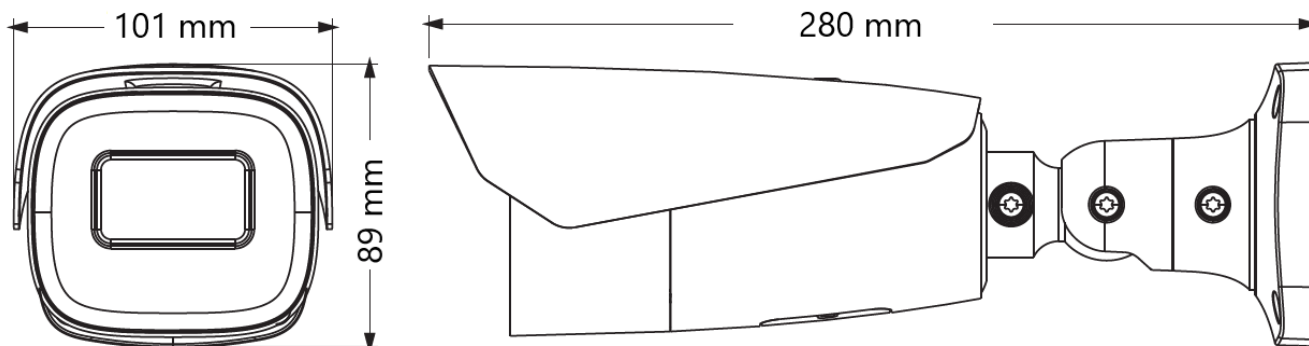
| OBRAZ | |
|---|---|
| Przetwornik obrazu | 4 MPX, matryca CMOS, 1/3", SmartSens |
| Liczba efektywnych pikseli | 2688 (H) x 1520 (V) |
| Czułość | 0.005 lx/F1.6 - tryb kolorowy, 0 lx (IR wł.) - tryb czarno-biały |
| Elektroniczna migawka | automatyczna/manualna: 1/2 s ~ 1/100000 s |
| Wydłużona migawka (DSS) | do 1/2 s |
| Szeroki zakres dynamiki (WDR) | tak 120dB |
| Cyfrowa redukcja szumu (DNR) | 2D, 3D |
| Funkcja Defog (F-DNR) | tak |
| Redukcja efektu oślepienia kamery (HLC) | tak |
| Kompensacja tylnego światła (BLC) | tak |
| Redukcja migotania obrazu (Antiflicker) | tak |
| OBIEKTYW | |
| Typ obiektywu | motor-zoom z automatyczną przysłoną, f=7 ~ 22 mm/F1.6 |
| Auto-focus | po zmianie krotności zoomu, przy przełączaniu pomiędzy trybami dzień/noc, wyzwalany ręcznie |
| DZIEŃ/NOC | |
| Rodzaj przełączania | mechaniczny filtr podczerwieni |
| Tryb przełączania | automatyczny, manualny, czasowy |
| Regulacja poziomu przełączania | tak |
| Opóźnienie przełączania | 2 ~ 120 s |
| Harmonogram przełączania | tak |
| Czujnik światła widzialnego | tak |
| SIEĆ | |
| Rozdzielczość strumienia wideo | 2592 x 1520, 2560 x 1440 (QHD), 2304 x 1296, 1920 x 1080 (Full HD), 1280 x 720 (HD), 640 x 480 (VGA), 480 x 240, 320 x 240 (QVGA) |
| Prędkość przetwarzania | 30 kl/s dla wszystkich rozdzielczości, 60 kl/s dla 1920 x 1080 (Full HD) i niższych rozdzielczości |
| Tryb wielostrumieniowy | 3 strumienie |
| Kompresja wideo/audio | H.264, H.264+, H.265, H.265+, MJPEG/G.711 |
| Liczba jednoczesnych połączeń | maks. 10 |
| Przepustowość | łącznie 50 Mb/s |
| Obsługiwane protokoły sieciowe | HTTP, TCP/IP, IPv4/v6, UDP, HTTPS, FTP, DHCP, DDNS, NTP, RTSP, RTP, UPnP, SNMP, QoS, IEEE 802.1X, PPPoE, SMTP, RTCP, RTMP, HTML5 |
| Wsparcie protokołu ONVIF | Profile S/G |
| Konfiguracja kamery | z poziomu przeglądarki Internet Explorer, Firefox, Chrome, Opera, Edge języki: polski, angielski, rosyjski, i inne |
| Kompatybilne oprogramowanie | NMS, N Control 6000 |
| Aplikacje mobilne | SuperLive Plus (iPhone, Android) |

INFORMACJE WSTĘPNE

| POZOSTAŁE FUNKCJE | |
|------------------------------------|--|
| Strefy prywatności | 4 typu kolor lub 4 typu mozaika |
| Detekcja ruchu | tak |
| Obszar obserwacji (ROI) | 8 |
| Analiza obrazu | sabotaż, pozostawienie obiektu, zniknięcie obiektu, przekroczenie linii, wkroczenie do strefy, wyjście ze strefy, zliczanie obiektów, detekcja twarzy, detekcja osób nienoszących maski, zliczanie przekroczeń linii, mapa ciepła, zmiana sceny, utrata ostrości, zmiana kolorystyki, rozróżnianie obiektów, zliczanie osób, zliczanie pojazdów, wtargnięcie |
| Obróbka obrazu | obrót obrazu o 90°, obrót obrazu o 180°, wyostżanie, odbicie lustrzane, tryb korytarzowy, przerzucenie obrazu w pionie, przerzucenie obrazu w poziomie, korekcja efektu dystorsji obiektywu |
| Prealarm/postalarm | do 6 s/do 120 s |
| Reakcja na zdarzenia alarmowe | e-mail, e-mail z załącznikiem, zapis na FTP, zapis na kartę SD, aktywacja wyjścia alarmowego |
| Przywracanie ustawień fabrycznych | z poziomu przeglądarki internetowej, za pomocą przycisku reset, za pomocą oprogramowania NMS IPTool |
| OŚWIETLACZ IR | |
| Liczba LED | 4 |
| Zasięg | do 100 m (zależny od aktualnej wartości zoomu optycznego) |
| Smart IR | tak (wsparcie programowe) |
| INTERFEJSY | |
| Wyjście wideo | BNC, 1.0 Vp-p, 75 Ohm |
| Wejścia/wyjścia audio | 1 x Jack (3.5 mm)/1 x Jack (3.5 mm) |
| Wejścia/wyjścia alarmowe | 1 (NO/NC)/1 typu przekaźnik (maks. 1A 30VDC/0,5A 125VAC) |
| Interfejs sieciowy | 1 x Ethernet - złącze RJ-45, 10/100 Mbit/s |
| Gniazdo kart pamięci | microSD - pojemność do 256GB |
| PARAMETRY INSTALACYJNE | |
| Wymiary (mm) | z uchwytem: 101 (szer.) x 89 (wys.) x 280 (dł.) |
| Masa | 1.1 kg |
| Klasa szczelności | IP 67 (szczegóły w instrukcji obsługi) |
| Obudowa | aluminiowa, w kolorze białym lub szarym, uchwyt ścienny z przepustem kablowym w zestawie, stopień ochrony IK10 |
| Zasilanie | PoE, 12 VDC |
| Zabezpieczenia przeciwprzepięciowe | TVS 4000 V |
| Pobór mocy | 7 W, 9.5 W (oświetlacz IR wł.) |
| Temperatura pracy | -30°C ~ 60°C |
| Wilgotność | maksymalnie 95%, względna (bez kondensacji) |

INFORMACJE WSTĘPNE

1.3. Wymiary kamery



1.4. Zawartość opakowania

Po otwarciu należy upewnić się czy w opakowaniu znajdują się następujące elementy:

- Kamera IP
- Torebka z akcesoriami montażowymi
- Skrócona instrukcja obsługi.

Jeżeli którykolwiek z elementów został uszkodzony w transporcie, należy spakować zawartość z powrotem do oryginalnego opakowania i skontaktować się z dostawcą.

Uwaga:

Jeżeli urządzenie przyniesione zostało z pomieszczenia o niższej temperaturze należy odczekać aż osiągnie temperaturę pomieszczenia, w którym ma pracować. Nie wolno włączać urządzenia bezpośrednio po przyniesieniu z chłodniejszego miejsca. Kondensacja zawartej w powietrzu pary wodnej może spowodować zwarcia i w konsekwencji uszkodzenie urządzenia.

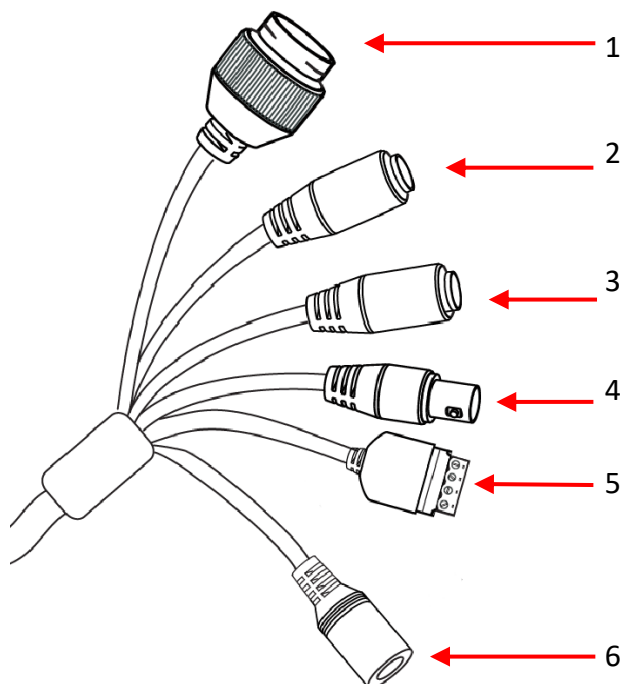
URUCHAMIANIE I WSTĘPNA KONFIGURACJA

2. URUCHAMIANIE I WSTĘPNA KONFIGURACJA

Przed uruchomieniem urządzenia należy zapoznać się z opisem i rolą poszczególnych wejść, wyjść oraz elementów regulacyjnych, w które wyposażone są kamery.

2.1. Opis złączy elektrycznych kamery

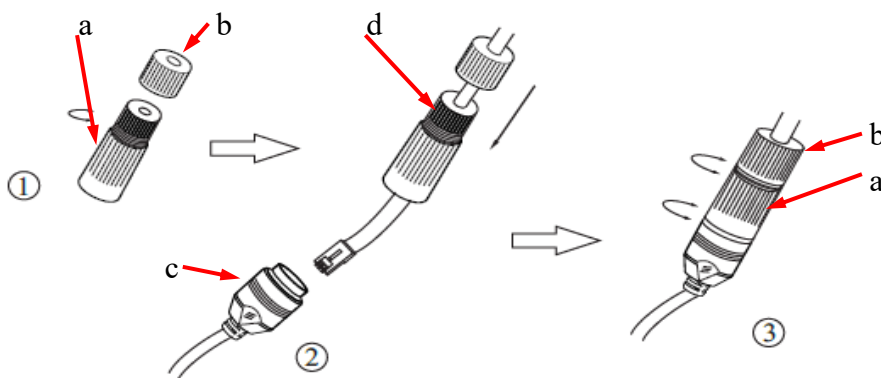
1. Port Ethernet 100 Mb/s (hermetyczne gniazdo RJ-45)
2. Wyjście audio (HP)
3. Wejście audio (MIC)
4. Złącze BNC z wyjściem wideo CVBS
5. Złącze Alarmowe:
 1. Wyjście alarmowe COM
 2. Wyjście alarmowe
 3. Wejście alarmowe
 4. Wejście alarmowe GND
6. Złącze zasilania kamery 12VDC



2.2. Podłączenie kabla sieciowego

Aby zachować hermetyczność połączenia kabla sieciowego należy postępować zgodnie z poniższą instrukcją:

1. Odkręcić nakrętkę (b) od osłony złącza (a), założyć pierścień uszczelniający na gniazdo (c)
2. Poprowadzić kabel sieciowy przez elementy (a) i (b). Włożyć wtyczkę RJ-45 do gniazda (c)
3. Nakręcić osłonę złącza (a) na gniazdo (c). W górną część osłony złącza (a) wcisnąć do oporu uszczelkę kabla (d) - uszczelka ma przecięcie umożliwiające założenie na przewód.
4. Dokręcić do oporu nakrętkę (b)

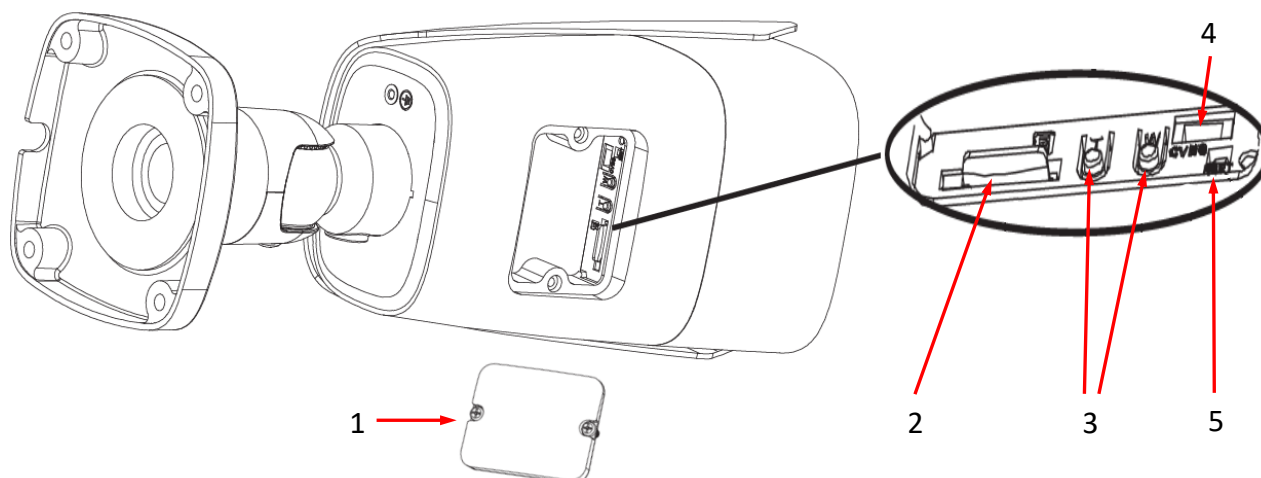


Uwaga!

Pozostałe złącza nie są hermetyczne. Użytkownik powinien zapewnić ich szczelność we własnym zakresie.

URUCHAMIANIE I WSTĘPNA KONFIGURACJA

2.3. Rozmieszczenie gniazd i elementów regulacyjnych



1. Pokrywa osłaniająca złącza i przyciski. Aby uzyskać dostęp do elementów regulacyjnych należy odkręcić dwie śruby mocujące pokrywę.

Uwaga! Należy zwrócić uwagę, aby nie uszkodzić ani nie zgubić uszczelki pokrywy. Brak uszczelki lub jej uszkodzenie może spowodować zawilgocenie kamery i w konsekwencji jej awarię.

Pod pokrywą znajdują się następujące elementy:

2. Gniazdo karty pamięci micro SD
3. Przyciski regulacji obiektywu: T - regulacja zoom +, W - regulacja zoom -
4. Gniazdo CVBS. Nie aktywne w tym modelu.
5. Przycisk RESET.

2.4. Podłączenie zasilania

Kamerę można zasilic z dostępnego na rynku zasilacza prądu stałego, pod warunkiem spełnienia przez niego wymogów technicznych kamery. Zasilacz musi dostarczać stabilizowanego napięcia stałego o wartości 12V, musi pozwalać na pobór co najmniej 12W mocy, oraz posiadać wtyk zasilający walcowy DC 2.1/5.5 o właściwej polaryzacji styków:



Możliwe jest także zasilanie kamery przez gniazdo sieciowe RJ45, przy wykorzystaniu technologii PoE+ (IEEE 802.3af lub IEEE 802.3at).

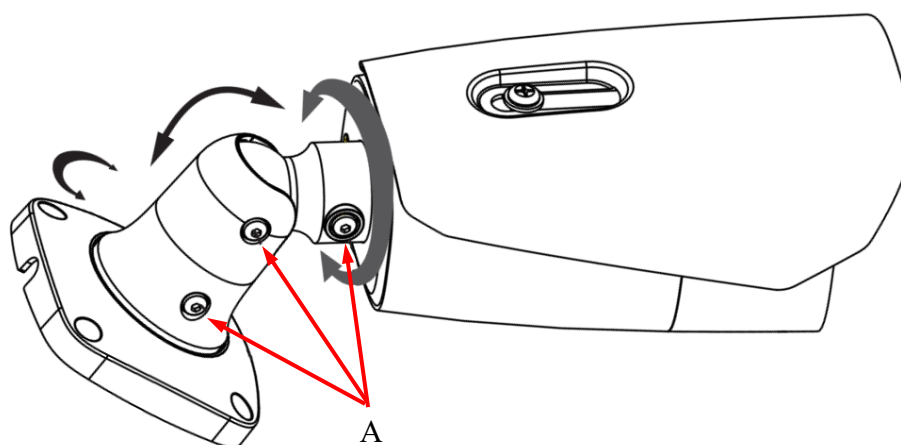
Uwaga!

Zabronione jest stosowanie do zasilania kamery urządzeń (zasilaczy, adapterów itp.) PoE niezgodnych ze standardem IEEE 802.3af, potocznie nazywanych „pasywne zasilacze PoE”. Uszkodzenia wynikłe ze stosowania nieodpowiednich źródeł zasilania nie podlegają gwarancji.

URUCHAMIANIE I WSTĘPNA KONFIGURACJA

2.5. Montaż kamery

1. Przyłożyć szablon montażowy do powierzchni na której ma zostać zamocowana kamera i używając go jako wzornika zaznaczyć punkty wiercenia.
2. Wywiercić w zaznaczonych miejscach otwory pod wkręty mocujące
3. Wywiercić otwór pod kabel sygnałowy w miejscu podłączenia (w miarę potrzeby)
4. Podłączyć przewody i zamocować stopę kamery przy użyciu załączonych kołków i wkrętów
5. Poluzować śruby kontrujące „A”
6. Dokonać regulacji położenia kamery
7. Dokręcić śruby kontrujące „A”
8. Wyregulować pole widzenia przyciskami „T” i „W” (opisane w punkcie 2.3.)



Uwaga!

Należy zwrócić szczególną uwagę, aby powierzchnia do której mocowana jest kamera miała odpowiednią nośność.

Uwaga!

W przypadku instalacji na nierównych/chropowatych powierzchniach, zalecane jest aby miejsce instalacji uchwytu dodatkowo uzupełnić masą uszczelniającą. Szczególną uwagę należy zwrócić również na otwory montażowe i jeśli są przelotowe należy je uszczelnić.

Uwaga!

Deklarowana klasa szczelności kamery dotyczy jej obudowy i nie uwzględnia możliwości wnikania wilgoci do wnętrza kamery poprzez przewody przyłączeniowe. Zabezpieczenie przewodów poprzez np. uszczelnienie ich odpowiednią masą lub ukrycie w szczelnym pojemniku jest obowiązkiem osoby instalującej kamerę. Producent nie ponosi odpowiedzialności za wszelkie szkody, uszkodzenia kamery powstałe w skutek niedopełnienia w/w obowiązku co jednocześnie oznacza, iż nie podlegają one naprawom gwarancyjnym.

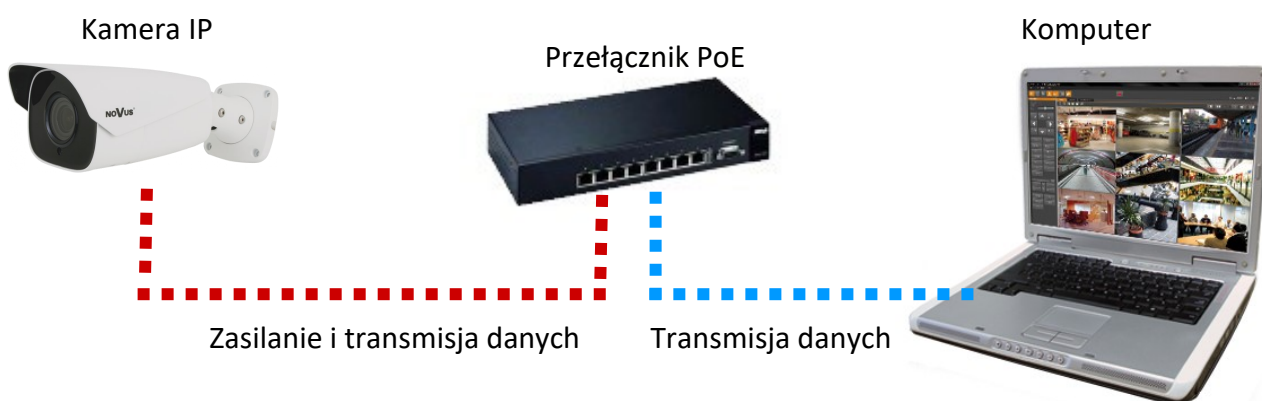
URUCHAMIANIE I WSTĘPNA KONFIGURACJA

2.6. Uruchomienie kamery

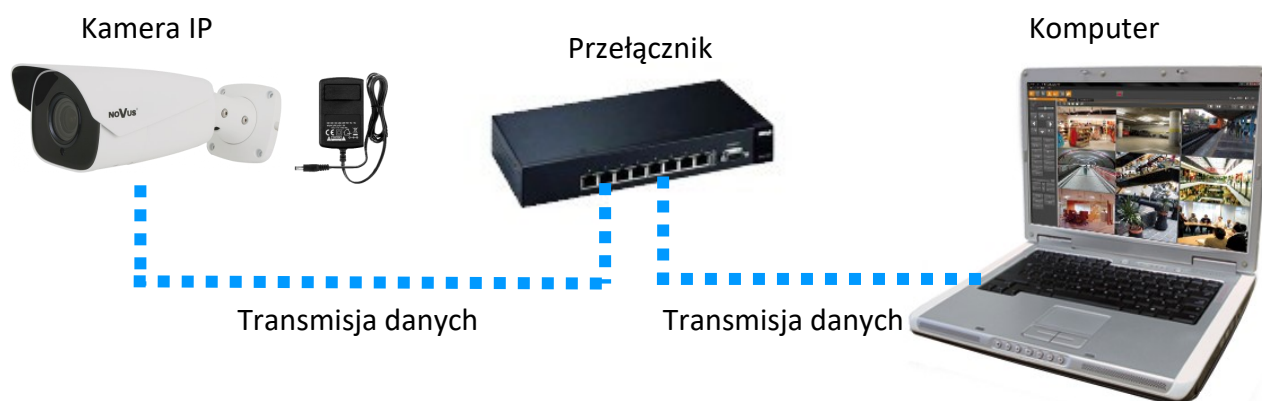
W celu uruchomienia kamery należy podłączyć kabel ethernetowy do gniazda sieciowego RJ45 kamery IP, a drugi koniec do przełącznika sieciowego. Jako źródło zasilania możliwe jest wykorzystanie zewnętrznego stabilizowanego zasilacza o parametrach spełniających wymagania kamery lub przełącznika sieciowego PoE w standardzie zgodnym z IEEE 802.3af.

Zalecaną metodą uruchomienia i konfiguracji kamery IP jest połączenie jej do komputera PC lub laptopa w wydzielonym przełączniku sieciowym, do którego nie ma podłączonych innych urządzeń. W przypadku zasilania z zewnętrznego zasilacza wystarczy zastosować dowolny przełącznik sieciowy, lub kabel podłączony bezpośrednio do komputera. W celu uzyskania danych potrzebnych do konfiguracji sieci (adres IP, brama, maska sieci itd.) należy skontaktować się z administratorem sieci, w której urządzenie ma pracować.

- Połączenie wykorzystujące przełącznik sieciowy PoE

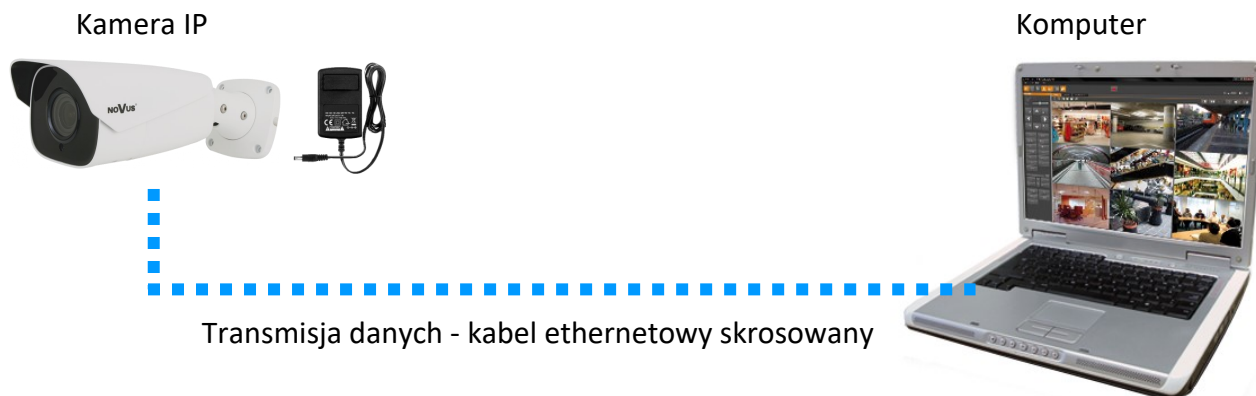


- Połączenie wykorzystujące zewnętrzne zasilanie kamery i przełącznik sieciowy



URUCHAMIANIE I WSTĘPNA KONFIGURACJA

- Połączenie wykorzystujące zewnętrzne zasilanie kamery i kabel ethernetowy



Uwaga!

W celu ochrony kamery przed uszkodzeniem zalecane jest zastosowanie zabezpieczeń przepięciowych. Awarie powstałe w wyniku przepięć nie podlegają naprawie gwarancyjnej.

2.7. Konfiguracja parametrów przy użyciu przeglądarki internetowej

Konfigurację sieciową kamery można przeprowadzić przy pomocy przeglądarki internetowej.

Domyślne ustawienia sieciowe dla kamer IP serii 6000 to :

1. Adres IP = **192.168.1.200**
2. Maska sieci - **255.255.255.0**
3. Brama - **192.168.1.1**
4. Nazwa użytkownika - **root**
5. Hasło - **pass**

Znając adres IP kamery należy ustawić adres IP komputera w taki sposób aby oba urządzenia pracowały w jednej podsieci (dla adresu IP kamery 192.168.1.200 jako adres IP komputera PC możemy ustawić adres z zakresu 192.168.1.0 - 192.168.1.254, np.: 192.168.1.60). Niedopuszczalne jest ustawianie adresu komputera takiego samego jak adres kamery.

Wykorzystując połączenie przez przeglądarkę internetową Internet Explorer lub oprogramowanie NMS należy ustawić docelową konfigurację sieciową (adres IP, maskę sieci, bramę, serwery DNS) lub włączyć tryb pracy DHCP pozwalający na pobranie adresu IP z serwera DHCP (wymagany jest wówczas działający serwer DHCP). W przypadku korzystania z serwera DHCP należy upewnić się co do długości okresu dzierżawy adresu IP, jego powiązania z adresem MAC kamery IP w celu uniknięcia zmiany lub utraty adresu IP w czasie pracy urządzenia lub chwilowej awarii sieci / serwera DHCP. Należy pamiętać że po zmianie adresu IP kamera zostanie zresetowana i trzeba wpisać nowy adres w przeglądarce internetowej. Po konfiguracji ustawień sieciowych pozwalających na bezkonfliktową pracę urządzenia, kamerę IP możemy podłączyć do sieci docelowej.

URUCHAMIANIE I WSTĘPNA KONFIGURACJA

2.8. Zalecenia dotyczące bezpieczeństwa sieci

UWAGA!

Poniżej zostały przedstawione podstawowe zalecenia dotyczące budowy oraz konfiguracji systemów telewizji dozorowej podłączonych do sieci Internet, pozwalające ograniczyć ryzyko nieautoryzowanej ingerencji w system przez osoby trzecie.

1. Bezwzględnie należy zmienić domyślne hasła dostępu oraz nazwy użytkowników (jeśli dane urządzenia dają taką możliwość) wszystkich zastosowanych urządzeń sieciowych (tzn. rejestratora, kamer, routerów, przełączników sieciowych itp.) na hasła o znacznym stopniu skomplikowania. W zależności od możliwości konfiguracji danego urządzenia zaleca się, aby hasło zawierało: małe litery, wielkie litery, cyfry oraz znaki specjalne.

2. W zależności od dostępnej funkcjonalności w celu ograniczenia dostępu do zastosowanych urządzeń sieciowych na poziomie konta administratora zaleca się odpowiednią konfigurację kont użytkowników.

3. Bezwzględnie zabronione jest wykorzystywanie funkcji DMZ (Demilitarized zone - strefa zdemilitaryzowana). Zastosowanie tej funkcji otwiera dostęp do systemu od strony sieci Internet na wszystkich możliwych portach, co w znacznym stopniu ułatwia ewentualną nieautoryzowaną ingerencję w system.

Zamiast wykorzystywania funkcji DMZ należy zastosować przekierowanie portów. Przekierowane powinny zostać jedynie porty niezbędne do realizacji połączenia (szczegółowych informacji na temat portów komunikacji w poszczególnych modelach rejestratorów, kamer itp. należy szukać w instrukcjach obsługi urządzeń).

4. Należy stosować routery wyposażone w funkcję zapory sieciowej (Firewall) oraz upewnić się że funkcja jest włączona oraz odpowiednio skonfigurowana.

5. Jeśli urządzenia sieciowe posiadają taką funkcjonalność zalecana jest zmiana domyślnych numerów portów wykorzystywanych do komunikacji sieciowej.

6. Jeśli urządzenia sieciowe posiadają funkcję UPnP i nie jest ona wykorzystywana, należy ją bezwzględnie wyłączyć.

7. Jeśli urządzenia sieciowe posiadają funkcję P2P i nie jest ona wykorzystywana, należy ją wyłączyć.

8. Jeśli urządzenia sieciowe obsługują protokół HTTPS do realizacji połączeń zaleca się jego stosowanie.

9. Jeśli urządzenia sieciowe obsługują funkcję filtracji adresów IP uprawnionych do nawiązywania połączenia zaleca się jej wykorzystywanie.

10. Jeśli zastosowany rejestrator sieciowy wyposażony jest w dwa interfejsy sieciowe zaleca się odseparowanie sieci do której podłączone są kamery od sieci posiadającej połączenie internetowe. Dzięki temu urządzeniem dostępnym z poziomu sieci Internet będzie rejestrator natomiast połączenie z kamerami nie będzie możliwe.

POŁĄCZENIA SIECIOWE ZA POMOCĄ PRZEGLĄDARKI WWW

3 POŁĄCZENIA SIECIOWE ZA POMOCĄ PRZEGLĄDARKI WWW

3.1. Zalecana konfiguracja komputera PC do połączeń przez przeglądarkę WWW

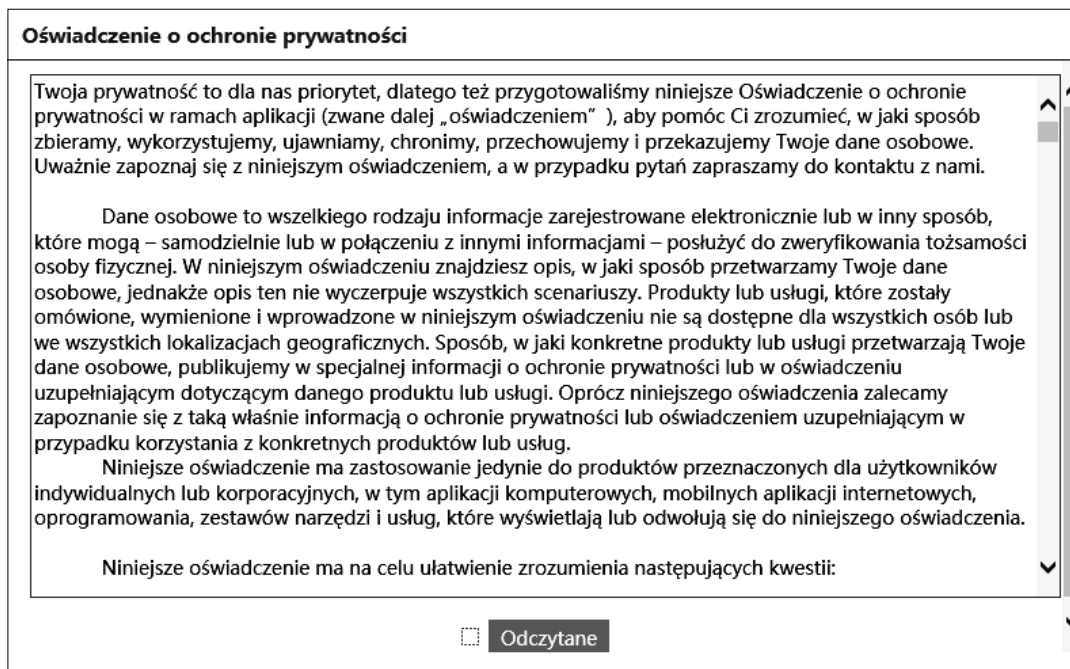
Poniższe wymagania dotyczą połączenia z kamerą IP przy założeniu płynnego wyświetlania obrazu wideo w rozdzielczości 2592x1520 dla 30kl/s.:

1. Procesor Intel i7 3 GHz lub wyższy
2. Pamięć RAM min. 6 GB
3. Karta grafiki Nvidia GeForce 1GB
4. System operacyjny Windows 7 / 8 / 8.1 / 10
5. Karta sieciowa 100/1000 Mb/s

3.2. Połączenie sieciowe z kamerą IP za pomocą przeglądarki internetowej

- Pierwsze połączenie się z kamerą

W pasku adresu przeglądarki WWW należy wpisać adres IP kamery (domyślnie **192.168.1.200**). Jeśli podany adres jest prawidłowy i docelowe urządzenie jest w danej chwili osiągalne, wyświetli się okno pierwszego połączenia. W tym oknie należy zapoznać się z oświadczeniem o ochronie prywatności i po przeczytaniu należy zaznaczyć pole wyboru obok przycisku **Odczytane**, oraz kliknąć ten przycisk.



Zaakceptowanie oświadczenia nie może być pominięte. Okno to wyświetla się tylko podczas pierwszego logowania, jednak może być wyświetlone ponownie w dowolnym momencie.

Dostęp do oświadczenia znajduje się w menu **Ustawienia > System > Informacje podstawowe > Oświadczenie o ochronie prywatności**.

POŁĄCZENIA SIECIOWE ZA POMOCĄ PRZEGLĄDARKI WWW

- Aktywacja urządzenia

Po zaakceptowaniu oświadczenia o ochronie prywatności, wyświetli się okno aktywacji urządzenia. W tym oknie należy ustawić hasło dla konta administratora (*root*).

Pozostawienie zaznaczonego pola wyboru „Aktywacja użytkownika Onvif” powoduje jednoczesne ustanowienie hasła do konta Onvif, takiego samego jak do konta administratora.

The screenshot shows a dialog box titled "Aktywacja urządzenia". It has the following elements:

- A label "Użytkownik" followed by a text input field containing "root".
- A checked checkbox labeled "Aktywacja użytkownika Onvif".
- A label "Nowe hasło" followed by a text input field. Below it is a strength indicator consisting of three horizontal bars of varying lengths.
- A note: "8 ~ 16 znaków; Należy podać cyfry, znaki specjalne, wielkie i małe litery."
- A label "Potwierdź hasło" followed by a text input field.
- An "OK" button at the bottom center.



Jeżeli użytkownik podczas aktywacji odznaczy pole wyboru „Aktywacja użytkownika Onvif”, to konto Onvif pozostanie z domyślnymi danymi logowania (login: *root* i hasło: *pass*). Ze względów bezpieczeństwa zalecane jest nadanie takiego samego hasła zarówno do konta Onvif jak i do konta webowego.

Hasło musi mieć minimalnie 8 i maksymalnie 16 znaków. Podczas wprowadzania nowego hasła, jego siła jest wskazywana na bieżąco przez wskaźnik poziomu bezpieczeństwa. Dla zapewnienia maksymalnego bezpieczeństwa, należy zastosować małe i wielkie litery, cyfry i znaki specjalne. Po dwukrotnym prawidłowym podaniu hasła i zatwierdzeniu przyciskiem **OK**, hasło administratora do konta webowego (i konta Onvif, w zależności od dokonanego wyboru) zostanie zapisane. Okno aktywacji zamknie się i użytkownik zostanie przeniesiony do ekranu logowania.



Konto Webowe utworzone podczas aktywacji urządzenia jest kontem administratora kamery. Oznacza to, że użytkownik logując się do urządzenia przez przeglądarkę, loginem **root** i wcześniej ustalonym hasłem, będzie miał dostęp do pełnej funkcjonalności oraz wszystkich dostępnych w kamerze ustawień. Konto wykorzystywane jest również do logowania się do kamery z poziomu rejestratorów sieciowych serii 6000 oraz oprogramowania NMS (Novus Management System) w przypadku użycia metody obsługi zdarzeń LongPolling.

Konto Onvif to konto służące do logowania się do kamery podczas realizacji połączeń z poziomu oprogramowania NMS (Novus Management System) oraz z wykorzystaniem protokołu Onvif lub RTSP. Konto to jest tworzone automatycznie podczas aktywacji urządzenia, a domyślne dane logowania to login: „root” i hasło: „pass”.

POŁĄCZENIA SIECIOWE ZA POMOCĄ PRZEGLĄDARKI WWW

- Pierwsze logowanie się do kamery

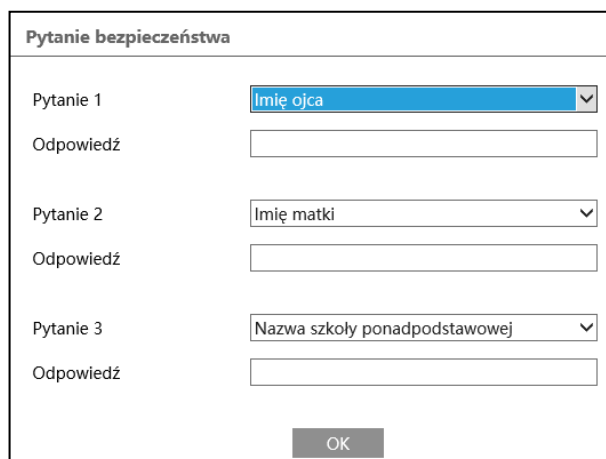


W oknie logowania należy w pole **Nazwa** wpisać nazwę konta administratora (*root*), a w pole **Hasło** nowo ustawione hasło administratora. W polu **Typ strumienia** możliwy jest wybór strumienia, który będzie wyświetlany w oknie podglądu na żywo po zalogowaniu, a w polu **Język** możliwa jest zmiana języka interfejsu. Opcja **Zapomniane hasło** pozwala na zalogowanie do kamery w przypadku zapomnienia hasła administratora. Do tego potrzebna jest znajomość odpowiedzi na pytania bezpieczeństwa (ustawiane w następnym kroku).

Po wpisaniu odpowiednich danych należy nacisnąć przycisk **Login** aby zalogować się do panelu www kamery.

- Pytania bezpieczeństwa

Następnym etapem pierwszego logowania jest wpisanie odpowiedzi na pytania bezpieczeństwa.



W oknie które się wyświetli należy wybrać pytania spośród dostępnych na liście i wpisać własne odpowiedzi. Znajomość właściwych pytań i odpowiedzi jest niezbędna do odzyskania hasła administratora.



Ten krok nie może być pominięty. Okno pytań bezpieczeństwa wyświetla się tylko podczas pierwszego logowania, a jedyną możliwością zmiany podanych odpowiedzi jest przywrócenie ustawień fabrycznych i ponowne przejście wszystkich etapów pierwszego połączenia z kamerą

POŁĄCZENIA SIECIOWE ZA POMOCĄ PRZEGLĄDARKI WWW

- Instalacja dodatku plug-in

Uwaga!

Dla zapewnienia poprawności działania funkcji zapisu zdjęć i wideo na dysku komputera, przeglądarkę Internet Explorer należy uruchamiać z uprawnieniami administratora.

Jeżeli przeglądarka o to poprosi, należy zainstalować dodatek **NetAIIPCamera**, który jest niezbędny do prawidłowego działania menu kamery. Brak właściwego dodatku jest sygnalizowany przez wyświetlenie komunikatu:



The plugin is not installed or the version needs to be updated, please click [Here](#) to download and install. Before installation, please close your browser.

Należy kliknąć na łącze „Here” aby rozpocząć pobieranie dodatku a następnie, korzystając z okienka dialogowego przeglądarki, należy zainstalować go.



W okienku należy kliknąć przycisk *Uruchom*, a następnie należy postępować zgodnie z poleceniami programu instalującego. Po zakończonej instalacji należy odświeżyć okno przeglądarki.

Jeżeli podczas instalacji dodatku były otwarte inne karty w oknie przeglądarki, program instalujący poprosi o zamknięcie przeglądarki. Wtedy, po zakończonej instalacji, należy ponownie uruchomić przeglądarkę IE i połączyć się z kamerą.

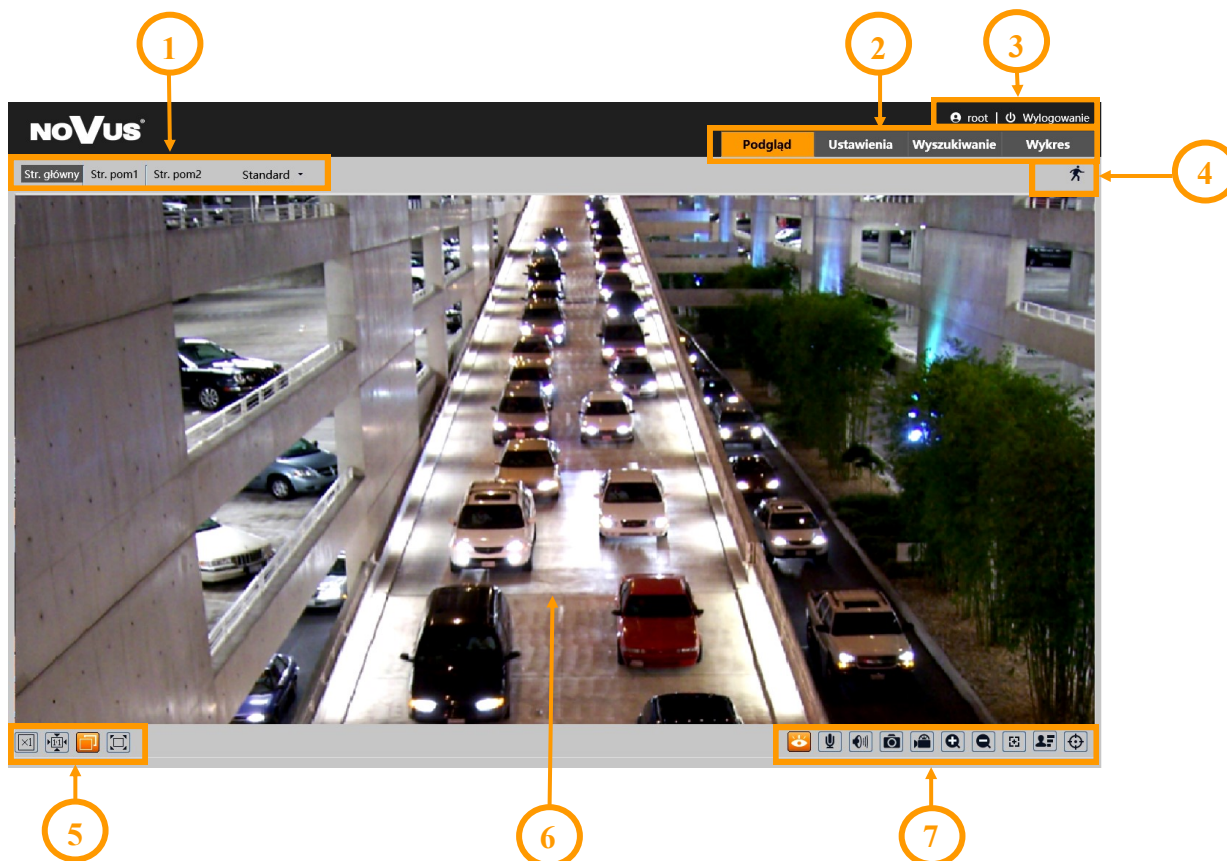
Uwaga: W przypadku pracy w systemie Windows 7/8/8.1/10 możliwe jest zablokowanie dodatku ActiveX przez Windows Defender i Kontrolę konta użytkownika. W takim przypadku należy zezwolić na uruchamianie dodatku lub po prostu wyłączyć działanie blokujących aplikacji.

Uwaga: Jeżeli podczas pobierania lub instalacji wystąpiły błędy, należy wybrać *Ustawienia Zabezpieczeń* w *Opcjach Internetowych* przeglądarki IE, oraz włączyć funkcję *Pobieranie niepodpisanych formantów ActiveX*.

INTERFEJS WWW - PRACA Z KAMERA

4. INTERFEJS WWW - PRACA Z KAMERA

4.1. Widok okna zdalnego podglądu



1. Wybór strumienia do wyświetlania w oknie podglądu oraz ustawienie rozmiaru bufora kamery.
2. Przyciski wyboru trybu pracy i konfiguracji kamery:

| | |
|--------------|---|
| Podgląd | - włącza podgląd strumienia na żywo |
| Ustawienia | - wyświetla panel konfiguracyjny kamery |
| Wyszukiwanie | - wyświetla panel wyszukiwania i odtwarzania nagrań z karty pamięci |
| Wykres | - wyświetla panel statystyk |
3. Ikony dostępu do kamery. Od lewej: informacja o zalogowanym użytkowniku, wylogowanie z kamery
4. Panel wyświetlania ikon zdarzeń alarmowych:



Od lewej: sygnalizacja nagrywania na kartę SD, zmiana kolorystyki, rozmycie obrazu, zmiana sceny, opuszczenie obszaru, wkroczenie w obszar, przekroczenie linii, zliczanie przekroczeń linii, wtargnięcie, rozpoznanie twarzy, mapa ciepła, statystyki obszaru, zniknięcie/pozostawienie obiektu, detekcja ruchu.

Wystąpienie danego zdarzenia jest sygnalizowane migającym czerwonym kolorem.

INSTALACJA KARTY SD

5. Przyciski ustawiania obrazu:



Od lewej: rozmiar oryginalny, proporcje oryginalne, automatyczne dopasowanie do okna, pełny ekran.

6. Okno podglądu na żywo.

Dwukrotne kliknięcie lewym przyciskiem myszy na oknie podglądu włącza i wyłącza wyświetlanie obrazu na całym ekranie.

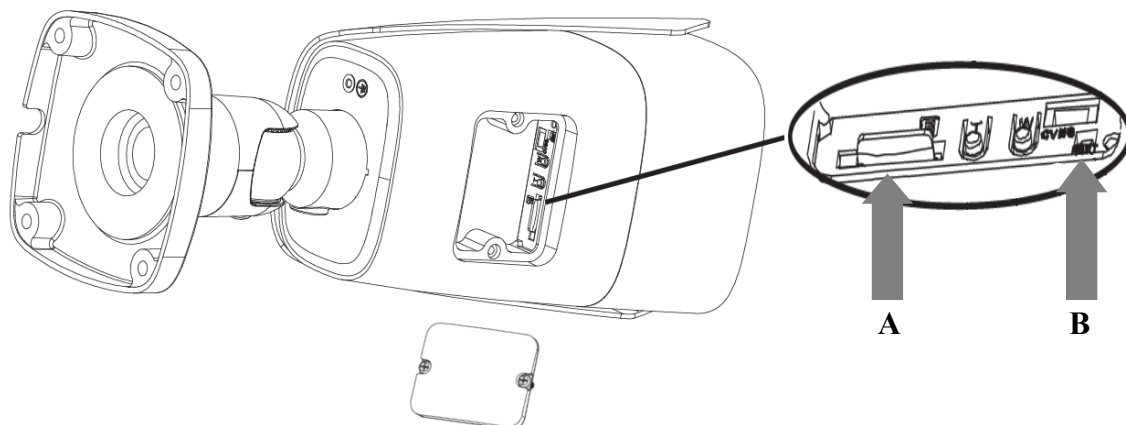
7. Przyciski sterujące funkcjami kamery:



Od lewej: włącza/wyłącza podgląd na żywo, włącza transmisję audio do kamery, włącza odsłuch audio, wykonuje zdjęcie, włącza/wyłącza nagrywanie wideo na dysku komputera, przyciski cyfrowego zoomu, włącza panel sterowania obiektywem (zoomem i ostrością), włącza/wyłącza panel wyświetlający zdjęcia rozpoznanych twarzy wraz ze szczegółami (o ile rozpoznana twarz znajduje się w bazie danych), włącza/wyłącza wyświetlanie linii i stref analizy obrazu

5. INSTALACJA KARTY SD

- Kamera obsługuje karty micro SD/SDHC o pojemności do 256 GB. W celu instalacji karty należy:
- Wyłączyć zasilanie kamery
- Zdemontować pokrywę w dolnej części obudowy
- Zainstalować kartę SD w odpowiednim gnieździe (wskazane strzałką A na rysunku poniżej)
- Zamocować pokrywę zwracając uwagę na poprawne ułożenie uszczelki
- Włączyć kamerę
- Sprawdzić poprawność zainstalowania karty przez zweryfikowanie jej rozmiaru w zakładce „Ustawienia -> System -> Karta SD”.



PRZYWRACANIE USTAWIENÍ FABRYCZNYCH

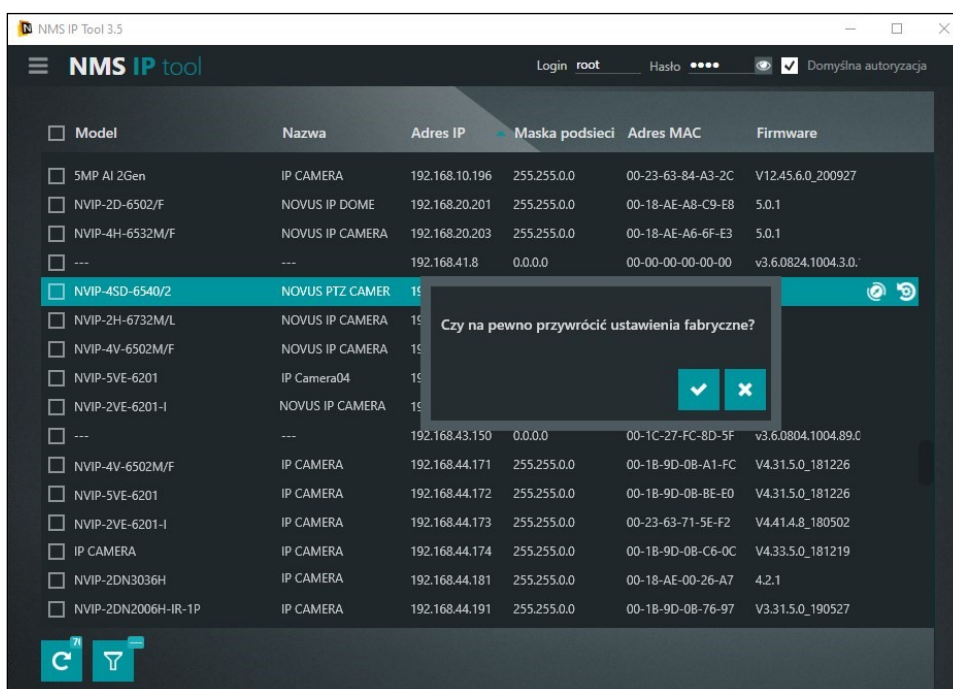
6. PRZYWRACANIE USTAWIENÍ FABRYCZNYCH

6.1. Programowe przywracanie ustawień fabrycznych

Przywracanie ustawień fabrycznych kamery powoduje powrót ustawień kamery do wartości fabrycznych. Opcja przywracania ustawień fabrycznych znajduje się w zakładce „Ustawienia -> Konserwacja -> Kopia zapasowa”. Zaznaczenie wybranej opcji „Zatrzymaj”, pozwala na zachowanie ustawień sieci, konfiguracji zabezpieczeń lub konfiguracji obrazu bez zmian.

6.2. Programowe przywracanie ustawień fabrycznych z wykorzystaniem programu NMSiptool

Za pomocą programu NMSiptool użytkownik także może przywrócić ustawienia fabryczne. Odbywa się to poprzez wybranie kamery z listy, kliknięcie na ikonę przywracania ustawień fabrycznych i potwierdzenie w oknie dialogowym. Następnie, w ciągu 30 sekund od potwierdzenia, należy wyłączyć i ponownie podłączyć zasilanie kamery.



6.3. Sprzętowe przywracanie ustawień fabrycznych

W celu sprzętowego przywrócenia ustawień fabrycznych kamery należy postępować zgodnie z instrukcją:

- Zdemontować pokrywę w dolnej części obudowy
- Nacisnąć przycisk RESET (wskazany strzałką **B** na rysunku na poprzedniej stronie) i przytrzymać przez około 10 sekund
- Zwolnić przycisk
- Zaczekać aż kamera uruchomi się - trwa to około 2 minut
- Zamocować pokrywę zwracając uwagę na poprawne ułożenie uszczelki
- Zalogować się ponownie używając domyślnego adresu IP, nazwy użytkownika i hasła

noVus[®]

AAT SYSTEMY BEZPIECZEŃSTWA Sp. z o.o.

ul. Puławska 431, 02-801 Warszawa, Polska

tel.: 22 546 0 546, kontakt@aat.pl

www.novuscctv.com/pl