

User's manual (short)



NVIP-4DN7000C-1P

NOVUS[®]

IMPORTANT SAFEGUARDS AND WARNINGS

EMC (2004/108/EC) and LVD (2006/95/EC) Directives

CE Marking

Our products are manufactured to comply with requirements of the following directives and national regulations implementing the directives:

- Electromagnetic compatibility EMC 2004/108/EC.
- Low voltage LVD 2006/95/EC with further amendment. The Directive applies to electrical equipment designed for use with a voltage rating of between 50VAC and 1000VAC as well as 75VDC and 1500VDC.

WEEE Directive 2012/19/UE

Information on Disposal for Users of Waste Electrical and Electronic Equipment

This appliance is marked according to the European 1000VAC Directive on Waste Electrical and Electronic Equipment (2012/19/UE) and further amendments. By ensuring this product is disposed of correctly, you will help to prevent potential negative consequences for the environment and human health, which could otherwise be caused by inappropriate waste handling of this product.

The symbol on the product, or the documents accompanying the product, indicates that this appliance may not be treated as household waste. It shall be handed over to the applicable collection point for used up electrical and electronic equipment for recycling purpose. For more information about recycling of this product, please contact your local authorities, your household waste disposal service or the shop where you purchased the product.

RoHS Directive 2011/65/UE



Out of concern for human health protection and friendly environment, we assure that our products falling under RoHS Directive regulations, regarding the restriction of the use of hazardous substances in electrical and electronic equipment, have been designed and manufactured in compliance with the above mentioned regulations. Simultaneously, we claim that our products have been tested and do not contain hazardous substances whose exceeding limits could have negative impact on human health or natural environment

Information

The device, as a part of professional CCTV system used for surveillance and control, is not designed for self installation in households by individuals without technical knowledge.



Excluding of responsibility in case of damaging data on a disk or other devices:

The manufacturer does not bear any responsibility in case of damaging or losing data on a disk or other devices during device operation.

WARNING!

PRIOR TO UNDERTAKING ANY ACTION THAT IS NOT DESCRIBED FOR THE GIVEN PRODUCT IN USER'S MANUAL AND OTHER DOCUMENTS DELIVERED WITH THE PRODUCT, OR IF IT DOES NOT ARISE FROM THE USUAL APPLICATION OF THE PRODUCT, MANUFACTURER MUST BE CONTACTED UNDER THE RIGOR OF EXCLUDING THE MANUFACTURER'S RESPONSIBILITY FOR THE RESULTS OF SUCH AN ACTION.

IMPORTANT SAFEGUARDS AND WARNINGS

WARNING!

THE KNOWLEDGE OF THIS MANUAL IS AN INDESPENSIBLE CONDITION OF A PROPER DEVICE OPERATION. YOU ARE KINDLY REQUESTED TO FAMILIRIZE YOURSELF WITH THE MANUAL PRIOR TO INSTALLATION AND FURTHER DEVICE OPERATION.

WARNING!

USER IS NOT ALLOWED TO DISASSEMBLE THE CASING AS THERE ARE NO USER-SERVICEABLE PARTS INSIDE THIS UNIT. ONLY AUTHORIZED SERVICE PERSONNEL MAY OPEN THE UNIT

INSTALLATION AND SERVICING SHOULD ONLY BE DONE BY QUALIFIED SERVICE PERSONNEL AND SHOULD CONFORM TO ALL LOCAL REGULATIONS

1. Prior to undertaking any action please consult the following manual and read all the safety and operating instructions before starting the device.
2. Please keep this manual for the lifespan of the device in case referring to the contents of this manual is necessary;
3. All the safety precautions referred to in this manual should be strictly followed, as they have a direct influence on user's safety and durability and reliability of the device;
4. All actions conducted by the servicemen and users must be accomplished in accordance with the user's manual;
5. The device should be disconnected from power sources during maintenance procedures;
6. Usage of additional devices and components neither provided nor recommended by the producer is forbidden;
7. You are not allowed to use the camera in high humidity environment (i.e. close to swimming pools, bath tubs, damp basements);
8. Mounting the device in places where proper ventilation cannot be provided (e. g. closed lockers etc.) is not recommended since it may lead to heat build-up and damaging the device itself as a consequence;
9. Mounting the camera on unstable surface or using not recommended mounts is forbidden. Improperly mounted camera may cause a fatal accident or may be seriously damaged itself. The camera must be mounted by qualified personnel with proper authorization, in accordance with this user's manual.
10. Device should be supplied only from a power sources whose parameters are in accordance with those specified by the producer in the camera technical datasheet. Therefore, it is forbidden to supply the camera from a power sources with unknown parameters, unstable or not meeting producer's requirements;

Due to the product being constantly enhanced and optimized, certain parameters and functions described in the manual in question may change without further notice.

The most current version of this manual (short), and the full version of the manual can be found at www.novuscctv.com/en

TABLE OF CONTENTS

TABLE OF CONTENTS	4
1. FOREWORD INFORMATION	5
1.1. General Characteristics.....	5
1.2. NVIP-4DN7000C-1P tech specification	6
1.3. Camera dimension	7
1.4. Package contents.....	8
2. START-UP AND INITIAL IP CAMERA CONFIGURATION	9
2.1. Description of connectors and control tools	9
2.2. NVIP-4DN7000C-1P lens mount	10
2.3. Starting the IP camera	11
2.4. Initial configuration via the Web browser.....	12
3. NETWORK CONNECTION UTILIZING WEB BROWSER	13
3.1. Recommended PC specification for web browser.....	13
3.2. Connection with IP camera via the Internet Explorer.....	13
3.3. Connection with IP camera via the other browser.....	15
4. WWW INTERFACE - WORKING WITH IP CAMERA	17
4.1. Displaying live pictures.....	17
5. ELECTRIC CONNECTORS AND ACCESORIES	19
5.1. Connecting power supply to the camera.	19
5.1. Connecting alarm input and output.....	19
5.2. SD card installation	20
6. RESTORING FACTORY DEFAULTS	21
6.1. Restoring software factory defaults	21
6.2. Restoring hardware factory defaults in IP cameras	21

FOREWORD INFORMATION

1. FOREWORD INFORMATION

1.1. General Characteristics

- Sensor resolution: 4.0 megapixels
- Mechanical IR cut filter
- IR operation capability
- Min. Illumination from 0,005 lx/F=1.2
- Wide Dynamic Range (WDR) for enhanced image quality in diverse light conditions
- Digital Slow Shutter (DSS)
- Digital Noise Reduction (DNR)
- Privacy zones: 5
- 2 Alarm input and 1 output
- Compression: H.264, M-JPEG
- Max video processing resolution: 2688 x 1520
- Quadruple streaming: compression, resolution, speed and quality defined individually for each video stream
- RTP/RTSP protocol support for video transmission
- Pre & post-alarm functions
- Hardware motion detection
- Built-in webserver: camera configuration through the website
- MicroSD/SDHC/SDXC card support
- Wide range of responses to alarm events: e-mail with attachment, saving file on FTP server, triggering alarm output, saving file on SD/SDHC/SDXC card, HTTP notification
- Network protocol support: HTTP, TCP/IP, IPv4/v6, UDP, HTTPS, Multicast, FTP, DHCP, DDNS, NTP, RTSP, RTP, UPnP, SNMP, QoS
- Software: NMS (NOVUS MANAGEMENT SYSTEM) for video recording, live monitoring, playback and remote IP devices administration
- Power supply: 12VDC, PoE (Power over Ethernet)

eng

FOREWORD INFORMATION

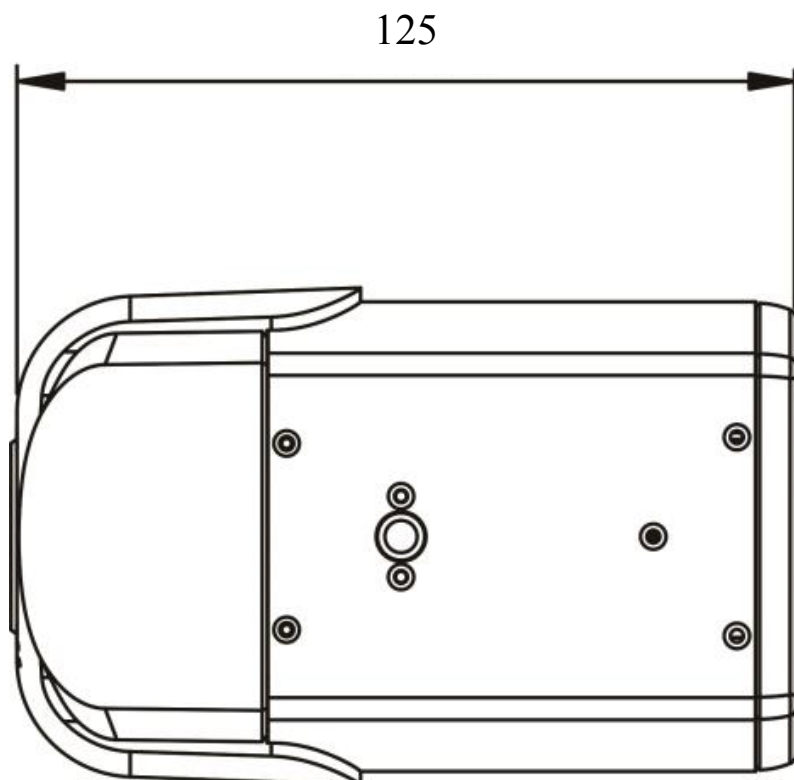
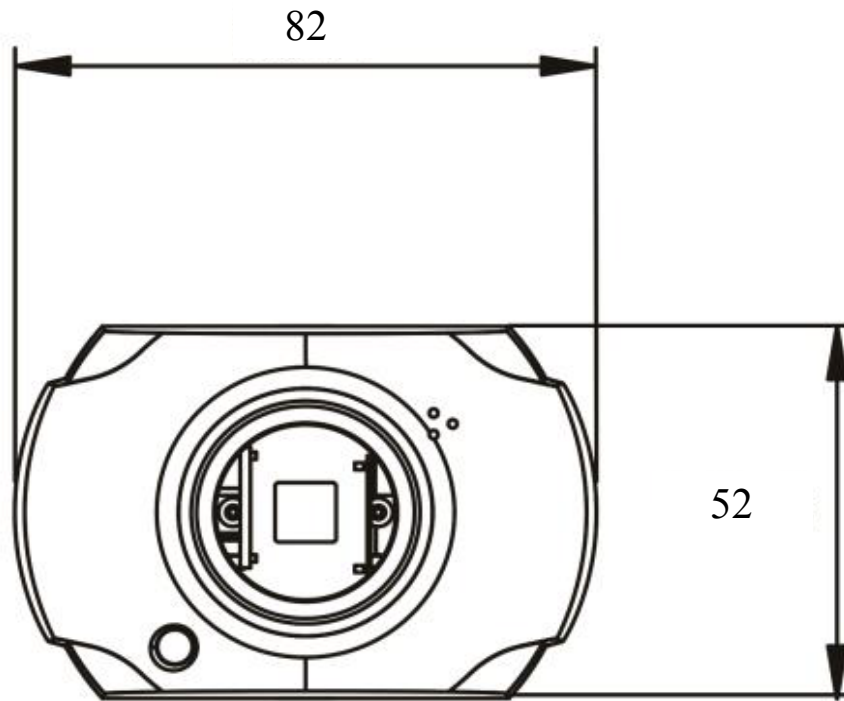
1.2. NVIP-4DN7000C-1P specification

IMAGE	
Image Sensor	4 MPX CMOS sensor 1/3" OV
Number of Effective Pixels	2688 (H) x 1520 (V)
Min. Illumination	0.05 lx/F1.2 - color mode (DSS), 0.005 lx/F1.2 - B/W mode (DSS)
Electronic Shutter	auto/manual: 1/1 s ~ 1/10000 s
Digital Slow Shutter (DSS)	up to 1 s
Wide Dynamic Range (WDR)	yes (double scan sensor)
Digital Noise Reduction (DNR)	2D, 3D
COMPATIBLE LENSES	
Mount Type	CS
Iris Mode	D
DAY/NIGHT	
Switching Type	mechanical IR cut filter
Switching Mode	auto, manual, time, external, smart
Switching Schedule	yes
NETWORK	
Stream Resolution	2688 x 1520, 2560 x 1440 (QHD), 1920 x 1080 (Full HD), 1280 x 1024 (SXGA), 1280 x 720 (HD), 1024 x 768 (XGA), 800 x 600 (SVGA), 720 x 576 (D1), 640 x 480 (VGA), 352 x 288
Frame Rate	30 fps for 2688 x 1520, 60 fps for 1920 x 1080 (Full HD) and lower resolutions
Multistreaming Mode	4 streams
Video/Audio Compression	H.264, MJPEG/G.711, G.726
Number of Simultaneous Connections	max. 8
Bandwidth	40 Mb/s in total
Network Protocols Support	HTTP, TCP/IP, IPv4/v6, UDP, HTTPS, FTP, DHCP, RTSP, RTP, UPnP, SNMP, QoS, PPPoE, SMTP
ONVIF Protocol Support	Profile S (ONVIF 2.4)
Camera Configuration	from Internet Explorer, Firefox, Chrome, Safari browser languages: Polish, English, Russian, and others
Compatible Software	NMS
OTHER FUNCTIONS	
Privacy Zones	5
Motion Detection	yes
Region of interest (ROI)	5
Audio Detection	yes
Image Processing	90° image rotation, 180° image rotation, sharpening, mirror effect
Prealarm/Postalarm	up to 3 s or 20 frames/up to 9999 s or 20 frames
System Reaction to Alarm Events	e-mail with attachment, saving file on FTP server, saving file on SD card, saving file on NAS server, alarm output activation, HTTP notification
INTERFACES	
Video Output	BNC, 1.0 Vp-p, 75 Ohm - maintenance only
Audio Input/Output	1 x Jack (3.5 mm)/1 x Jack (3.5 mm)
Alarm Input/Output	2 (NO/NC)/1
RS-485	Yes
Network Interface	1 x Ethernet - RJ-45 interface, 10/100 Mbit/s
Memory Card Slot	microSD
INSTALLATIONS PARAMETERS	
Dimensions (mm)	82 (W) x 52 (H) x 125 (L)
Weight	0.33 kg
Enclosure	aluminium, white
Power Supply	PoE, 12 VDC
Power Consumption	4.2 W
Operating Temperature	-30°C ~ 55°C

FOREWORD INFORMATION

1.3. Camera dimensions

All dimensions are in mm



eng

FOREWORD INFORMATION

1.4. Package contents

After you open the package make sure that the following elements are inside:

- IP camera
- Accessories bag
- Short version of user's manual

If any of this elements has been damaged during transport, pack all the elements back into the original box and contact your supplier for further assistance.

CAUTION!

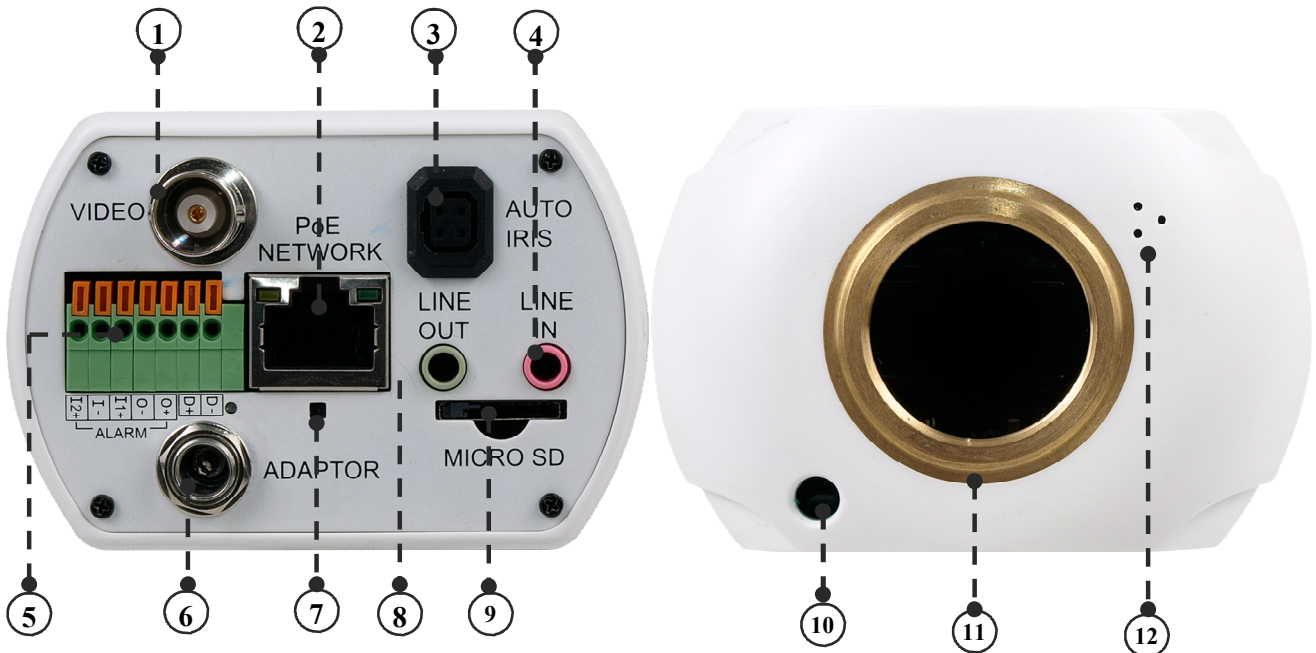
If the device was brought from a location with lower temperature, please wait until it reaches the temperature of location it is currently in. Turning the device on immediately after bringing it from a location with lower ambient temperature is forbidden, as the condensing water vapour may cause short-circuits and damage the device as a result.

Before starting the device familiarize yourself with the description and the role of particular inputs, outputs and adjusting elements that the device is equipped with.

START-UP AND INITIAL CAMERA CONFIGURATION

2. START-UP AND INITIAL IP CAMERA CONFIGURATION

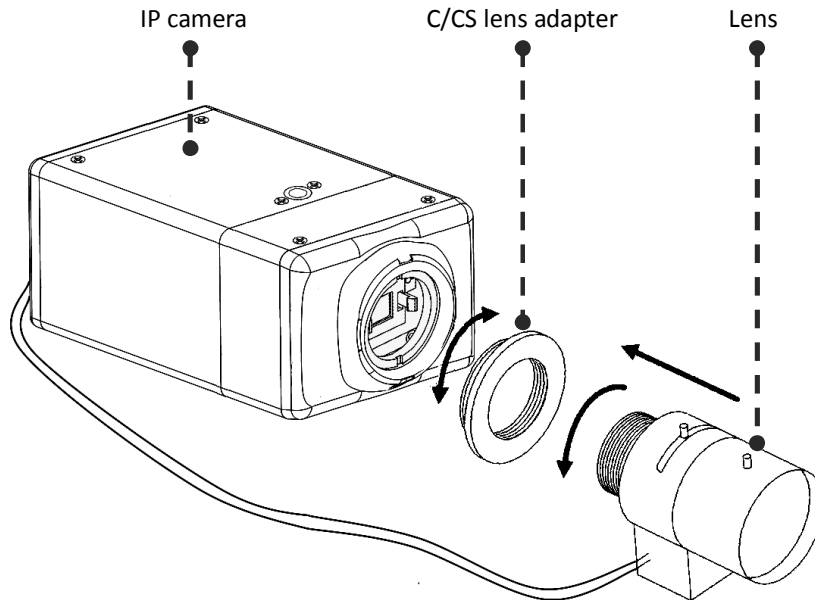
2.1. Description of the main elements of the camera



1. BNC analogue video output
2. Port Ethernet 100 Mb/s (RJ-45 connector)
3. Auto Iris control terminal
4. Audio input
5. Alarm input/output connector, RS485
6. Power socket
7. Reset button (reverts to factory defaults)
8. Audio output
9. MicroSD card slot
10. Light sensor
11. Lens mount socket
12. Built-in microphone

START-UP AND INITIAL CAMERA CONFIGURATION

2.2. NVIP-4DN7000C-1P lens mount



Lens Mount:

1. Remove the protecting cap.
2. Remove the sensor protective foil located under the cap
3. Attach the C/CS lens adapter if necessary.
4. Attach the lens to the camera by turning it clockwise.
5. Connect the lens plug to the auto iris connector on the side of the camera. If you are using a lens with manual iris - skip this step.
6. Adjust the area of view and sharpness of the image using the appropriate controls on the lens.
7. Complete the correction of drive level of the lens iris using the option *SYSTEM -> IRIS ADJUSTMENT* in the camera menu.

Information:

To mount C type lens you should use additional C/CS adapter (not included)

Warning

Use lens with a C-mount without the appropriate adapter ring may cause damage the camera and /or lens.

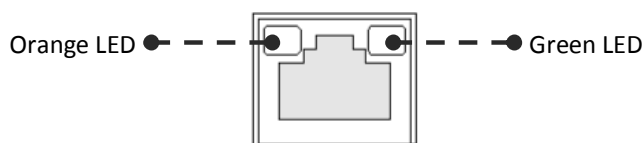
START-UP AND INITIAL CAMERA CONFIGURATION

2.3. Starting the IP camera

To run NOVUS IP camera you have to connect ethernet cable between camera and network switch with PoE support (IEEE 802.3af).

You can also power it directly via power supply adapter with parameters compatible with camera power supply specification.

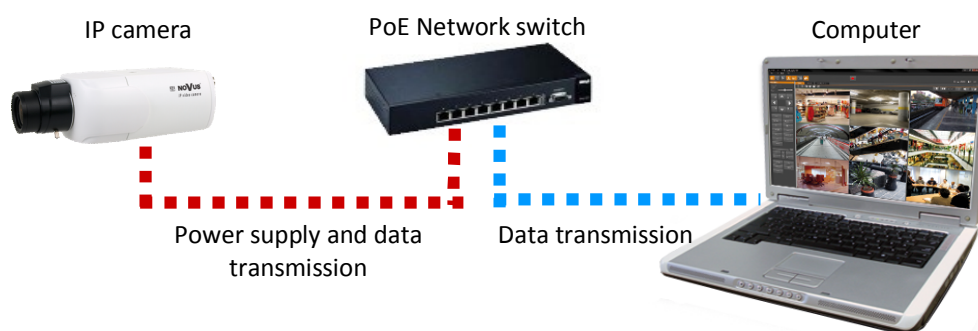
After connecting power supply power indicator (green LED) should light on, also the green LED on the RJ45 connector, indicating a successful connection to a network switch, will be lit. If the connection is successfully established, orange LED blinks with a frequency proportional to the quantity of data flow.



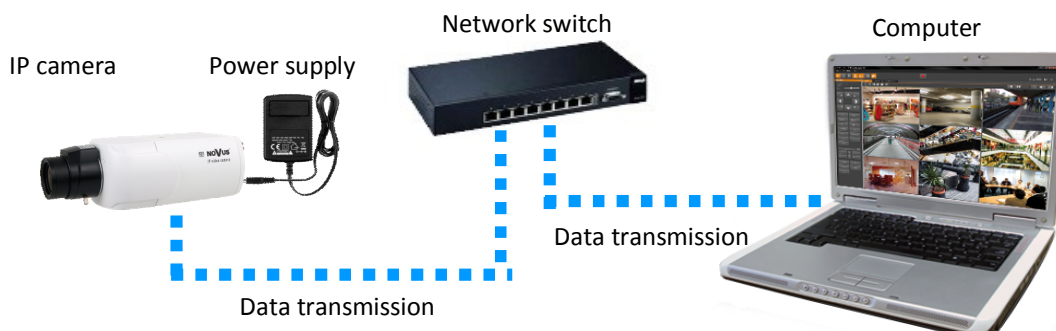
Initialization process takes about 30 seconds. You can then proceed to connect to the camera via web browser. If connection isn't established (the network cable is disconnected) green and orange LEDs aren't active, solid orange light means that network connection is ok but camera doesn't receive or send any data, with possible PC network settings error.

The recommended way to start an IP camera and perform its configuration is a connection directly to the network switch which is not connected to other devices. To obtain further information about network configuration parameters (IP address, gateway, network mask, etc.) please contact your network administrator.

- Connection utilising network switch with PoE support

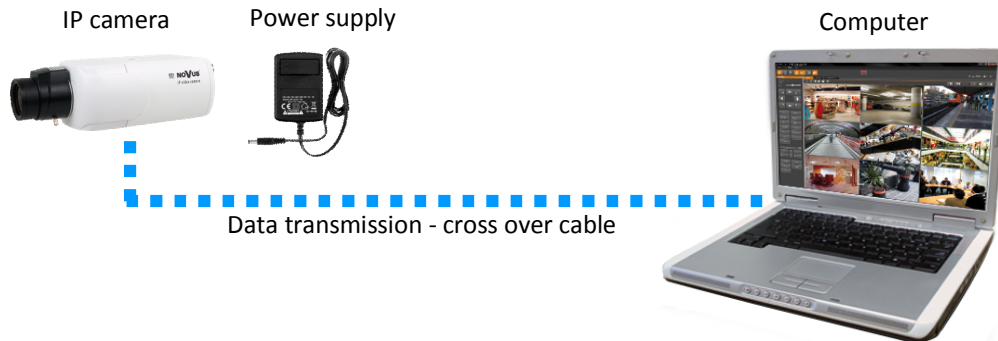


- Connection utilising external power supply and network switch



START-UP AND INITIAL CAMERA CONFIGURATION

- Connection utilising external power supply directly to the computer



Information:

Power supply adapter is not included. Please use power adapter with parameters specified in user's manual.

Caution:

In order to provide protection against voltage surges/lightning strikes, usage of appropriate surge protectors is advised. Any damages resulting from surges are not eligible for service repairs.

2.4. Initial configuration via the web browser

The default network settings for NVIP-4DN7000C-1P camera are:

1. IP address - **192.168.1.200**
2. Network mask - **255.255.255.0**
3. Gateway - **192.168.1.1**
4. User name - **root**
5. Password - **pass**

Knowing the camera's IP address you need to appropriately set PC IP address, so the two devices can operate in one network subnet (e.g. for IP 192.168.1.1, appropriate address for the camera ranges from 192.168.1.2 to 192.168.1.254, for example 192.168.1.60). It is not allowed to set the same addresses for camera and PC computer

You can either set a network configuration (IP address, gateway, net mask, etc.) of NOVUS IP camera yourself or select DHCP mode (DHCP server is required in this method in target network) by using web browser or by NMS software. When you use DHCP server check IP address lease and its linking with camera MAC address to avoid changing or losing IP address during device operation or network/DHCP server breakdown. You have to remember to use a new camera IP address after changing network parameters.

After network setting configuration has been done, the camera can be connected to a target network.

NETWORK CONNECTION UTILIZING WEB BROWSER

3. NETWORK CONNECTION UTILIZING WEB BROWSER

3.1. Recommended PC specification for web browser connections

Requirements below apply to connection with an IP camera, assuming smooth image display in 2688x1520 for 30 fps.

1. CPU **Intel Core i3 3 GHz** or newer
2. **RAM** memory min. **4 GB**
3. VGA card **NVidia GeForce with 512 MB of RAM memory**, or equivalent
4. OS **Windows 7 / 8 / 8.1 / 10**
5. Network card **100/1000 Mb/s**

3.2. Connection with IP camera via the Internet Explorer

Information: It is recommended to use the web browser Internet Explorer 11

You have to enter camera IP address in the Internet Explorer address bar. If IP address is correct user login window will be displayed:

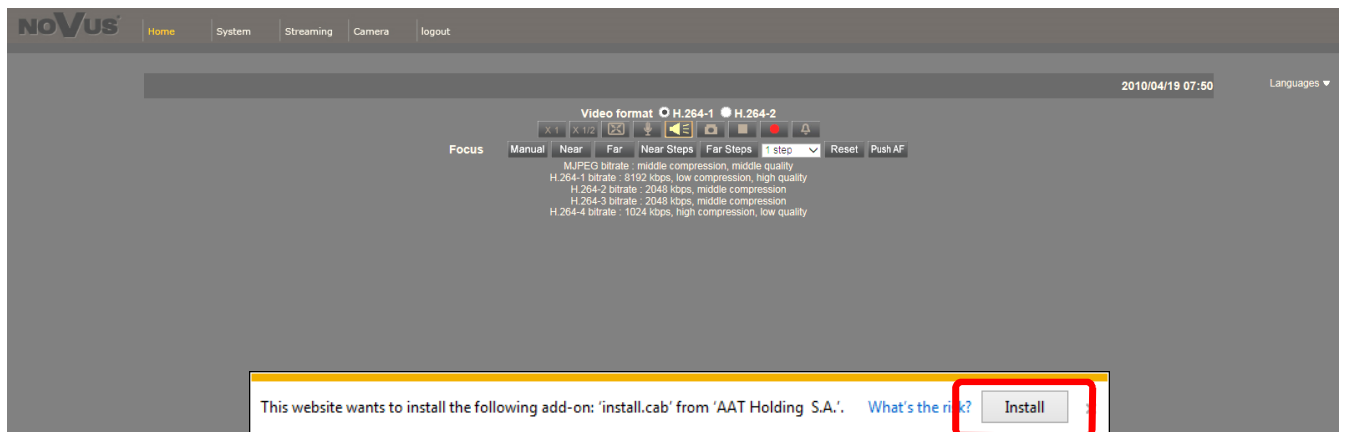


Default user is **root** and default password is **pass**.

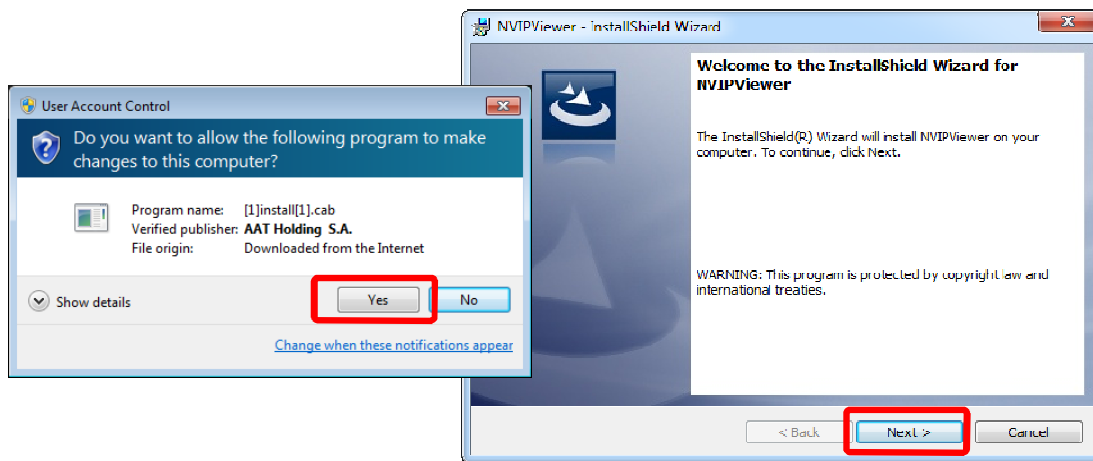
For safety reasons, it is recommended to change default user name and password.

When you first time log on to the camera, web browser will download the applet for displaying images from the camera. Depending on the current Internet Explorer security settings it may be necessary to accept an install ActiveX control. To do this, click the "Install" button on the security info bar, to download from the camera and to install *install.cab* add-on, which runs the installer *NVIP Viewer* applet.

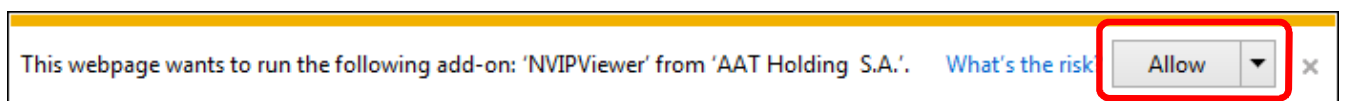
NETWORK CONNECTION UTILIZING WEB BROWSER



In the following steps is needed to confirm the will to install add-on and start the installation of the *NVIPViewer*:



After completing the installation and restart the browser may appear monit from security system for permission to launch the add-on. You should allow it to run. Now installation is complete:



If the installation fails, changing security settings for the IE browser is required. In order to do that, please choose: *Tools > Internet options > Security tab > Custom level* and:

- Under *Download unsigned ActiveX controls* - select either Enable or Prompt
- Under *Initialize and script ActiveX controls not marked as safe* - select Enable or Prompt

You can also add the camera's IP address to "trusted zone" and set lowest security level for it.

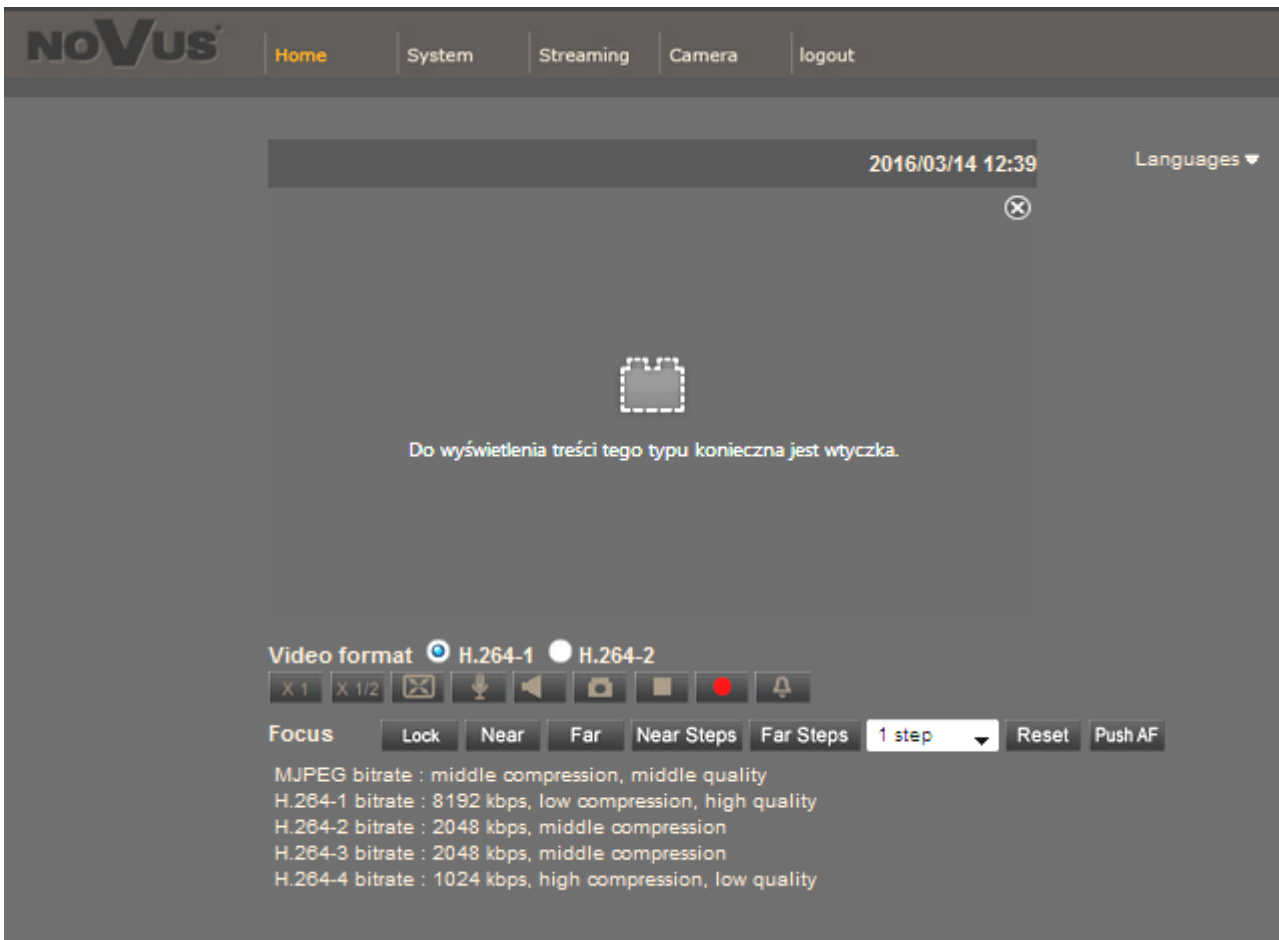
In addition, when working in Windows Vista, 7, 8, 8.1, 10 the ActiveX applet may be blocked by Windows Defender or User account control. In such case you should allow to run this applet, or simply disable these functions.

NETWORK CONNECTION UTILIZING WEB BROWSER

3.3. Connection with IP camera via other browser eg. Chrome, Mozilla Firefox, Safari)

It is also possible to connect to the camera using Mozilla Firefox, but this browser doesn't offer full functionality of the camera, so the recommended browser is Internet Explorer.

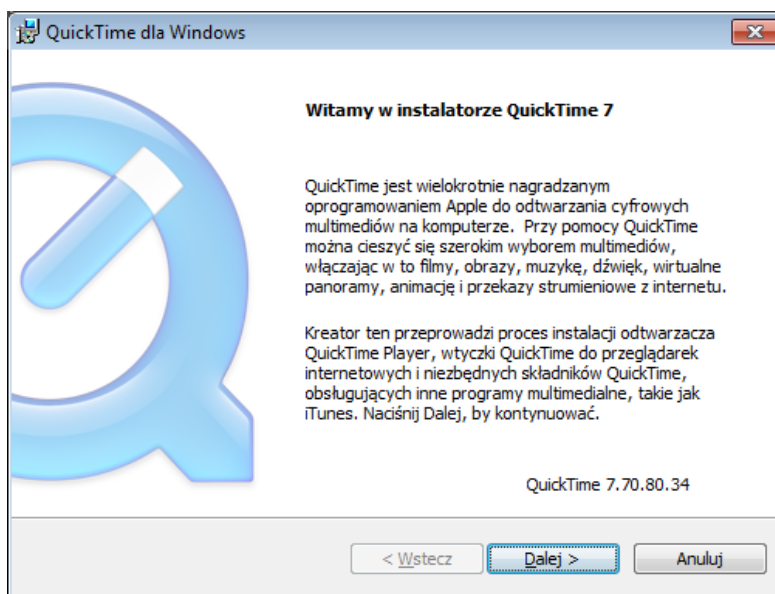
The first run of the IP camera in browser is very similar to the IE version. After you type the correct IP address you have to write correct username and password. The default user is **root** and password is **pass**.



eng

Next, blank screen is displayed, without video stream. Then you have to install the missing Quick Time plug-in from site: <http://www.apple.com/quicktime/download/>

NETWORK CONNECTION UTILIZING WEB BROWSER



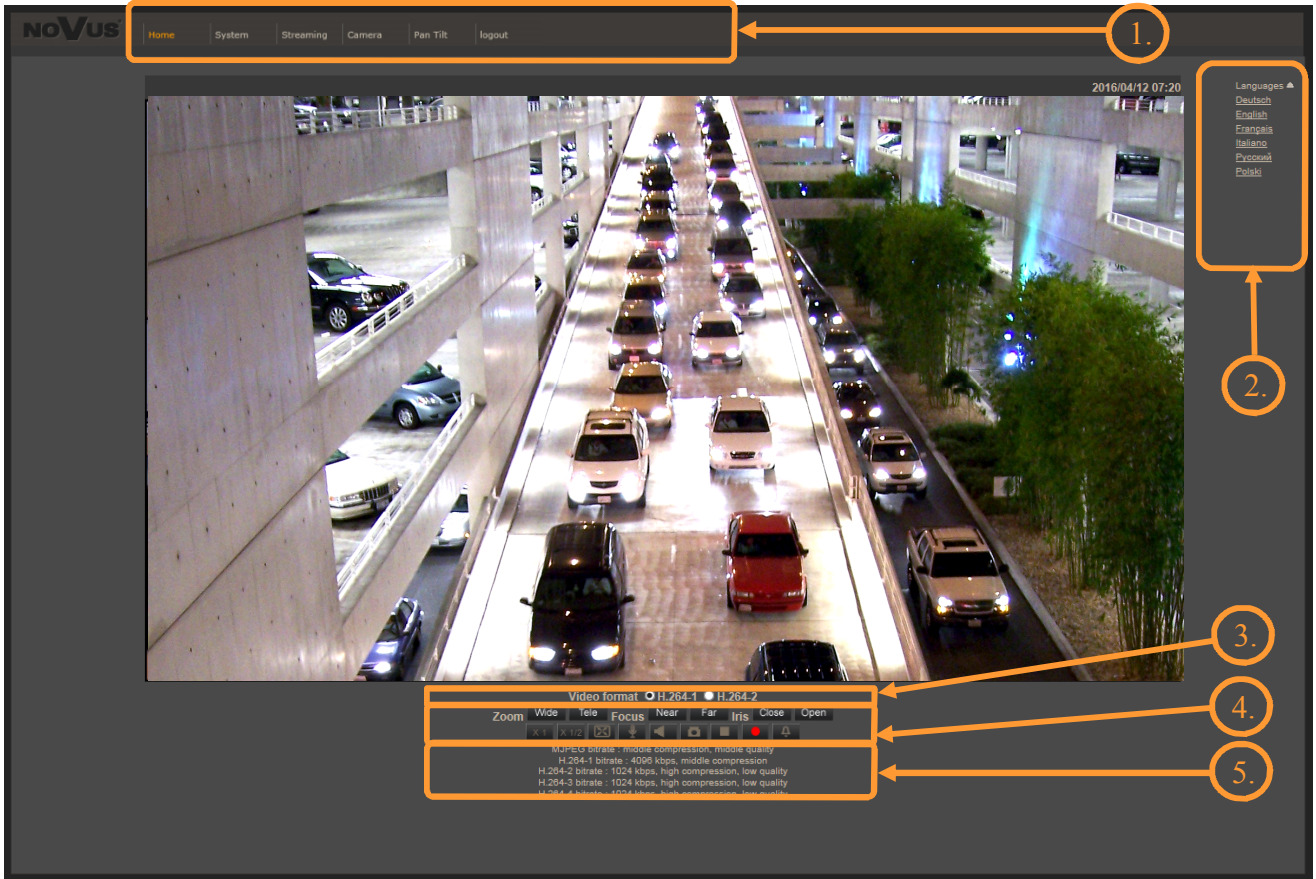
eng

After downloading and running it, a window depicting installation of particular components is then displayed. After proper installation pictures from the camera should become visible

WWW INTERFACE - WORKING WITH IP CAMERA

4. WWW INTERFACE - WORKING WITH IP CAMERA

4.1. Displaying live pictures



1. Main tabs

Home — live view page

System — camera settings (IP, recording, sending alarm messages, motion detection etc.)

Streaming — stream settings for video and audio streams

Camera — picture settings

Pan Tilt — camera PTZ settings in case of use RS485 connector.

Logout - log off the current user

2. Language selection.

3. Video format selection.

4. Settings and functions buttons while "live" viewing:



- Video size in web browser



- Full screen view



- Microphone - enable audio from microphone



- Speaker - enable audio sending to the camera

WWW INTERFACE - WORKING WITH IP CAMERA



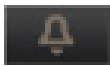
- Snapshot - saves the current frame in JPEG format



- Video Streaming pause/play button



- Web recording - saves the current video in AVI format



- Manually trigger the alarm output

eng

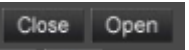
4. The buttons can control zoom and focus of the camera (in the case of motor-zoom lens). Motion control horizontal and vertical done directly with video window. These features are available when the control menu, select the appropriate protocol and setting PTZ module.



- zoom - controlling zoom of camera when using motor-zoom lens



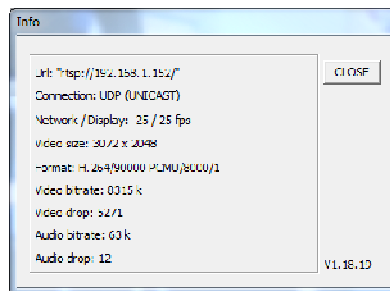
- focus - controlling focus of camera when using motor-zoom lens



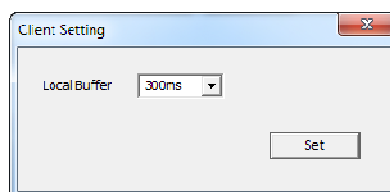
- iris - controlling Iris of camera when using motor-zoom lens

5. Video streaming information.

By double-clicking the left mouse button on the video screen are available additional information about the currently displayed image:



Right-clicking on the video screen activate a context menu from which you can turn on the full screen, or set the size of video buffer:



ELECTRIC CONNECTORS AND ACCESORIES

5. ELECTRIC CONNECTORS AND ACCESORIES

5.1. Connecting power supply to the camera.

The camera can be supplied by using RJ45 network socket or external power supply. To run IP camera you have to connect ethernet cable between camera and network switch with PoE support (IEEE 802.3af). You can also use a power injector compatible with IEEE 802.3af standard.

Information:

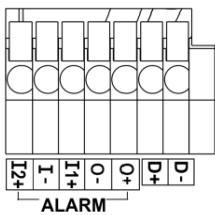
Power supply adaptor is not included. Please use power adapter with parameters specified in user's manual.

Warning

In order to provide protection against voltage surges/lightning strikes, usage of appropriate surge protectors is advised. Any damages resulting from surges are not eligible for service repairs.

5.2. Connecting alarm inputs/outputs and RS-485

5.2.1 Description of terminals of alarm input/output connector and RS-485:



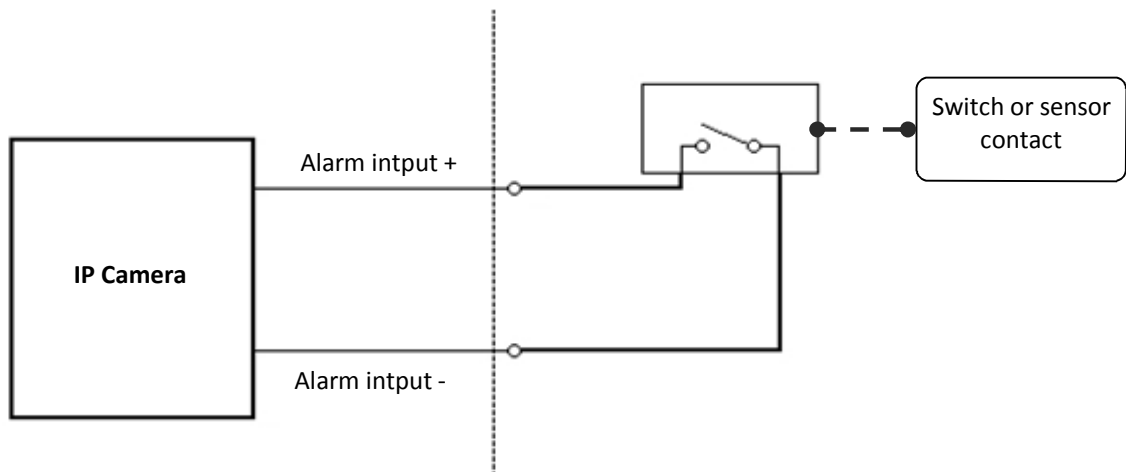
I2+	-Alarm IN 2+	D+	- RS485+
I-	-Alarm IN -	D-	- RS485-
I1+	-Alarm IN 1+		
0-	-Alarm OUT -		
0+	-Alarm OUT +		

5.2.2 Input and output connector states:

Alarm inputs and outputs cameras are fully customizable, ie. it is possible to set as the active state of both: a short circuit condition or break condition. Suitable options are available in the *SYSTEM* menu of the camera in the *EVENTS -> APPLICATION* tab.

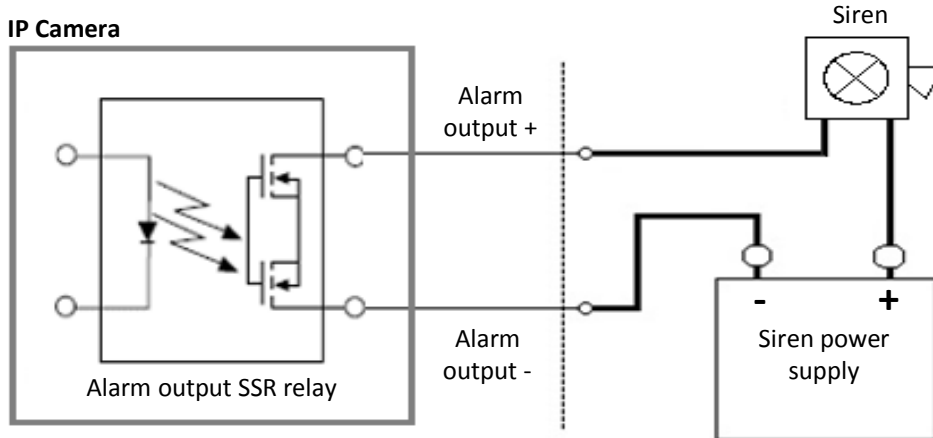
5.2.3 Typical electrical connections

- Alarm input connections example



ELECTRIC CONNECTORS AND ACCESORIES

- Alarm output connections example



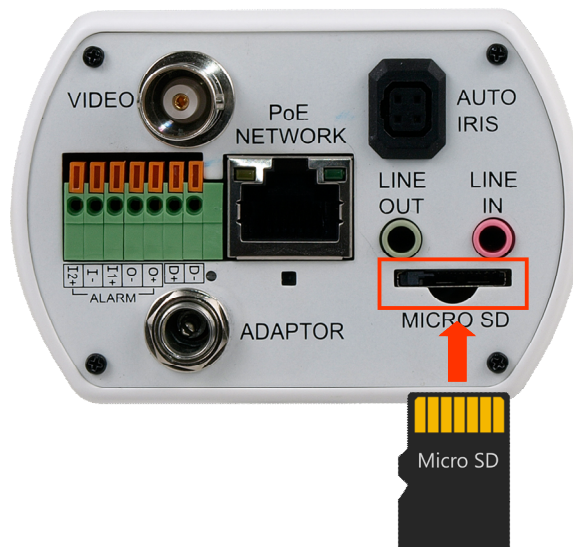
WARNING

Not following to the correct polarity when connecting external devices to the alarm output can cause the system malfunction or damage the camera.

5.3. SD card installation

Camera supports microSD/SDHC/SDXC cards with their capacity up to 64GB. In order to install the card properly, please follow the instructions below:

- Turn the camera off
- Mount SD card in the socket located at the camera's rear, according to the picture:



- Turn the camera on
- Format the SD card in *STORAGE MANAGEMENT* -> *SD CARD* tab. In the same tab, you can verify the correctness of installation of the card by verifying its size.

RESTORING FACTORY DEFAULTS

6. RESTORING FACTORY DEFAULTS

NOVUS IP cameras allow to restore defaults via:

- software (web browser level): restart the camera, restore the factory settings keeping the network settings, complete factory reset
- hardware (using reset): complete factory reset (including network settings).

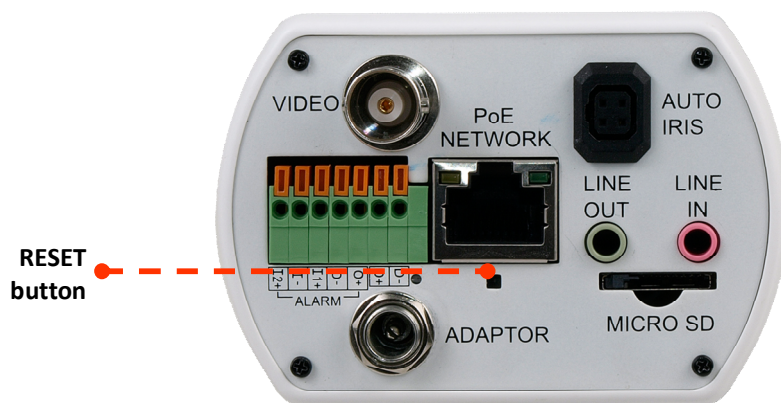
6.1. Restoring software factory defaults

Factory software default restores (optionally without network settings) default settings of the IP camera. The camera re-starts then, taking about one minute to complete. Option to restore the factory default is described in *SYSTEM -> FACTORY DEFAULT* tab.

6.2. Restoring hardware factory defaults in IP cameras

In order to restore factory defaults for the camera please follow the instructions:

- press the *RESET* button and hold on for 10 seconds
- release button
- log on after approx. 1 minute using default IP address (<http://192.168.1.200>) and default user name (root) and password (pass)



In the NVIP-4DN7000C-1P reset button is located as depicted. Non metal, thin object (e.g. match) is recommended for pushing it.

noVus[®]

AAT Holding S.A., ul. Puławska 431, 02-801 Warszawa, Polska
tel.: 22 546 07 00, faks: 22 546 07 59
www.novuscctv.com

2016-04-14 MF, MK, MM v.1.0

Instrukcja obsługi (skrótowa)



NVIP-4DN7000C-1P

noVus[®]

UWAGI I OSTRZEŻENIA

Dyrektywy EMC (2004/108/EC) i LVD (2006/95/EC)

Oznakowanie CE



Nasze produkty spełniają wymagania zawarte w dyrektywach oraz przepisach krajowych wprowadzających dyrektywy:

Kompatybilność elektromagnetyczna EMC 2004/108/EC.

Niskonapięciowa LVD 2006/95/EC. Dyrektywa ma zastosowanie do sprzętu elektrycznego przeznaczonego do użytkowania przy napięciu nominalnym od 50VAC do 1000VAC oraz od 75VDC do 1500VDC.

Dyrektywa WEEE 2012/19/UE

Informacja dla użytkowników o pozbywaniu się urządzeń elektrycznych i elektronicznych



Niniejszy produkt został oznakowany zgodnie z Dyrektywą WEEE (2012/19/UE) oraz późniejszymi zmianami, dotyczącą zużytego sprzętu elektrycznego i elektronicznego. Zapewniając prawidłowe złomowanie przyczyniają się Państwo

do ograniczenia ryzyka wystąpienia negatywnego wpływu produktu na środowisko i zdrowie ludzi, które mogłoby zaistnieć w przypadku niewłaściwej utylizacji urządzenia.

Symbol umieszczony na produkcie lub dołączonych do niego dokumentach oznacza, że nasz produkt nie jest klasyfikowany jako odpad z gospodarstwa domowego. Urządzenie należy oddać do odpowiedniego punktu utylizacji odpadów w celu recyklingu. Aby uzyskać dodatkowe informacje dotyczące recyklingu niniejszego produktu należy skontaktować się z przedstawicielem władz lokalnych, dostawcą usług utylizacji odpadów lub sklepem, gdzie nabyto produkt.

Dyrektywa RoHS 2011/65/UE

Informacja dla użytkowników dotycząca ograniczenia użycia substancji niebezpiecznych w sprzęcie elektrycznym i elektronicznym.



W trosce o ochronę zdrowia ludzi oraz przyjazne środowisko zapewniamy, że nasze produkty podlegające przepisom dyrektywy RoHS, dotyczącej użycia substancji niebezpiecznych w sprzęcie elektrycznym i elektronicznym, zostały zaprojektowane i wyprodukowane zgodnie z wymaganiami tej dyrektywy. Jednocześnie zapewniamy, że nasze produkty zostały przetestowane i nie zawierają substancji niebezpiecznych w ilościach mogących niekorzystnie wpływać na zdrowie człowieka lub środowisko naturalne.

Informacja

Urządzenie, jako element profesjonalnego systemu telewizji dozorowej służącego do nadzoru i kontroli, nie jest przeznaczone do samodzielnego montażu w gospodarstwach domowych przez osoby nie posiadające specjalistycznej wiedzy.

Wyłączenie odpowiedzialności w przypadku uszkodzenia danych zawartych na dysku lub innych urządzeniach:



Producent nie ponosi odpowiedzialności w razie uszkodzenia lub utraty w trakcie eksploatacji Produktu danych zawartych na dyskach lub innych urządzeniach.

Obowiązek konsultowania się z Producentem przed wykonaniem czynności nieprzewidzianej instrukcją obsługi albo innymi dokumentami:

Przed wykonaniem czynności, która nie jest przewidziana dla danego Produktu w instrukcji obsługi, innych dokumentach dołączonych do Produktu lub nie wynika ze zwykłego przeznaczenia Produktu, należy, pod rygorem wyłączenia odpowiedzialności Producenta za następstwa takiej czynności, skontaktować się z Producentem.

WARUNKI BEZPIECZEŃSTWA

UWAGA!

ZNAJOMOŚĆ NINIEJSZEJ INSTRUKCJI JEST NIEZBĘDNYM WARUNKIEM PRAWIDŁOWEJ EKSPLOATACJI URZĄDZENIA. PROSIMY O ZAPOZNANIE SIĘ Z NIM PRZED PRZYSTĄPIENIEM DO INSTALACJI I OBSŁUGI REJESTRATORA.

UWAGA!

NIE WOLNO DOKONYWAĆ ŻADNYCH SAMODZIELNYCH NAPRAW. WSZYSTKIE NAPRAWY MOGĄ BYĆ REALIZOWANE JEDYNIEM PRZEZ WYKWALIFIKOWANYCH PRACOWNIKÓW SERWISU.

1. Przed zainstalowaniem i rozpoczęciem eksploatacji należy dokładnie zapoznać się z niniejszą instrukcją obsługi i zawartymi w niej wymogami bezpieczeństwa;
2. Uprasza się o zachowanie instrukcji na czas eksploatacji kamery na wypadek konieczności odniesienia się do zawartych w niej treści;
3. Należy skrupulatnie przestrzegać wymogów bezpieczeństwa opisanych w instrukcji, gdyż mają one bezpośredni wpływ na bezpieczeństwo użytkowników i trwałość oraz niezawodność urządzenia;
4. Wszystkie czynności wykonywane przez instalatorów i użytkowników muszą być realizowane zgodnie z opisem zawartym w instrukcji;
5. W czasie czynności konserwatorskich urządzenie musi być odłączone od zasilania;
6. Nie wolno stosować żadnych dodatkowych urządzeń lub podzespołów nie przewidzianych i nie zalecanych przez producenta;
7. Nie wolno używać kamery w środowisku o dużej wilgotności (np. w pobliżu basenów, wanien, w wilgotnych piwnicach);
8. Nie należy instalować tego urządzenia w miejscu, gdzie nie można zapewnić właściwej wentylacji (np. zamknięte szafki, itp.), co powoduje zatrzymanie się ciepła i w konsekwencji może doprowadzić do uszkodzenia;
9. Nie wolno umieszczać kamery na niestabilnych powierzchniach. Kamera musi być instalowana przez wykwalifikowany personel o odpowiednich uprawnieniach według zaleceń podanych w niniejszej instrukcji;
10. Urządzenie może być zasilane jedynie ze źródeł o parametrach zgodnych ze wskazanymi przez producenta w danych technicznych serwera wideo. Dlatego też, zabrania się zasilania kamery ze źródeł o nieznanym, niestabilnym lub niezgodnym z wymaganiami określonymi przez producenta parametrach;

Ponieważ produkt jest stale ulepszany i optymalizowany niektóre parametry i funkcje opisane w załączonej instrukcji mogły ulec zmianie.

Najbardziej aktualną wersję niniejszej instrukcji obsługi (skróconej), oraz pełną wersję instrukcji obsługi można znaleźć na stronie www.novuscctv.com

SPIS TREŚCI

SPIS TREŚCI	4
1. INFORMACJE WSTĘPNE	5
1.1. Charakterystyka ogólna.....	5
1.2. Dane techniczne NVIP-4DN7000C-1P	6
1.3. Wymiary kamery	7
1.4. Zawartość opakowania.....	8
2. URUCHAMIANIE I WSTĘPNA KONFIGURACJA KAMERY IP	9
2.1. Opis złączy elektrycznych oraz głównych elementów kamery.....	9
2.2. Montaż obiektywu do kamery NVIP-4DN7000C-1P	10
2.3. Uruchomienie kamery IP.....	11
2.4. Konfiguracja parametrów przy użyciu przeglądarki internetowej.....	12
3. POŁĄCZENIA SIECIOWE ZA POMOCĄ PRZEGLĄDARKI WWW	13
3.1. Zalecana konfiguracja komputera PC do połączeń przez przeglądarkę WWW. 13	
3.2. Połączenie sieciowe z kamerą IP za pomocą przeglądarki Internet Explorer....	13
3.3. Połączenie sieciowe z kamera IP za pomocą innych przeglądarek	15
4. INTERFEJS WWW - PRACA Z KAMERA	17
4.1. Wyświetlanie obrazu na żywo.....	17
5. POŁĄCZENIA ELEKTRYCZNE I ZŁĄCZA AKCESORIÓW	19
5.1. Podłączenie zasilania kamery.....	19
5.2. Opis podłączenia wejść i wyjść alarmowych	19
5.3. Instalacja karty SD	20
6. PRZYWRACANIE USTAWIEŃ FABRYCZNYCH KAMERY	21
6.1. Programowe resetowanie ustawień kamery	21
6.2. Przywracanie ustawień fabrycznych kamery IP (sprzętowe).....	21

INFORMACJE WSTĘPNE

1. INFORMACJE WSTĘPNE

1.1. Charakterystyka ogólna

- Rozdzielczość przetwornika: 4.0 megapiksele
- Mechaniczny filtr podczerwieni
- Możliwość pracy w podczerwieni
- Czułość od 0,005 lx/F=1.2
- Szeroki zakres dynamiki (WDR) - funkcja poprawiająca jakość obrazu dla różnych poziomów oświetlenia sceny
- Wydłużony czas ekspozycji (DSS)
- Cyfrowa redukcja szumu (DNR)
- 5 stref prywatności
- Analogowe wyjście wideo BNC
- 2 wejścia i 1 wyjście alarmowe
- Kompresja H.264, M-JPEG
- Maksymalna rozdzielczość przetwarzania wideo: 2688 x 1520
- Praca w trybie czterostrumieniowym - możliwość definiowania kompresji, rozdzielczości, prędkości i jakości dla każdego strumienia
- Przesyłanie wideo i audio w standardzie RTP/RTSP
- Funkcje przed-alarmu i po-alarmu
- Sprzętowa detekcja ruchu
- Wbudowany web serwer – możliwość podglądu i konfiguracji ustawień kamery przez stronę www
- Obsługa kart microSD/SDHC/SDXC
- Możliwość szerokiego definiowania reakcji systemu na zdarzenia alarmowe: e-mail z załącznikiem, zapis plików na serwer FTP, wyzwolenie wyjścia alarmowego, zapis pliku na kartę microSD/SDHC/SDXC, powiadomienie HTTP
- Obsługa protokołów: HTTP, TCP/IP, IPv4/v6, UDP, HTTPS, Multicast, FTP, DHCP, DDNS, NTP, RTSP, RTP, UPnP, SNMP, QoS,
- Oprogramowanie: NMS (NOVUS MANAGEMENT SYSTEM) - do rejestracji wideo, podglądu „na żywo”, odtwarzania oraz zdalnej konfiguracji urządzeń wideo IP
- Zasilanie 12VDC oraz PoE (Power over Ethernet)

INFORMACJE WSTĘPNE

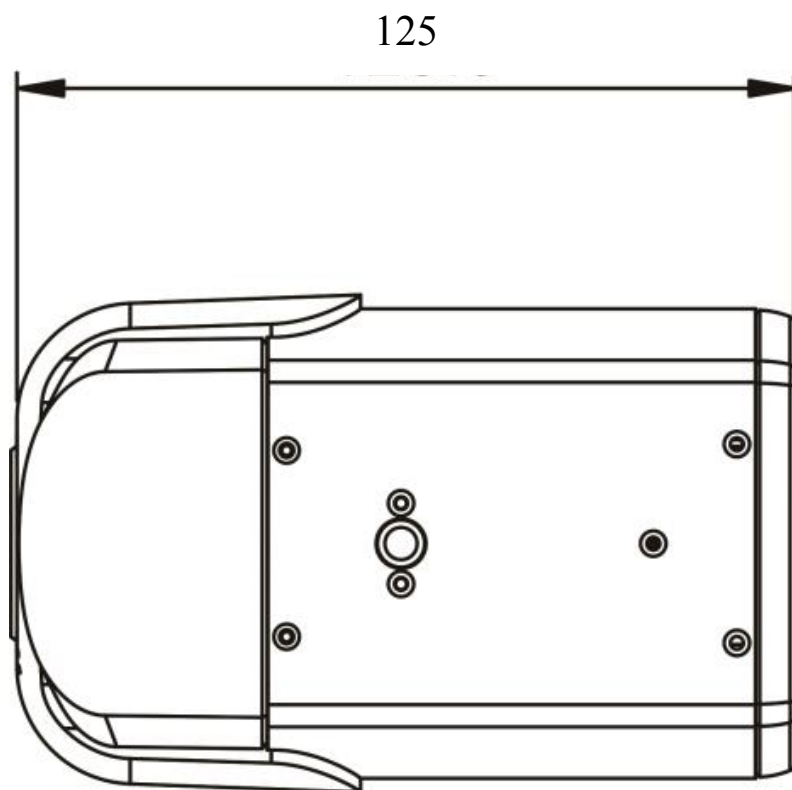
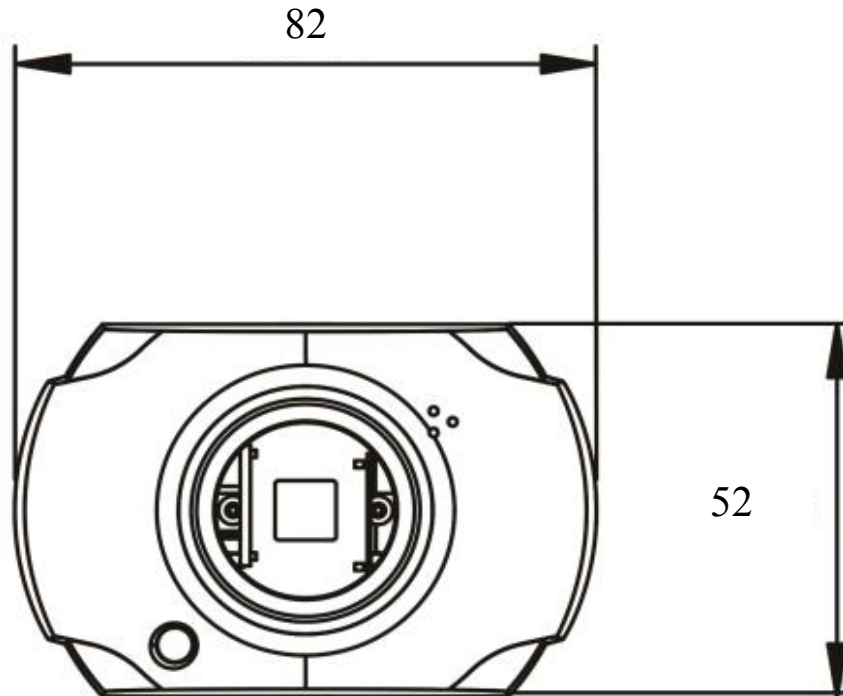
1.2. Dane techniczne NVIP-4DN7000C-1P

OBRAZ	
Przetwornik obrazu	4 MPX, matryca CMOS, 1/3", OV
Liczba efektywnych pikseli	2688 (H) x 1520 (V)
Czułość	0.05 lx/F1.2 - tryb kolorowy (DSS), 0.005 lx/F1.2 - tryb czarno-biały (DSS)
Elektroniczna migawka	automatyczna/manualna: 1/1 s ~ 1/10000 s
Wydłużona migawka (DSS)	do 1 s
Szeroki zakres dynamiki (WDR)	Tak (podwójne skanowanie przetwornika)
Cyfrowa redukcja szumu (DNR)	2D, 3D
KOMPATYBILNE OBIEKTYWY	
Mocowanie	CS
Sterowanie przysłoną	D
DZIEŃ/NOC	
Rodzaj przełączania	mechaniczny filtr podczerwieni
Tryb przełączania	automatyczny, manualny, czasowy, wyzwalany zewnątrz, smart
Harmonogram przełączania	tak
SIEĆ	
Rozdzielczość strumienia wideo	2688 x 1520, 2560 x 1440 (QHD), 1920 x 1080 (Full HD), 1280 x 1024 (SXGA), 1280 x 720 (HD), 1024 x 768 (XGA), 800 x 600 (SVGA), 720 x 576 (D1), 640 x 480 (VGA), 352 x 288
Prędkość przetwarzania	30 kl/s dla wszystkich rozdzielczości 60 kl/s dla 1920 x 1080 (Full HD) i niższych rozdzielczości
Tryb wielostrumieniowy	4 strumienie
Kompresja wideo/audio	H.264, MJPEG/G.711, G.726
Liczba jednoczesnych połączeń	maks. 8
Przepustowość	łącznie 40 Mb/s
Obsługiwane protokoły sieciowe	HTTP, TCP/IP, IPv4/v6, UDP, HTTPS, FTP, DHCP, RTSP, RTP, UPnP, SNMP, QoS, PPPoE, SMTP
Wsparcie protokołu ONVIF	Profile S (ONVIF 2.4)
Konfiguracja kamery	z poziomu przeglądarki Internet Explorer, Firefox, Chrome, Safari języki: polski, angielski, rosyjski, i inne
Kompatybilne oprogramowanie	NMS
POZOSTAŁE FUNKCJE	
Strefy prywatności	5
Detekcja ruchu	tak
Obszar obserwacji (ROI)	4
Detekcja Audio	tak
Obróbka obrazu	obrót obrazu o 90°, obrót obrazu o 180°, wyostrzenie, odbicie lustrzane
Prealarm/postalarm	do 3 s lub 20 klatek/do 9999 s lub 20 klatek
Reakcja na zdarzenia alarmowe	e-mail z załącznikiem, zapis na FTP, zapis na kartę SD, zapis na serwer NAS, aktywacja wyjścia alarmowego, powiadomienie HTTP
INTERFEJSY	
Wyjście wideo	BNC, 1.0 Vp-p, 75 Ohm - do celów serwisowych
Wejścia/wyjścia audio	1 x Jack (3.5 mm)/1 x Jack (3.5 mm)
Wejścia/wyjścia alarmowe	2 (NO/NC)/1
RS-485	Tak
Interfejs sieciowy	1 x Ethernet - złącze RJ-45, 10/100 Mbit/s
Gniazdo kart pamięci	microSD
PARAMETRY INSTALACYJNE	
Wymiary (mm)	82 (szer.) x 52 (wys.) x 125 (dł.)
Masa	0.33 kg
Obudowa	aluminiowa, w kolorze białym
Zasilanie	PoE, 12 VDC
Pobór mocy	4.2 W
Temperatura pracy	-30°C ~ 55°C

INFORMACJE WSTĘPNE

1.3. Wymiary kamery

Wymiary podano w mm.



INFORMACJE WSTĘPNE

1.4. Zawartość opakowania

Po otwarciu należy upewnić się czy w opakowaniu znajdują się następujące elementy:

- Kamera IP
- Torebka z akcesoriami montażowymi
- Skrócona instrukcje obsługi urządzenia.

Jeżeli którykolwiek z elementów został uszkodzony w transporcie, należy spakować zawartość z powrotem do oryginalnego opakowania i skontaktować się z dostawcą.

UWAGA

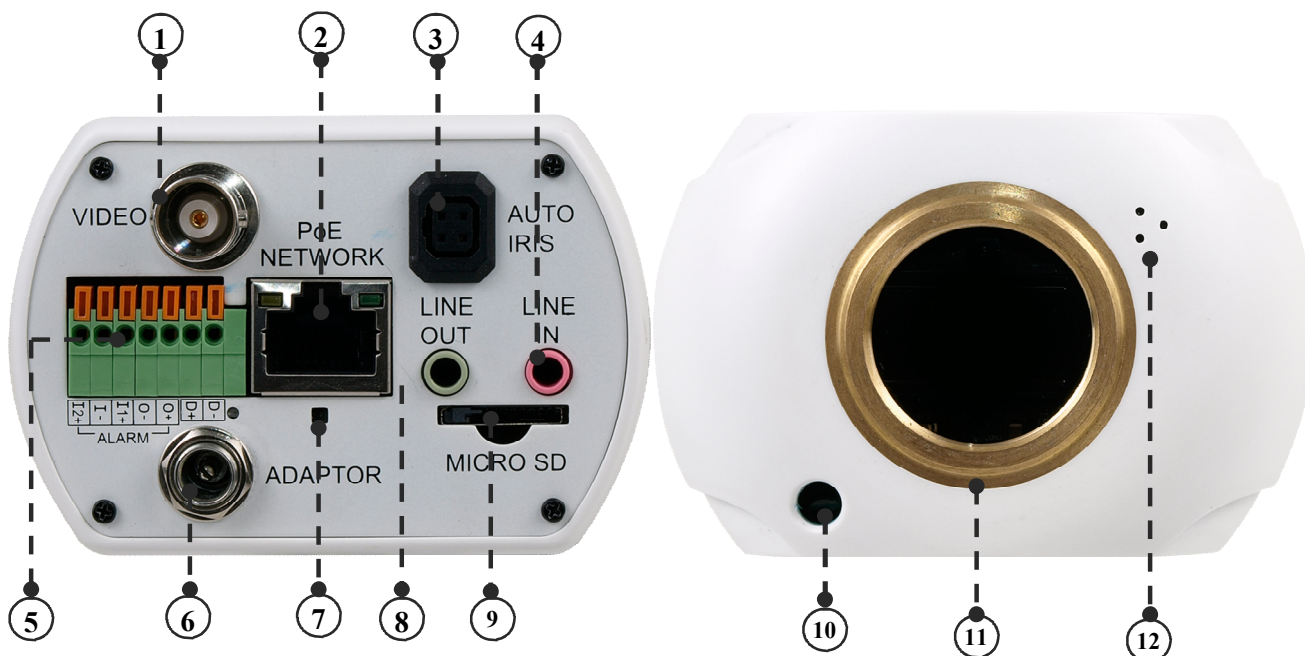
Jeżeli urządzenie przyniesione zostało z pomieszczenia o niższej temperaturze należy odczekać aż osiągnie temperaturę pomieszczenia, w którym ma pracować. Nie wolno włączać urządzenia bezpośrednio po przyniesieniu z chłodniejszego miejsca. Kondensacja zawartej w powietrzu pary wodnej może spowodować zwarcia i w konsekwencji uszkodzenie urządzenia.

Przed uruchomieniem urządzenia należy zapoznać się z opisem i rolą poszczególnych wejść, wyjść oraz elementów regulacyjnych, w które wyposażone są kamery.

URUCHAMIANIE I WSTĘPNA KONFIGURACJA KAMERY IP

2. URUCHAMIANIE I WSTĘPNA KONFIGURACJA KAMERY IP

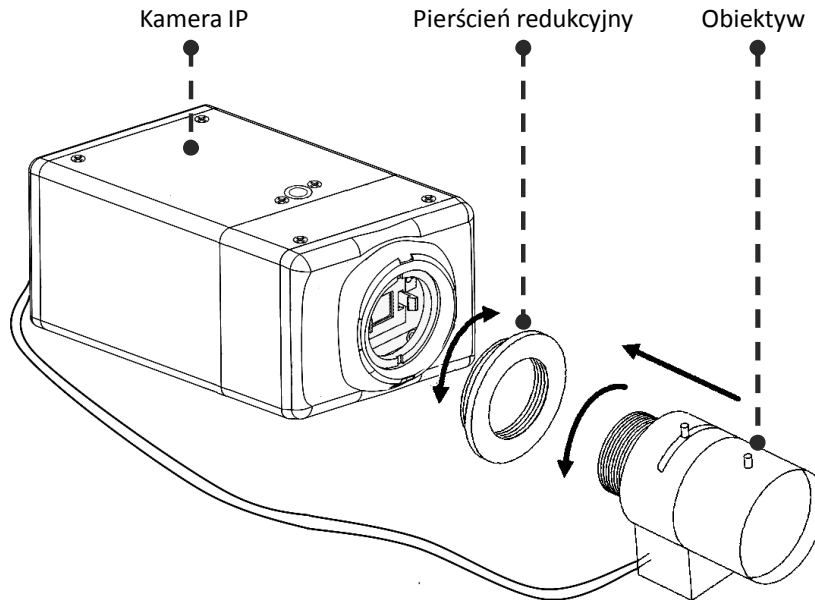
2.1. Opis głównych elementów kamery



1. Wyjście analogowe wideo
2. Port Ethernet 100 Mb/s (gniazdo RJ-45)
3. Gniazdo sterowania przysłony obiektywu typu Auto Iris
4. Wejście audio kamery
5. Złącze wejść/wyjść alarmowych i RS485
6. Gniazdo zasilania 12VDC
7. Przycisk Reset
8. Wyjście audio kamery
9. Złącze kart microSD
10. Czujnik światła
11. Gniazdo obiektywu
12. Wbudowany mikrofon

URUCHAMIANIE I WSTĘPNA KONFIGURACJA KAMERY IP

2.2. Montaż obiektywu do kamery NVIP-4DN7000C-1P



Montaż obiektywu:

1. Usunąć zaślepkę ochronną z gniazda obiektywu.
2. Usunąć folię zabezpieczającą sensor znajdującą się pod zaślepką.
3. Jeśli obiektyw posiada mocowanie typu C, wkręcić pierścień redukcyjny C/CS.
4. Przykręcić obiektyw.
5. Podłączyć końcówkę sterowania elektrycznego przysłony obiektywu do gniazda na obudowie kamery. Jeśli używasz obiektywu z manualną przysłoną - pomiń ten punkt.
6. Wyreguluj pole widzenia i ostrość obrazu używając odpowiednich regulatorów na obiektywie.
7. Dokonaj korekty poziomu wystawienia przysłony wykorzystując zakładkę *KONFIGURACJA* -> *KALIBRACJA PRZYSŁONY* w menu kamery.

Informacja:

Aby poprawnie zainstalować obiektyw z mocowaniem typu C należy użyć dodatkowy pierścień redukcyjny C/CS. Pierścień nie wchodzi w skład wyposażenia kamery.

UWAGA

Wkręcenie obiektywu z mocowaniem typu C bez pierścienia redukcyjnego grozi uszkodzeniem kamery i/lub obiektywu.

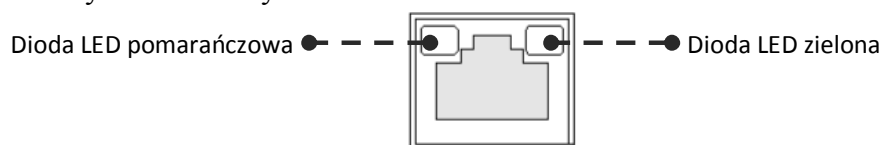
URUCHAMIANIE I WSTĘPNA KONFIGURACJA KAMERY IP

2.3. Uruchomienie kamery IP

W celu uruchomienia kamery należy podłączyć kabel ethernetowy do gniazda sieciowego RJ45 kamery IP, a drugi koniec do przełącznika sieciowego PoE w standardzie zgodnym z IEEE 802.3af.

Możliwe jest również zasilanie kamery z zewnętrznego stabilizowanego zasilacza o parametrach spełniających wymagania kamery.

Po prawidłowym podłączeniu zaświeci się dioda kontrolna zasilania, oraz zielona dioda w złączu RJ45, oznaczająca poprawne połączenie z przełącznikiem sieciowym. Migająca pomarańczowa dioda oznacza prawidłowy transfer danych.



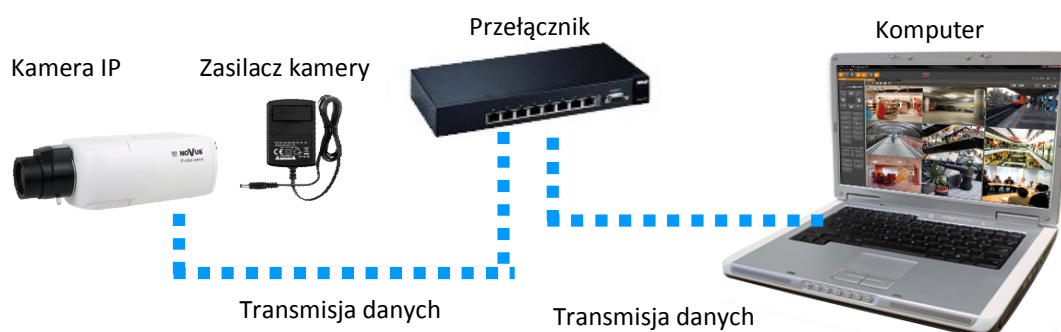
Po upływie ok. 30s można przystąpić do łączenia się z kamerą przez przeglądarkę internetową. Jeśli połączenie nie zostanie nawiązane (kabel sieciowy rozłączony) sygnalizowane jest to poprzez wygaszenie zielonej diody przy gnieździe ethernet.

Zalecaną metodą uruchomienia i konfiguracji kamery IP jest połączenie jej do komputera PC lub laptopa w wydzielonym przełączniku PoE do którego nie ma podłączonych innych urządzeń. W przypadku zasilania z zewnętrznego zasilacza wystarczy zastosować dowolny przełącznik sieciowy, lub kabel podłączony bezpośrednio do komputera. W celu uzyskania danych potrzebnych do konfiguracji sieci (adres IP, brama, maska sieci itd.) należy skontaktować się z administratorem sieci, w której urządzenie ma pracować.

- Połączenie wykorzystujące przełącznik sieciowy z PoE

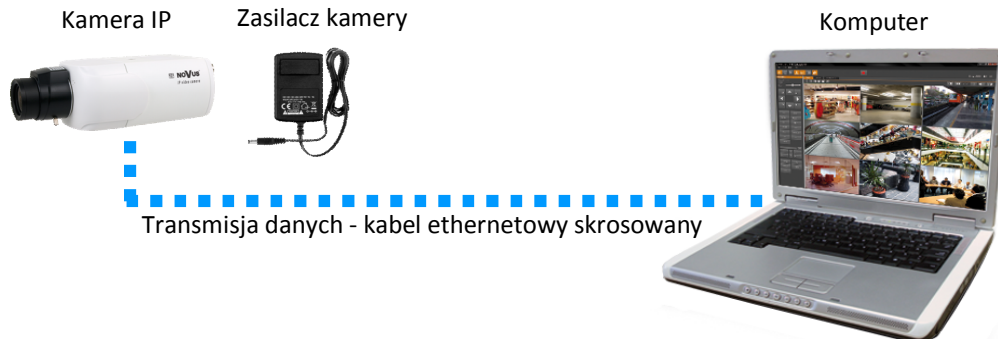


- Połączenie wykorzystujące zewnętrzne zasilanie kamery i przełącznik sieciowy



URUCHAMIANIE I WSTĘPNA KONFIGURACJA KAMERY IP

- Połączenie wykorzystujące zewnętrzne zasilanie kamery i kabel ethernetowy skrosowany



Informacja:

Zasilacz zewnętrzny nie wchodzi w skład zestawu, należy się w niego zaopatrzyć we własnym zakresie.

UWAGA

W celu ochrony kamery przed uszkodzeniem zalecane jest zastosowanie zabezpieczeń przepięciowych. Awarie powstałe w wyniku przepięć nie podlegają naprawie gwarancyjnej.

2.4. Konfiguracja parametrów przy użyciu przeglądarki internetowej

Konfigurację sieciową kamery można przeprowadzić przy pomocy przeglądarki internetowej.

Domyślne ustawienia sieciowe dla kamery IP NVIP-4DN7000C-1P to :

1. Adres IP = **192.168.1.200**
2. Maska sieci - **255.255.255.0**
3. Brama - **192.168.1.1**
4. Nazwa użytkownika - **root**
5. Hasło - **pass**

Znając adres IP kamery należy ustawić adres IP komputera w taki sposób aby oba urządzenia pracowały w jednej podsieci (dla adresu IP kamery 192.168.1.200 jako adres IP komputera PC możemy ustawić adres z zakresu 192.168.1.0 - 192.168.1.254, np.: 192.168.1.60). Niedopuszczalne jest ustawianie adresu komputera takiego samego jak adres kamery.

Wykorzystując połączenie przez przeglądarkę internetową Internet Explorer lub oprogramowanie NMS należy ustawić docelową konfigurację sieciową (adres IP, maskę sieci, bramę, serwery DNS) lub włączyć tryb pracy DHCP pozwalający na pobranie adresu IP z serwera DHCP (wymagany jest wówczas działający serwer DHCP). W przypadku korzystania z serwera DHCP należy upewnić się co do długości okresu dzierżawy adresu IP, jego powiązania z adresem MAC kamery IP w celu uniknięcia zmiany lub utraty adresu IP w czasie pracy urządzenia lub chwilowej awarii sieci / serwera DHCP. Należy pamiętać że po zmianie adresu IP kamera zostanie zresetowana i trzeba wpisać nowy adres w przeglądarce internetowej.

Po konfiguracji ustawień sieciowych pozwalających na bezkonfliktową pracę urządzenia, kamerę IP możemy podłączyć do sieci docelowej.

POŁĄCZENIA SIECIOWE ZA POMOCĄ PRZEGLĄDARKI WWW

3. POŁĄCZENIA SIECIOWE ZA POMOCĄ PRZEGLĄDARKI WWW

3.1. Zalecana konfiguracja komputera PC do połączeń przez przeglądarkę WWW

Poniższe wymagania dotyczą połączenia z kamerą IP przy założeniu płynnego wyświetlania obrazu wideo w rozdzielczości 2688x1520 dla 30kl/s.

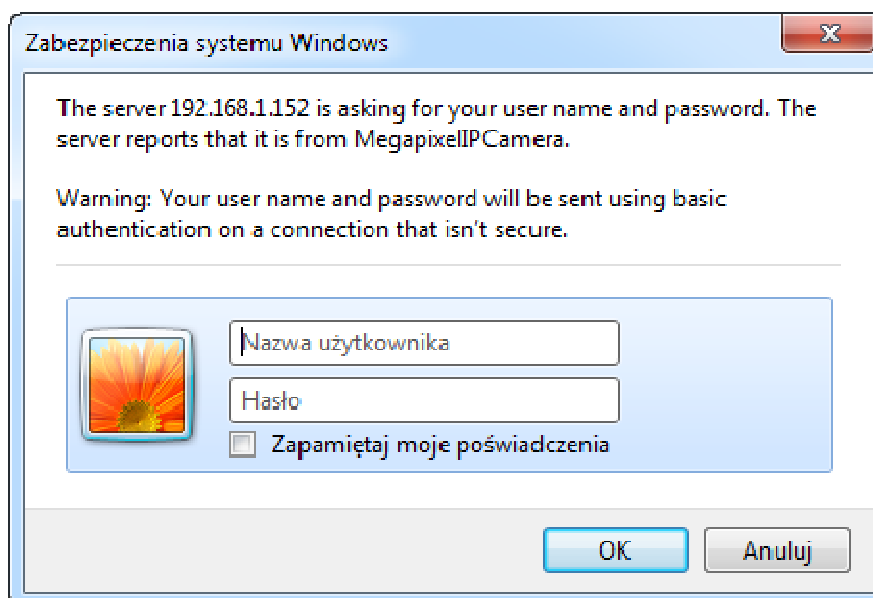
1. Procesor **Intel Core i3 3 GHz** lub wyższy
2. Pamięć **RAM min. 4 GB**
3. Karta grafiki **NVidia GeForce z 512 MB pamięci RAM**, lub odpowiednik
4. System operacyjny **Windows 7 / 8 / 8.1 / 10**
5. Karta sieciowa **100/1000 Mb/s**

3.2. Połączenie sieciowe z kamerą IP za pomocą przeglądarki Internet Explorer

Informacja: Zalecane jest stosowanie przeglądarki Internet Explorer w wersji 11.

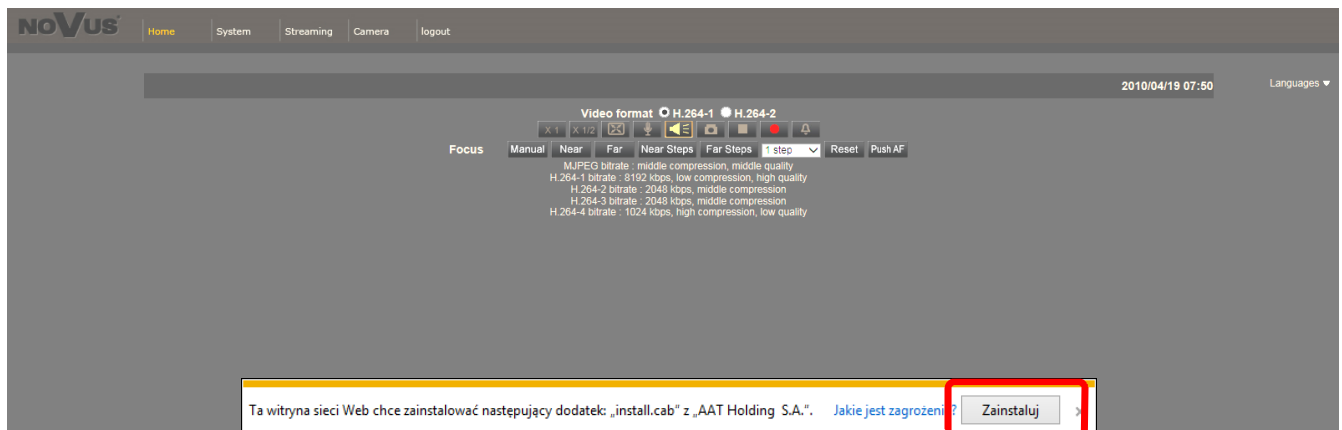
W pasku adresu przeglądarki Internet Explorer należy wpisać adres IP kamery. Jeśli podany adres jest prawidłowy i docelowe urządzenie jest w danej chwili osiągalne zostanie wyświetlone okno logowania do interfejsu sieciowego:

Domyślny użytkownik to **root** a hasło **pass**. Ze względów bezpieczeństwa zaleca się zmianę domyślnych wartości. Nową nazwę użytkownika i hasło należy zapamiętać lub zapisać w bezpiecznym miejscu.

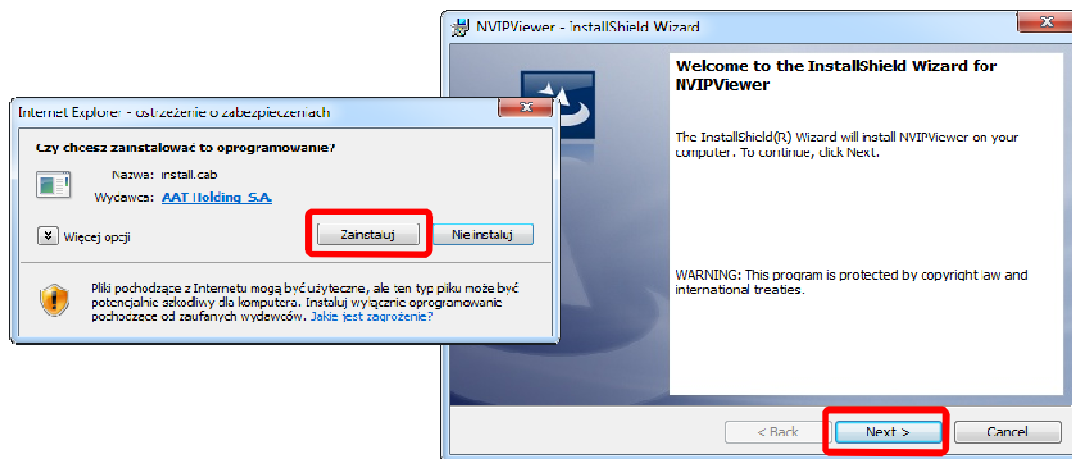


Po prawidłowym zalogowaniu się do kamery Internet Explorer pobierze z urządzenia aplet odpowiedzialny za wyświetlanie obrazu z kamery. W zależności od aktualnych ustawień bezpieczeństwa może okazać się konieczne zaakceptowanie nieznanego dla systemu formantu ActiveX. W takim wypadku należy kliknąć na przycisk „Zezwalaj” aby pobrać z kamery i zainstalować dodatek *install.cab* uruchamiający instalatora apletu *NVIPViewer*.

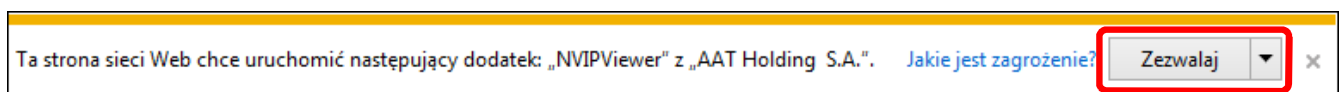
POŁĄCZENIA SIECIOWE ZA POMOCĄ PRZEGLĄDARKI WWW



W kolejnych krokach należy potwierdzić wolę zainstalowania dodatku, oraz rozpocząć proces instalacji dodatku *NVIPViewer*:



Po zakończeniu instalacji i restarcie przeglądarki może się pojawić monit systemu zabezpieczeń o zgodę na uruchomienie dodatku. Należy zezwolić na jego uruchomienie. Instalacja jest zakończona.



Jeżeli instalacja przeprowadzona w ten sposób się nie powiedzie należy zmienić ustawienia zabezpieczeń przeglądarki. Aby to zrobić należy w przeglądarce Internet Explorer wybrać: *Narzędzia > Opcje internetowe > Zabezpieczenia > Poziom niestandardowy* i następnie zmienić:

- Pobieranie niepodpisanych formantów ActiveX - należy ustawić **Włącz** lub **Monituj**
- Inicjowanie i wykonywanie skryptów formantów ActiveX niezaznaczonych jako bezpieczne do wykonywania - należy ustawić **Włącz** lub **Monituj**

Można również dodać adres IP kamer do strefy *Zaufane witryny* i ustawić dla tej strefy niski poziom zabezpieczeń.

Dodatkowo w przypadku pracy w systemie Windows Vista, 7, 8 i 10 możliwe jest zablokowanie apletu ActiveX przez Windows Defender i Kontrolę konta użytkownika. W takim przypadku należy zezwolić na uruchamianie dodatku lub po prostu wyłączyć działające blokujące aplikacje.

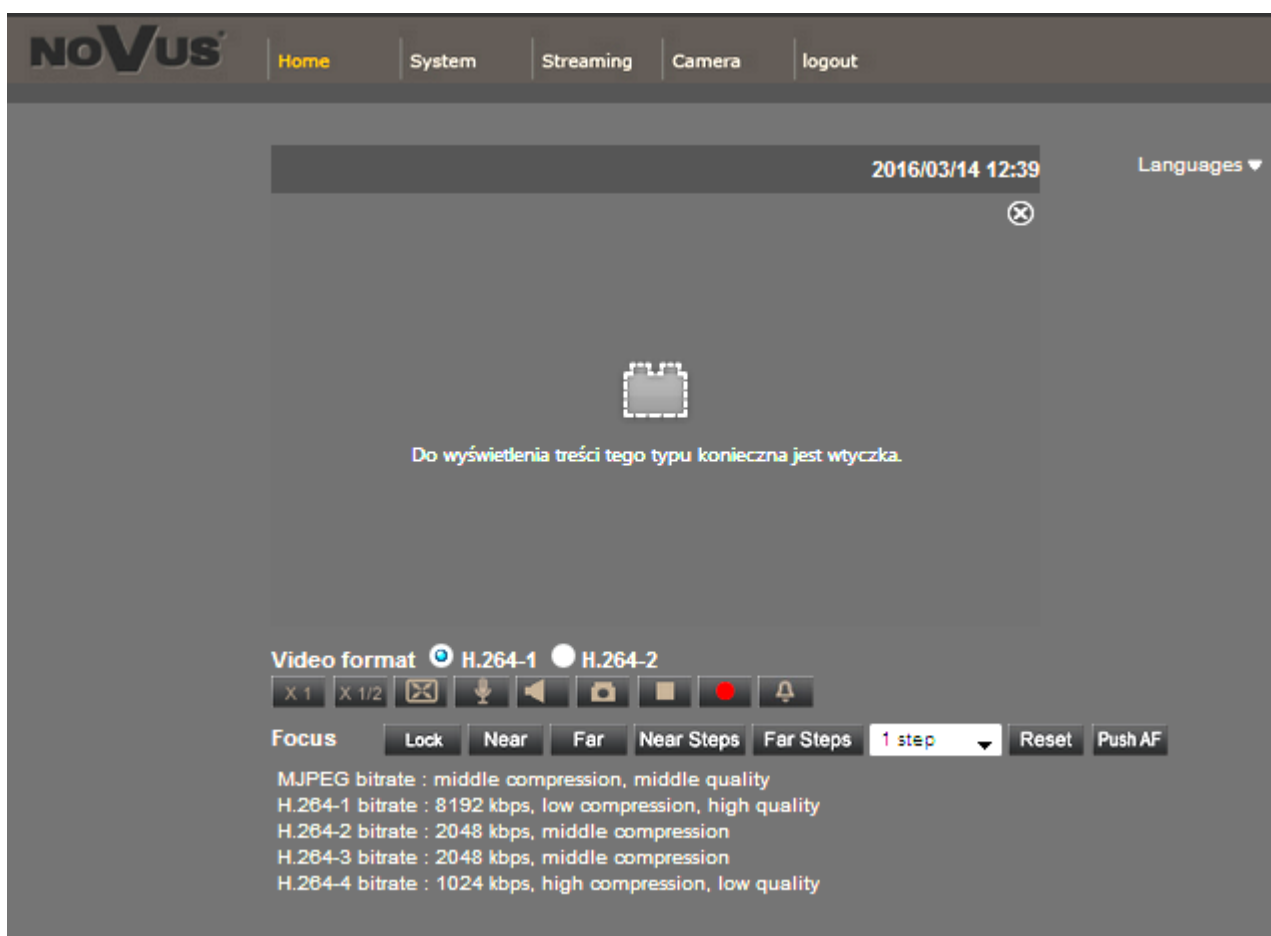
POŁĄCZENIA SIECIOWE ZA POMOCĄ PRZEGLĄDARKI WWW

3.3. Połączenie sieciowe z kamerą IP za pomocą innych przeglądarek (np. Chrome, Mozilla Firefox, Safari)

Możliwe jest również połączenie z kamerą przy pomocy innych przeglądarek, ale połączenie takie może nie oferować pełnej funkcjonalności kamery, dlatego zalecaną przeglądarką jest Internet Explorer.

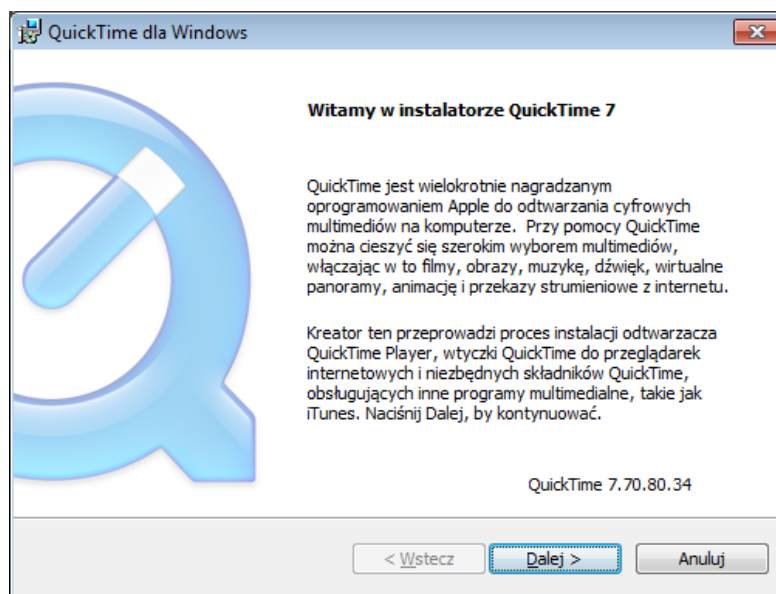
Pierwsze uruchomienie kamery IP w przeglądarce Mozilla Firefox przebiega podobnie do jak w przypadku IE. Po wpisaniu właściwego adresu IP należy wpisać użytkownika i hasło. Domyślny użytkownik to **root** a hasło **pass**.

pl



Po zalogowaniu się otrzymamy okno podglądu wideo bez wyświetlanego strumienia. W celu uzyskania podglądu strumienia należy pobrać i zainstalować aplikację QuickTime ze strony producenta: <http://www.apple.com/pl/quicktime/download/>

POŁĄCZENIA SIECIOWE ZA POMOCĄ PRZEGLĄDARKI WWW

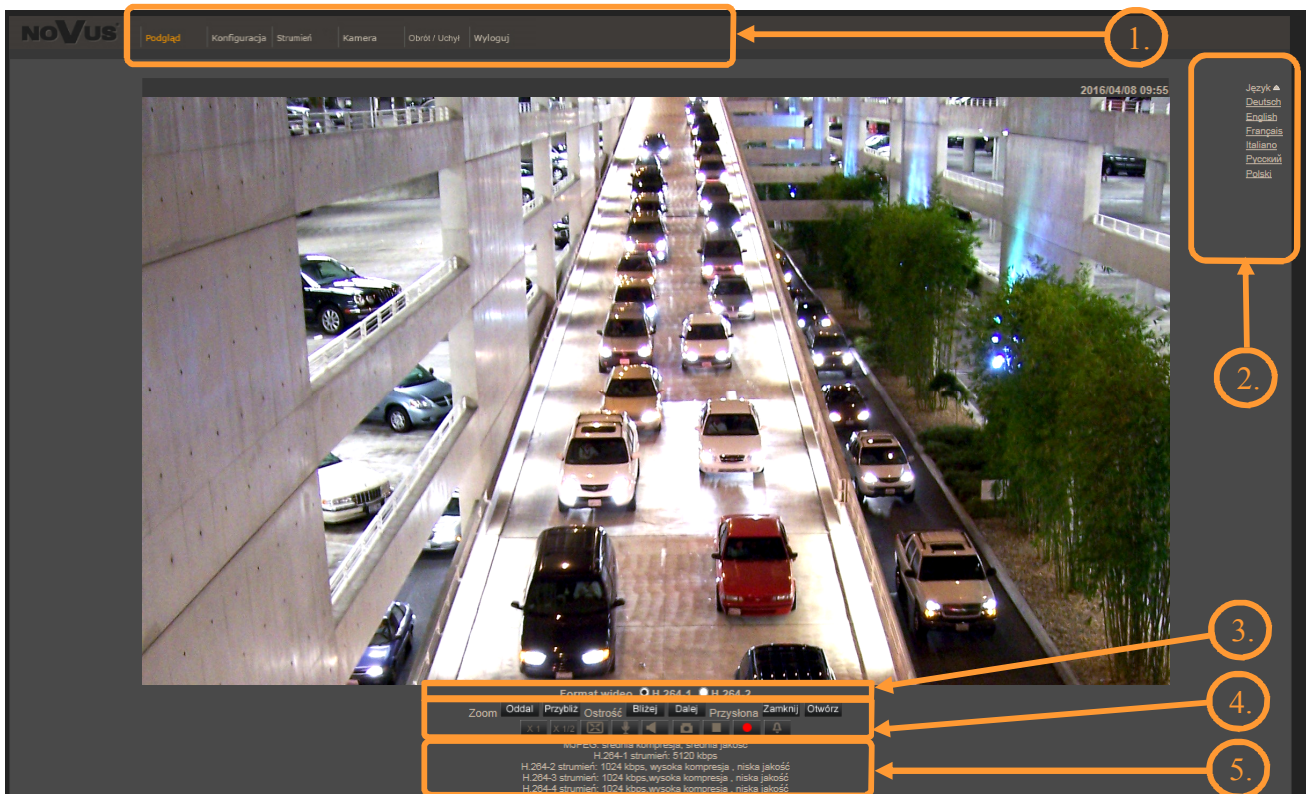


Następnie pojawi się okno potwierdzające instalację poszczególnych komponentów. Po prawidłowym zainstalowaniu niezbędnych składników oraz po zrestartowaniu przeglądarki w oknie przeglądarki powinien pojawić się obraz z kamery.

INTERFEJS WWW - PRACA Z KAMERA

4. INTERFEJS WWW - PRACA Z KAMERA

4.1. Wyświetlanie obrazu na żywo



1. Menu główne kamery:

Podgląd — podgląd obrazu na żywo z kamery

Konfiguracja — ustawienia kamery (np. adres IP, nagrywanie, powiadomienia, detekcja ruchu)

Strumień — ustawienia parametrów strumienia wideo i audio

Kamera — ustawienia parametrów obrazu kamery

Obrót/Uchył — ustawienia PTZ w przypadku wykorzystania wyjścia RS-485 kamery

Wyloguj — wylogowanie aktualnego użytkownika

2. Wybór języka menu kamery.

3. Wybór formatu strumienia do podglądu na żywo.

4. Funkcje kamery dla podglądu na żywo w przeglądarce



- wielkość wyświetlania obrazu w przeglądarce



- włączenie trybu pełnoekranowego



- włącza mikrofon - uaktywnia odsłuch z wejścia audio kamery



- włącza głośnik - uaktywnia wysyłanie dźwięku przez wyjście audio

INTERFEJS WWW - PRACA Z KAMERA



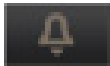
- zapis aktualnego obrazu jako zdjęcie - plik JPG



- zatrzymanie/uruchomienie podglądu na żywo



- zapis aktualnego obrazu jako film - plik AVI



- ręczne wyzwalanie wyjścia alarmowego

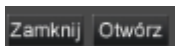
4. Przyciski sterowania przybliżeniem i ostrością kamery (w przypadku podłączenia obiektywu motor-zoom). Sterowanie ruchem w poziomie i w pionie odbywa się bezpośrednio z okna wideo. Funkcje te są dostępne po włączeniu sterowania w menu, wyborze odpowiedniego protokołu i ustawieniu głowicy PTZ



- zoom - sterowanie zoomem kamery w przypadku podłączenia obiektywu motor-zoom



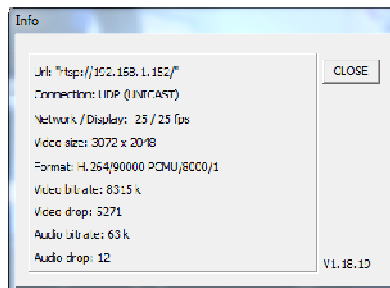
- ostrość - sterowanie ostrością kamery w przypadku zastosowania obiektywu motor-zoom



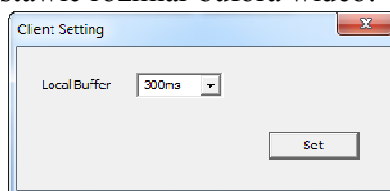
- przysłona - sterowanie przysłoną obiektywu w przypadku połączenia kamery z obiektywem motor-zoom

5. Informacja o aktualnie zdefiniowanych parametrach strumieni.

Po podwójnym kliknięciu lewym przyciskiem myszy na ekranie wideo dostępne są dodatkowe informacje o aktualnie wyświetlanym obrazie:



Kliknięcie prawym przyciskiem myszy na ekranie wideo uaktywnia menu kontekstowe, z którego możemy włączyć pełny ekran, lub ustawić rozmiar bufora wideo:



POŁĄCZENIA ELEKTRYCZNE I ZŁĄCZA AKCESORIÓW

5. POŁĄCZENIA ELEKTRYCZNE I ZŁĄCZA AKCESORIÓW

5.1. Podłączenie zasilania kamery

Kamera może być zasilana przez zewnętrzny zasilacz o parametrach zgodnych z zasilaniem kamery lub przez gniazdo sieciowe RJ45 przy wykorzystaniu technologii PoE (IEEE 802.3af). Do zasilania kamery poprzez PoE należy użyć przełącznika sieciowego lub zasilacza PoE zgodnego ze standardem IEEE 802.3af.

Informacja:

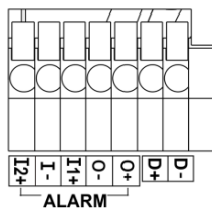
Zasilacz zewnętrzny nie wchodzi w skład zestawu., należy się w niego zaopatrzyć we własnym zakresie.

UWAGA

W celu ochrony kamery przed uszkodzeniem zalecane jest zastosowanie zabezpieczeń przepięciowych. Awarie powstałe w wyniku przepięć nie podlegają naprawie gwarancyjnej.

5.2. Opis złączy wejść/wyjść alarmowych oraz protokołu RS485

5.2.1 Opis zacisków złączy wejść i wyjść alarmowych oraz protokołu RS485:



I2+ -wejście alarmowe 2+
I- -wejście alarmowe -
I1+ -wejście alarmowe 1+
0- -wyjście alarmowe -
0+ -wyjście alarmowe +

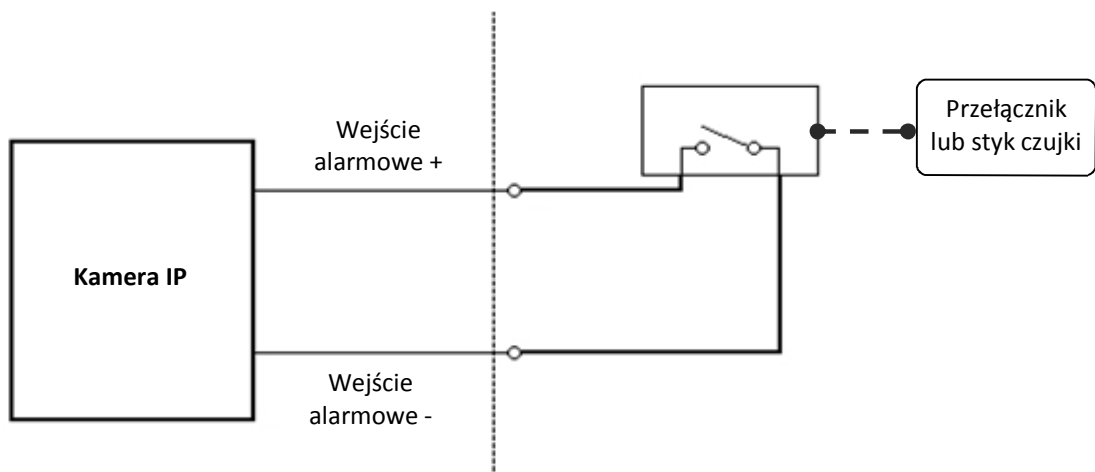
D+ - RS485+
D- - RS485-

5.2.2 Opis stanów wejść i wyjść alarmowych kamery.

Wejścia i wyjścia alarmowe kamery są w pełni konfigurowalne, tzn. że możliwe jest ustawienie jako stanu aktywnego zarówno stanu zwarcia jak i przerwy. Odpowiednie opcje są dostępne w menu *KONFIGURACJA* kamery w zakładce *ZDARZENIA ALARMOWE*.

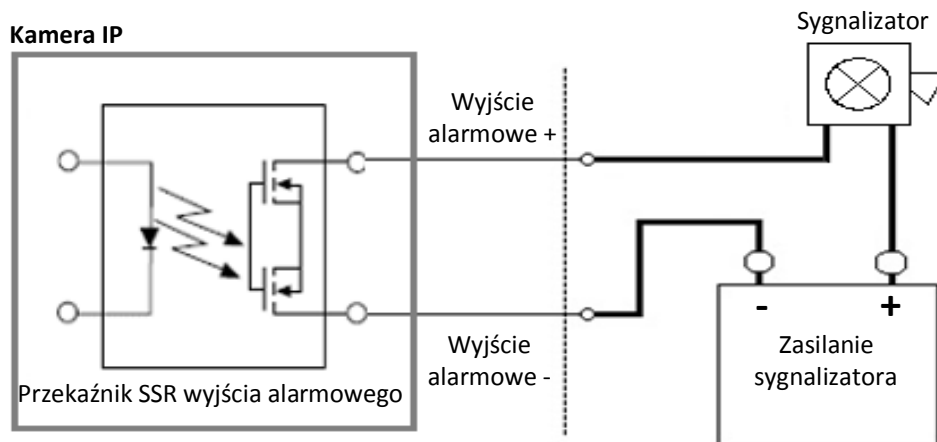
5.2.3 Typowe podłączenia elektryczne

- Przykładowe połączenia wejścia alarmowego



POŁĄCZENIA ELEKTRYCZNE I ZŁĄCZA AKCESORIÓW

- Przykładowe połączenia wyjścia alarmowego.



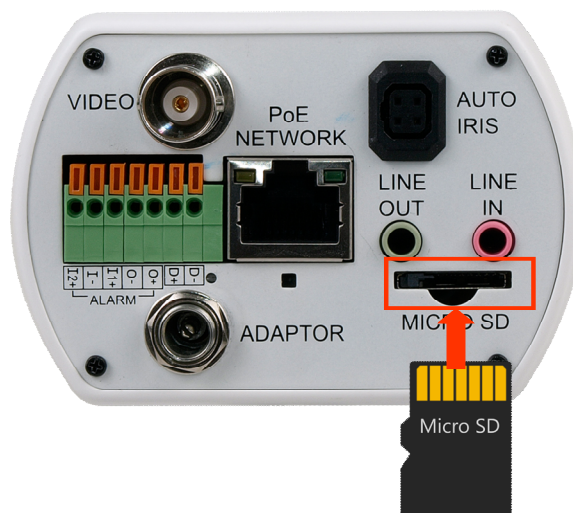
UWAGA

Nie przestrzeganie właściwej polaryzacji przy podłączaniu urządzeń zewnętrznych do wyjścia alarmowego może spowodować nieprawidłowe działanie systemu lub uszkodzenie kamery.

5.3. Instalacja karty SD

Kamera obsługuje karty microSD, microSDHC i microSDXC o pojemności do 64GB. W celu prawidłowej instalacji karty należy postępować zgodnie z instrukcją:

- Wyłączyć zasilanie kamery
- Zainstalować kartę SD w gnieździe znajdującym się na tylnej ścianie kamery, zgodnie z rysunkiem:



- Włączyć kamerę
- Sformatować kartę SD w zakładce *ZARZĄDZANIE DYSKAMI* -> *KARTA SD*. W tej samej zakładce można sprawdzić poprawność zainstalowania karty przez zweryfikowanie jej rozmiaru.

PRZYWRACANIE USTAWIEŃ FABRYCZNYCH KAMERY

6. PRZYWRACANIE USTAWIEŃ FABRYCZNYCH KAMERY

Kamery IP marki NOVUS umożliwiają resetowanie ustawień:

- programowo (z poziomu przeglądarki): restartowanie kamery, przywrócenie ustawień fabrycznych z zachowaniem ustawień sieciowych, całkowite przywrócenie ustawień fabrycznych
- sprzętowo (przy użyciu przycisku reset): całkowite przywrócenie ustawień fabrycznych kamery (włącznie z ustawieniami sieciowymi).

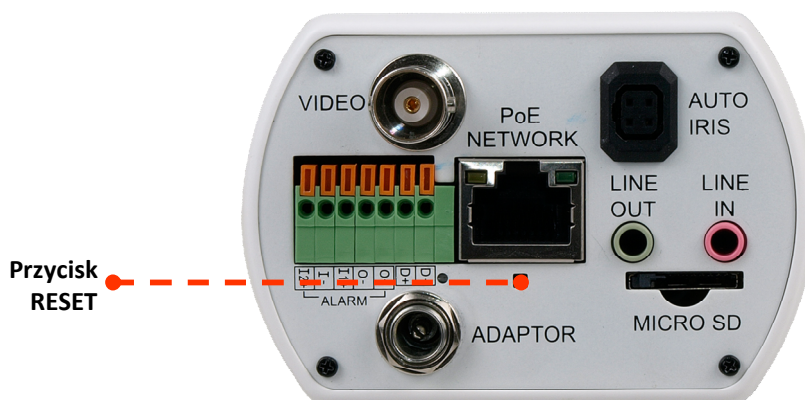
6.1. Programowe resetowanie ustawień kamery IP

Resetowanie ustawień kamery IP powoduje przywrócenie wszystkich (opcjonalnie z pominięciem ustawień sieciowych) domyślnych ustawień kamery. Kamera zostanie ponownie uruchomiona po ok. 1 minucie. Opcja do programowego przywrócenia ustawień fabrycznych znajduje się w zakładce *KONFIGURACJA -> USTAWIENIA FABRYCZNE*.

6.2. Przywracanie ustawień fabrycznych kamery IP (sprzętowe)

W celu sprzętowego przywrócenia ustawień fabrycznych kamery IP należy postępować zgodnie z instrukcją:

- wcisnąć przycisk *RESET* i przytrzymać przez 10 sekund.
- zwolnić przycisk
- zalogować się ponownie po ok. 1 minucie używając domyślnego adresu IP (<http://192.168.1.200>), nazwy użytkownika (*root*) i hasła (*pass*)



Przycisk reset znajduje się wewnątrz otworu zaznaczonego na rysunku. Do jego wciśnięcia należy użyć cienkiego przedmiotu.

noVus[®]

AAT Holding S.A., ul. Puławska 431, 02-801 Warszawa, Polska
tel.: 22 546 07 00, faks: 22 546 07 59
www.novuscctv.com

2016-04-14 MF, MK, MM v.1.0