

Quick start guide



NVIP-2SD-6540/15

NOVUS[®]

CAUTIONS AND WARNINGS

THE PRODUCT MEETS THE REQUIREMENTS CONTAINED IN THE FOLLOWING DIRECTIVES:



DIRECTIVE 2014/30/EU OF THE EUROPEAN PARLIMENT AND OF THE COUNCIL of 26 February 2014 on the harmonization of the laws of the Member States relating to electromagnetic compatibility (OJ L 96, 29.3.2014, p. 79–106, with changes).



DIRECTIVE 2012/19/EU OF THE EUROPEAN PARLIAMENT AND OF THE COUNCIL of 4 July 2012 on waste electrical and electronic equipment (WEEE) (OJ L 197, 24.7.2012, p. 38–71, with changes).



DIRECTIVE 2011/65/EU OF THE EUROPEAN PARLIAMENT AND OF THE COUNCIL of 8 June 2011 on the restriction of the use of certain hazardous substances in electrical and electronic equipment (OJ L 174, 1.7.2011, p. 88–110, with changes).

COMMISSION DELEGATED DIRECTIVE (EU) 2015/863 of 31 March 2015 amending Annex II to Directive 2011/65/EU of the European Parliament and of the Council as regards the list of restricted substances.

DIRECTIVE (EU) 2017/2102 OF THE EUROPEAN PARLIAMENT AND OF THE COUNCIL of 15 November 2017 amending Directive 2011/65/EU on the restriction of the use of certain hazardous substances in electrical and electronic equipment.

Exclusion of liability in the event of damage to data contained on disks or other devices or media:

The manufacturer is not liable in the event of damage or loss of data contained on disks or other devices or carriers during the operation of the Product.

Obligation to consult the Manufacturer before performing any action not provided for in the instruction manual or other documents:

Before performing an action that is not provided for a given Product in the user manual, other documents attached to the Product or does not result from the normal purpose of the Product, it is necessary, under pain of exclusion of the Manufacturer's liability for the consequences of such action, to contact the Manufacturer.



Pictures in this publication showing camera views can be simulations. Actual camera images may vary depending on the type, model, settings, observation area, or environmental conditions.

SAFETY REQUIREMENTS



Before using the device, read the instruction manual in order to ensure proper and safe operation of the device. Failure to comply with the instructions may lead to damage to the device and/or safety violations.



The user may not repair the device himself. Repairs and maintenance of the device may only be performed by qualified service personnel.



The device, which is an element of a professional CCTV system used for supervision and control, is not intended for self-assembly in households by persons without specialist knowledge.

eng

1. Please read this manual carefully before installation and operation;
2. Please keep this manual for the lifespan of the device in case referring to the contents of this manual is necessary;
3. It is necessary to comply with the safety requirements described in the manual, as they have a direct impact on the safety of users and the durability and reliability of the device;
4. All activities performed by installers and users must be carried out as described in the manual;
5. The device should be disconnected from power sources during maintenance procedures;
6. It is not allowed to use any additional devices, components or accessories not provided for and not recommended by the manufacturer;
7. Do not install this device in places where proper ventilation cannot be provided (e.g. closed cabinets, etc.), as this may cause heat build-up and may result in damage;
8. Do not place the device on unstable surfaces. Installation must be carried out by qualified personnel with appropriate permissions in accordance with the recommendations provided in this manual;
9. The device may be powered only from sources with parameters compliant with those indicated by the manufacturer in the technical data;



As the product is constantly improved and optimised, some of its parameters and functions may have changed from those described in this manual. If in doubt, please refer to the user manual at www.novuscctv.com

The user manual located at www.novuscctv.com is always the most up-to-date version.

TABLE OF CONTENTS

TABLE OF CONTENTS

1. FOREWORD INFORMATION	5
1.1. General characteristics.....	5
1.2. Technical specification	6
1.3. Camera dimension	8
1.4. Package contents.....	8
2. START-UP AND INITIAL CONFIGURATION	9
2.1. Description of connectors.....	9
2.2. Connecting ethernet cable	9
2.3. Description of the camera components	10
2.4. Protection against water ingress	10
2.5. Wall mounting of the camera.	11
2.6. Starting the camera	12
2.7. Initial configuration via the web browser.....	13
2.8. Security recommendations for network architecture and configuration	14
3. NETWORK CONNECTION UTILIZING WEB BROWSER	15
3.1. Recommended PC specification for web browser connections	15
3.2. First connection to the camera via a web browser	15
4. WEB INTERFACE - WORKING WITH THE CAMERA	16
4.1. The remote preview interface.....	16
5. SD CARD INSTALLATION	10
6. RESTORING FACTORY DEFAULTS	20
6.1. Software factory reset.....	20
6.2. Software factory reset using the NMSiptool	20
6.3. Hardware factory reset	20
7. SPECIAL PRESETS	20
8. CONFIGURATION OF OBJECT TRACKING OPTIONS	22

FOREWORD INFORMATION

1. FOREWORD INFORMATION

1.1. General Characteristics

- Sensor resolution: 2 megapixels
- Mechanical IR cut filter, IR operation capability
- Min. Illumination from 0.00025 lx/F1.6 (0 lx with IR LED on)
- Wide Dynamic Range (WDR) for enhanced image quality in diverse light conditions
- Digital Slow Shutter (DSS)
- Digital Noise Reduction (DNR)
- Defog Function (F-DNR)
- Highlight Compensation (HLC)
- Back Light Compensation (BLC)
- Lens type: motorzoom with AF and AI, $f=5 \sim 75$ mm/F1.6 ~ F2.8
- Optical zoom: 15x
- Built-in IR LED illuminator
- 8 cruises (16 presets per cruise)
- 4 traces (up to 180 seconds each)
- 2 scan modes
- 360 presets
- Auto-flip - automatic camera rotation 180°
- The ability to control zoom, tilt and pan directly via the website and from the NOVUS MANAGEMENT SYSTEM VSS program
- Motion detection
- Compression: H.264, H.264+, H.265, H.265+, MJPEG
- Max video processing resolution: 1920 x 1080
- Operation in 3-stream mode: ability to define compression, resolution, speed and quality for each stream
- Content analysis based on Deep Learning
- The ability to track recognized objects
- Pre & post-alarm functions
- Built-in web server - the ability to view and configure camera settings via the website
- Support for micro SD memory cards up to 256 GB
- Possibility to broadly define the system's reaction to alarm events
- Degree of protection IP66
- Power supply: 12 VDC, PoE (IEEE 802.3af, Class 3)

eng

FOREWORD INFORMATION

1.2. Technical specification

IMAGE	
Image Sensor	2 MPX CMOS sensor 1/2.8" SmartSens
Number of Effective Pixels	1920 (H) x 1080 (V)
Min. Illumination	0.00125 lx/F1.6 - color mode, 0.00025 lx/F1.6 - B/W mode, 0 lx (IR on) - B/W mode
Electronic Shutter	auto: 1 s ~ 1/100000 s
Digital Slow Shutter (DSS)	up to 1 s
Wide Dynamic Range (WDR)	yes (double scan sensor), 128dB
Digital Noise Reduction (DNR)	2D, 3D
Highlight Compensation (HLC)	yes
Back Light Compensation (BLC)	yes
Reduction of image flicker (Antiflicker)	yes
LENS	
Optical Zoom	15x
Lens Type	motorized, auto-iris function, f=5 ~ 75 mm/F1.6 ~ F2.8
Auto-focus	zoom trigger, day/night mode trigger, manual trigger
DAY/NIGHT	
Switching Type	mechanical IR cut filter
Switching Mode	auto, manual, time
Switching Level Adjustment	yes
Switching Schedule	yes
Visible Light Sensor	yes
NETWORK	
Stream Resolution	1920 x 1080 (Full HD), 1280 x 720 (HD), 704 x 576, 640 x 480 (VGA), 480 x 240, 352 x 288 (CIF)
Frame Rate	30 fps for each resolution
Multistreaming Mode	3 streams
Video/Audio Compression	H.264, H.264+, H.265, H.265+, MJPEG/-
Number of Simultaneous Connections	max. 10
Bandwidth	40 Mb/s in total
Network Protocols Support	HTTP, TCP/IP, IPv4/v6, UDP, HTTPS, FTP, DHCP, DNS, DDNS, NTP, RTSP, RTP, UPnP, SNMP, QoS, IEEE 802.1X, PPPoE, SMTP, RTCP, HTML5
ONVIF Protocol Support	Profile S/G/T
Camera Configuration	from Internet Explorer, Firefox, Chrome, Opera, Edge browser languages: Polish, English, and others
Compatible Software	NOVUS MANAGEMENT SYSTEM VSS, NOVUS MANAGEMENT SYSTEM AC, N Control 6000
Mobile applications	SuperLive Plus (iPhone, Android)

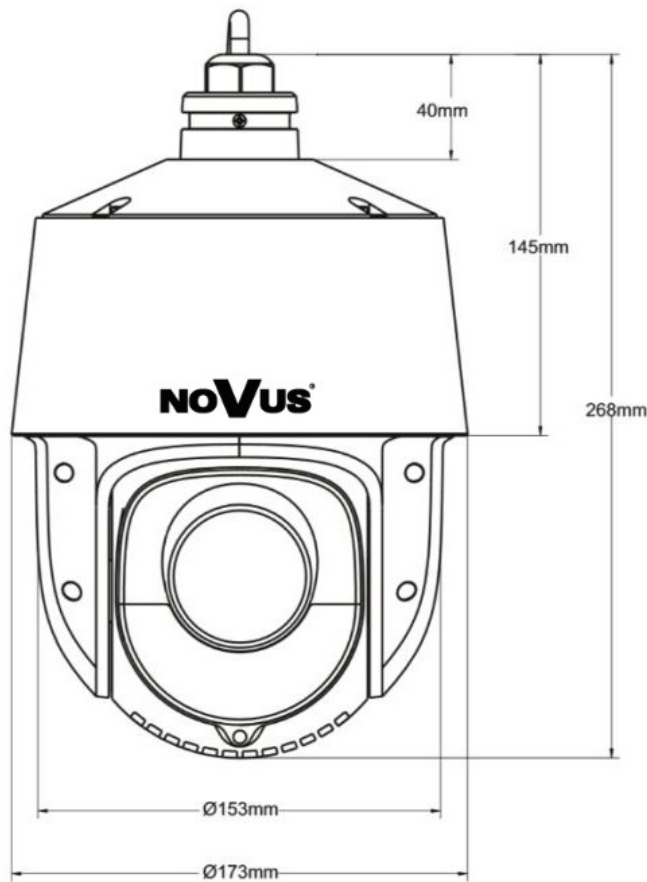
FOREWORD INFORMATION

PTZ	
Preset Commands	360 including 21 special (function) presets
Tours	8 (up to 16 presets per tour)
Patterns	4 (max. 180 s for each pattern)
Tilt/Pan Range	-10° ~ 90°/360° (continuous)
Pan/Tilt Speed	up to 80°/s (proportional to zoom)
Preset Speed	up to 80°/s
OTHER FUNCTIONS	
Privacy Zones	4 video mask type: single color
Motion Detection	yes
Video Content Analysis (VCA)	tamper, line cross, zone entrance, zone exit, Scene Change, Video Blurred, Video Color Cast, objects distinguishing, objects tracking, intrusion detection
Image Processing	vertical flip, horizontal flip
Prealarm/Postalarm	up to 6 s/up to 120 s
System Reaction to Alarm Events	e-mail with attachment, saving file on FTP server, saving file on SD card, object tracking
Restoring default settings	via web browser, using reset button, via NMS IPTool software
IR LED	
LED Number	6
Range	up to 200 m (depends on current optical zoom value)
Smart IR	yes (hardware support)
INTERFACES	
Network Interface	1 x Ethernet - RJ-45 interface, 10/100 Mbit/s
Memory Card Slot	microSD - capacity up to 256GB
INSTALLATION PARAMETERS	
Dimensions (mm)	173 (Φ) x 268 (H) with bracket: 173 (W) x 415 (H) x 300 (L)
Weight	2.1 kg with bracket: 2.8 kg
Degree of Protection	IP 66 (details in the user's manual)
Enclosure	aluminium, white, IK10 impact rating, in set: outdoor housing (integrated with the camera), wall mount bracket
Power Supply	12 VDC, PoE (IEEE 802.3af, Class 3)
Surge protection	TVS 6000 V
Power Consumption	8 W, 12 W (IR illuminator on)
Operating Temperature	-30°C ~ 65°C
Humidity	max. 90%, relative (non-condensing)

eng

FOREWORD INFORMATION

1.3. Camera dimensions



1.4. Package contents

After you open the package make sure that the following elements are inside:

- IP camera
- Wall mount
- Accessories bag
- Quick start guide

If any of this elements has been damaged during transport, pack all the elements back into the original box and contact your supplier for further assistance.

Caution!

If the device was brought from a location with lower temperature, please wait until it reaches the temperature of location it is currently in. Turning the device on immediately after bringing it from a location with lower ambient temperature is forbidden, as the condensing water vapour may cause short-circuits and damage the device as a result.

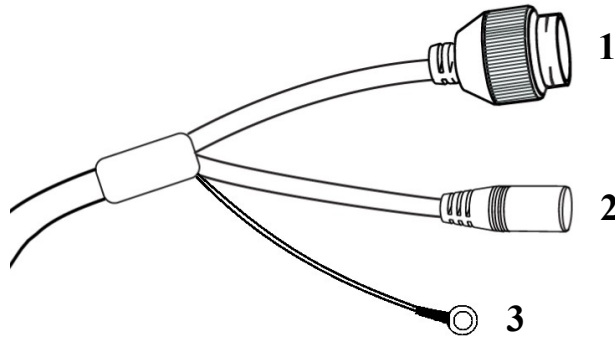
START-UP AND INITIAL CONFIGURATION

2.START-UP AND INITIAL CONFIGURATION

Before starting the device familiarize yourself with the description and the role of particular inputs, outputs and adjusting elements that the device is equipped with.

2.1. Description of connectors

1. 100 Mb/s Ethernet port (RJ-45 connector)
2. 12 VDC Power connector
3. Grounding

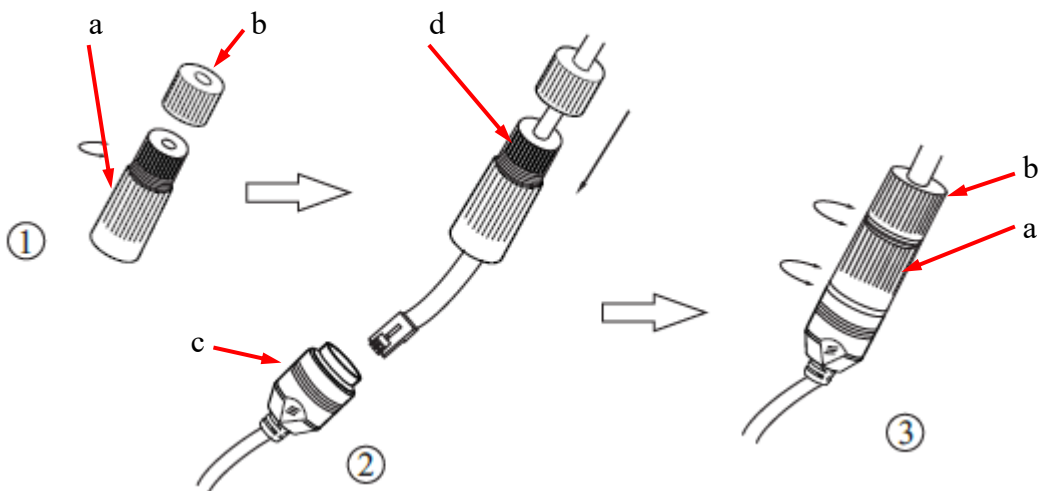


eng

2.2. Connecting ethernet cable

To maintain tightness of ethernet cable connection, please follow instruction below:

1. Unscrew the nut **(b)** from the connector cover **(a)**, put the sealing ring on the socket **(c)**
2. Route the network cable through parts **(a)** and **(b)**. Insert the RJ-45 plug into the socket **(c)**
3. Screw the connector cover **(a)** onto the socket **(c)**. Press the cable seal **(d)** into the upper part of the connector cover **(a)** as far as it will go - the seal has a cut enabling it to be put on the cable.
4. Tighten the nut **(b)** as far as it will go.



START-UP AND INITIAL CONFIGURATION

2.2. Power supply connection

The camera can be powered from a commercially available DC power supply, provided that it meets the technical requirements of the camera. The source must provide stabilized 12VDC voltage, must allow the consumption of at least 15W of power, and have a barrel DC 2.1/5.5 plug with the correct polarity of the contacts:



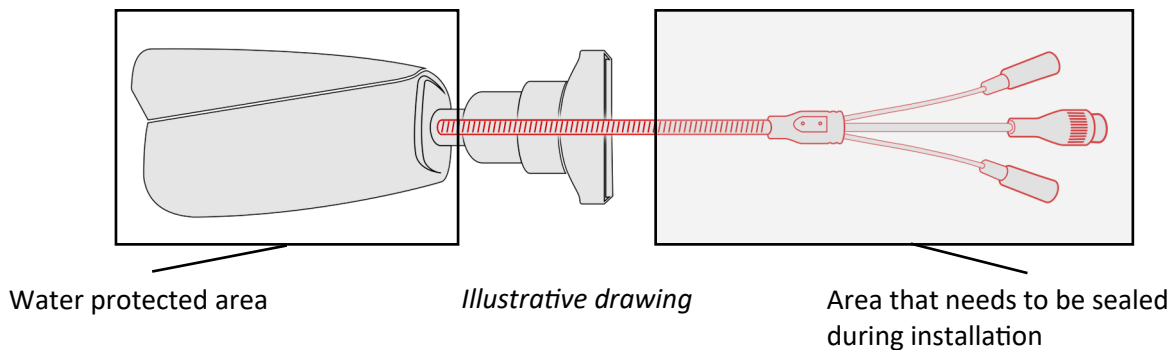
It is also possible to power the camera via the RJ45 network socket, using PoE technology (IEEE 802.3af, Class 3).

Caution!

Do not use power supplies and POE adapters that do not comply with the IEEE 802.3af standard, the so-called "passive POE" power supplies. Damage resulting from the use of an unsuitable adapter is not covered by the warranty!

2.3 Protection against water ingress

The declared degree of protection applies only to camera housing and the location where the connection cable enters the inside of the housing.



This means that the connection cable, including sockets, connectors, switches, buttons, and other elements on this cable, as well as other camera equipment/construction elements (such as hoods, brackets, supports, etc.), are not waterproof. It is the responsibility of the person installing the camera to protect the elements that require it (and in any case the connection cable) against moisture.

The manufacturer is not responsible for any damages or camera malfunctions resulting from failure to comply with the above obligation, which also means that they are not covered by the warranty repairs.

The RJ-45 socket cover included in the camera accessories (depending on the version/model) is not a water protection element. Its purpose is to protect against the ingress of dust and atmospheric moisture into the socket and prevent accidental disconnections by mechanically stabilizing the network plug in the RJ-45 socket.

START-UP AND INITIAL CONFIGURATION

2.5. Wall mounting of the camera

A. Preparation of the installation site:

1. Place the mounting template (or the foot of the wall mount) on the surface on which the camera is to be mounted and use it as a template to mark the drilling points.
2. Drill holes in the marked places, insert expansion plugs.
3. Drill a hole for the cables at the connection point (if necessary)
4. Screw the two screws into the upper holes until they protrude by about 12 mm

B. Preparing the camera:

1. Pass the cables through the wall bracket
2. Attach the bracket to the camera.
3. Fasten the safety cable to the ear in the holder.

C. Camera Installation:

1. Connect the electric wires
2. Hang the camera with the bracket on the two upper screws
3. Screw in the two lower screws until they stop
4. Tighten the top screws fully

Caution!

Pay particular attention to the surface to which is attached the camera to have the appropriate capacity.

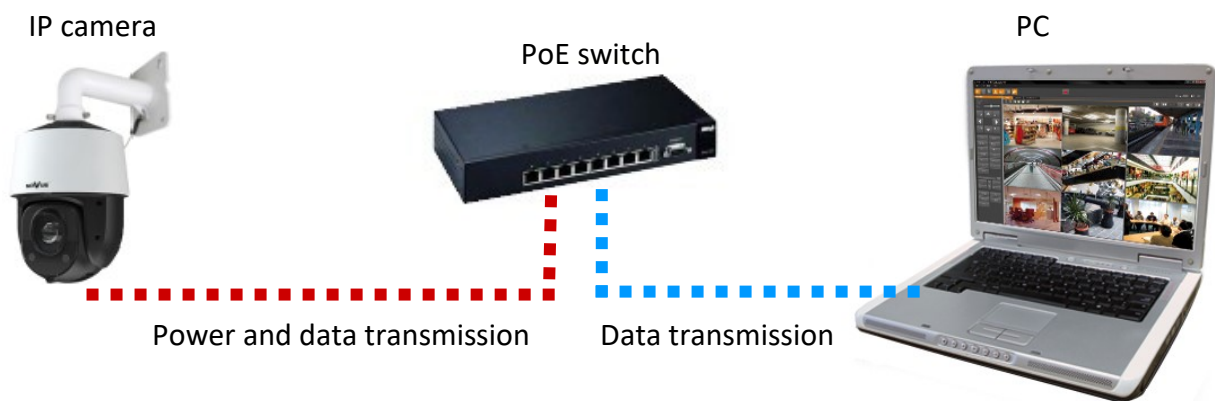
START-UP AND INITIAL CONFIGURATION

2.6. Starting the camera

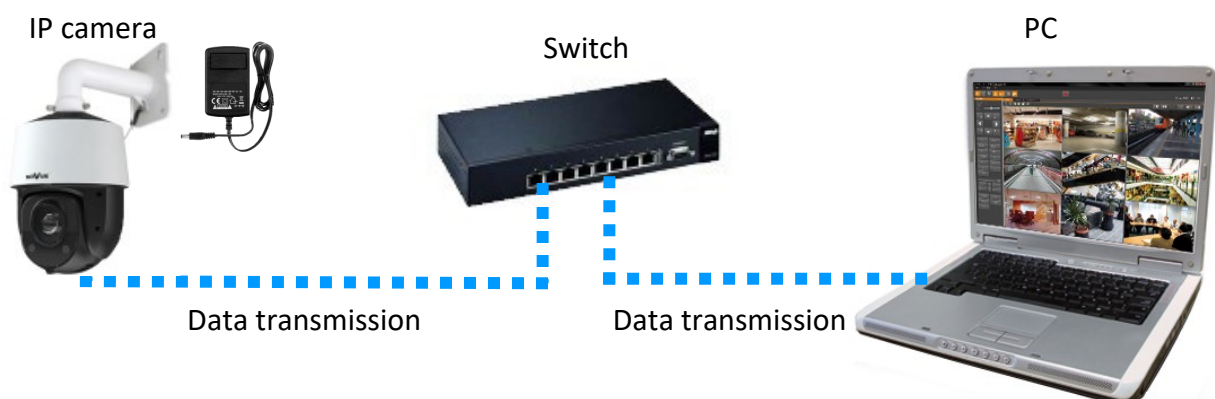
To start the camera, connect the Ethernet cable to the RJ45 network socket of the IP camera, and the other end to the network switch.

The recommended method of starting and configuring the camera is to connect it to a PC or laptop in a dedicated network switch to which there are no other devices connected. In the case of power supply from an external power supply, you can use any network switch, or connect the network cable directly to the computer. For network configuration data (IP address, gateway, netmask etc.), please contact the administrator of the network in which the device is to work.

- Connection using a PoE network switch

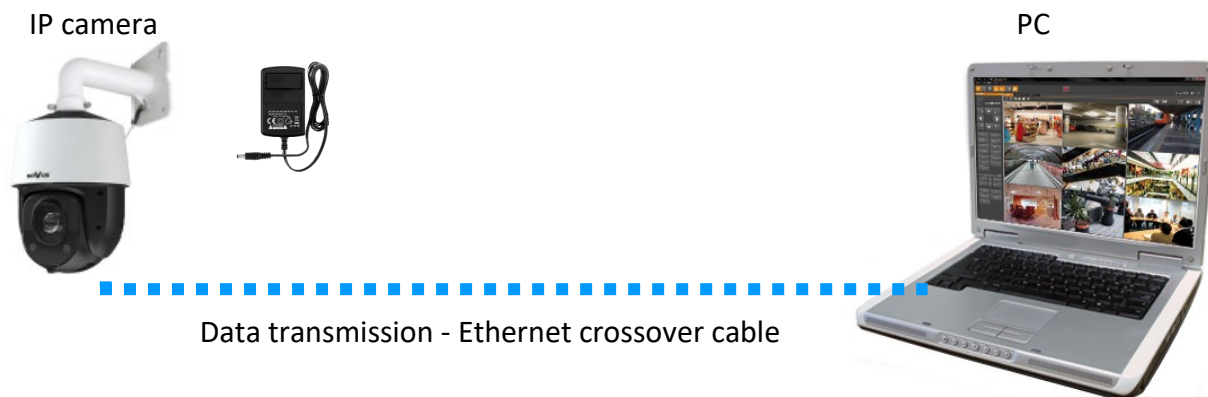


- Connection using an external AC adapter and non-PoE network switch



START-UP AND INITIAL CONFIGURATION

- Connection using the camera's external AC adapter and direct connection to a computer



eng

Caution!

In order to provide protection against voltage surges/lightning strikes, usage of appropriate surge protectors is advised. Any damages resulting from surges are not eligible for service repairs.

2.7. Initial configuration via the web browser

The default network settings for 6000 IP camera series are :

1. IP address= **192.168.1.200**
2. Network mask - **255.255.255.0**
3. Gateway - **192.168.1.1**
4. User name - **root**
5. Password - **pass**

Knowing the camera's IP address you need to appropriately set PC IP address, so the two devices can operate in one network subnet (e.g. for IP 192.168.1.1, appropriate address for the camera ranges from 192.168.1.2 to 192.168.1.254, for example 192.168.1.60). It is not allowed to set the same addresses for camera and PC computer

You can either set a network configuration (IP address, gateway, net mask, etc.) of NOVUS IP camera yourself or select DHCP mode (DHCP server is required in this method in target network) by using web browser or by NMS software. When you use DHCP server check IP address lease and its linking with camera MAC address to avoid changing or losing IP address during device operation or network/DHCP server breakdown. You have to remember to use a new camera IP address after changing network parameters.

After network setting configuration has been done, the camera can be connected to a target network.

START-UP AND INITIAL CONFIGURATION

2.8. Security recommendations for network architecture and configuration

Caution!

Below are shown security recommendations for network architecture and configuration of CCTV systems that are connected to the Internet to reduce the risk of unauthorized interference with the system by a third party.

1. Absolutely change the default passwords and user names (if the device gives this possibility) of all applied network devices (recorders, cameras, routers, network switches, etc.) to the severely complexity password. Use lowercase and uppercase letters, numbers, and special characters if there is such possibility.
2. Depending on the available functionality in the order to restrict access to the used network devices at the administrator account level, it is recommended to configure the users accounts accordingly.
3. Do not use DMZ function (Demilitarized zone) in your router. Using that function you open the access to recorder system from the Internet on all ports, which gives possibility for an unauthorized interference with the system.

Instead of DMZ use port forwarding redirect only the ports which are necessary for the performance of the connection (detailed information about ports of communication in different models of recorders, cameras, etc. can be found in the operating instructions).

4. Use routers with firewall function and make sure it is enabled and properly configured.
5. It is recommended to change the default network communication port numbers of used devices if there is such possibility.
6. If used network devices has a UPnP feature and it is not used, turn it off.
7. If used network devices has a P2P feature and it is not used, turn it off.
8. If used network devices support HTTPS protocol for connection, it is recommended to use it.
9. If used network devices support IP filtering for authorized connections function, it is recommended to use it.
10. If used recorder has two network interfaces it is recommended to use both of them to physically separate network for cameras and network for Internet connection. The only device in the system, accessible from Internet will be recorder - there will be no physically access directly to any camera.

NETWORK CONNECTION UTILIZING WEB BROWSER

3. NETWORK CONNECTION UTILIZING WEB BROWSER

3.1. Recommended PC specification for web browser connections

Requirements below apply to connection with an IP camera, assuming smooth image display in 1920 x 1028 resolution and 30 fps.

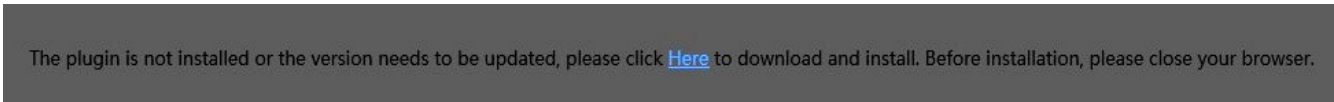
1. CPU Intel Core i3 3 GHz or better
2. RAM Memory min. 4 GB
3. Graphic card NVIDIA GeForce 512 MB or equivalent
4. OS Windows 10/11
5. Web browser installed
6. Network card 100/1000 Mb/s

eng

3.2. First connection to the camera via a web browser

Enter the IP address of the camera in the address bar of the web browser. After connecting, a window with a privacy statement will be displayed, which must be accepted by selecting the checkbox and pressing the "Read" button. Then the camera will display the activation window where the administrator password (and the password for the ONVIF account) must be defined. After completing these steps, a login screen will be displayed in which user must enter the name of the administrator account (**root** by default) and the set password. After logging in, a window with security questions will be displayed, allowing to regain access to the camera if user forget the administrator password, without having to reset the device.

If the browser asks for it, install the **NetAIIPCamera** plug-in, which is necessary for the proper operation of the camera menu. The lack of the correct add-on is indicated by the following message:



Click on the "Here" link to start downloading the add-on, then use your browser dialog to install it.



In the window, click the *Run* button, and then follow the instructions of the installer.

i To ensure proper operation of all camera functions, Internet Explorer should be run with administrator privileges.

i When using a browser that uses the HTML5 protocol (like Firefox, Chrome, Opera, Safari) there is no need to install any add-ons and after logging in, the image will be displayed in the live preview window.

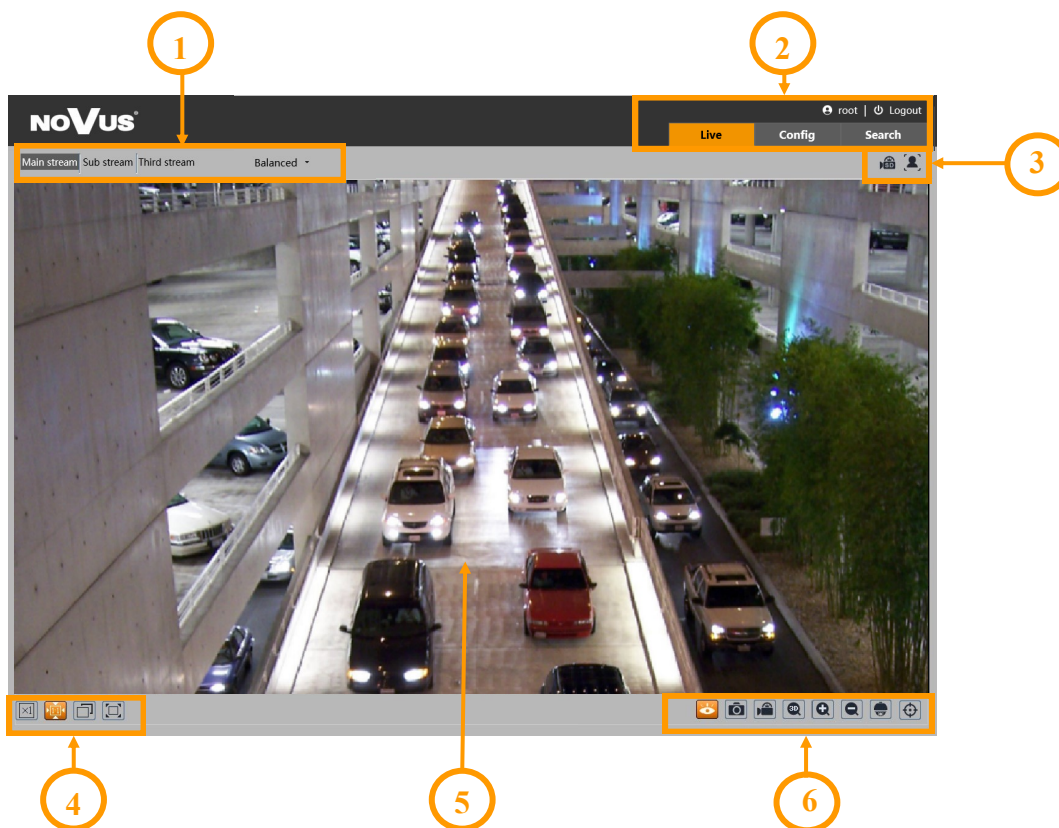
WEB INTERFACE - WORKING WITH THE CAMERA

4. WEB INTERFACE - WORKING WITH THE CAMERA

4.1. The remote preview interface



The view below shows the remote view window displayed in Internet Explorer with the "NetAIIPCamera" add-on installed. When connecting to the camera from browsers that use HTML5, some menu items and/or options may be unavailable or limited. This is not a defect, but results from the specificity of the HTML5 standard.



1. Selection of the stream to be displayed in the preview window and set the buffer size of the camera.
2. Camera operation mode selection and configuration buttons:
 - Live - enables the live stream preview
 - Config - displays the camera configuration panel
 - Search - displays the panel for searching and playing back recordings from the memory card
 - Logout - logs out of the camera
3. Alarm event icons display panel:



From left to right: memory card recording indicator, color change, image blur, scene change, leaving the area, entering the area, crossing the line, counting the line crossing, intrusion, face recognition, motion detection.

The occurrence of a given event is signalled with a flashing red color.

WEB INTERFACE - WORKING WITH THE CAMERA

4. Image adjusting buttons:



From left to right: original size, original aspect ratio, automatic window fit, full screen.

5. Live view window.

Double-clicking the left mouse button on the preview window turns the display of the image on and off in full screen.

6. Buttons for controlling camera functions:



From left to right: takes a photo, enables/disables recording, enables the 3D PTZ control, digital zoom buttons, enables/disables the PTZ panel, enables/disables the display of image analysis lines

7. PTZ panel functions

Controlling the movement of the PTZ dome

Lens control buttons, from the top:
zoom-, zoom+ focus-, focus+
iris-, iris+

Setting the speed of movement of the dome

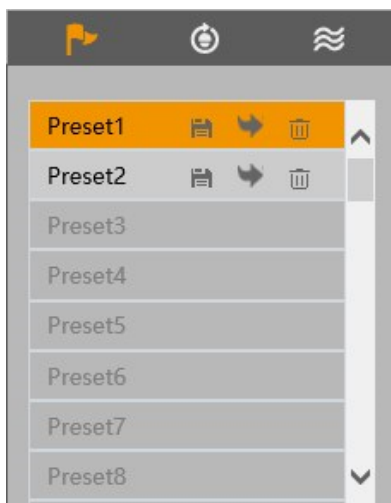
Camera functions control, from the left:
 - on/off scanning
 - on/off wiper (function inactive)
 - IR illuminator control: turns on, turns on automatic mode, turns off
 - enables 360 ° scanning
 - enables group scanning

Changing the type of the displayed list:
 - displays a list of presets
 - displays the list of cruises
 - displays a list of traces




List of presets, cruises or traces

WEB INTERFACE - WORKING WITH THE CAMERA

Preset list options:





All available presets are displayed in the preset list. Saved (occupied) presets are shown in bold. There are icons for each preset to manage:

-  - saves the current position of the camera PTZ dome as a preset. If there is already a preset stored in the selected position, it will be overwritten.
-  - calls up the selected preset
-  - removes the selected preset

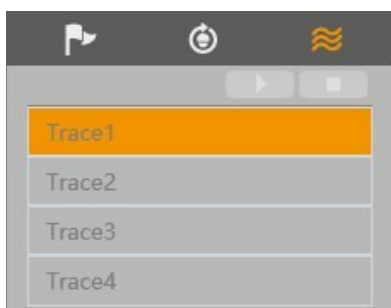
Cruise list options:





All available cruises are displayed in the cruise list. Saved (occupied) patrols are shown in bold. After selecting the selected cruise (if it is set), the control buttons will be activated:

-  - start cruise
-  - stop cruise

Trace list options:



All available traces are displayed in the trace list. The saved (occupied) traces are shown in bold. After marking the selected trace (if it is set), the control buttons will be activated:

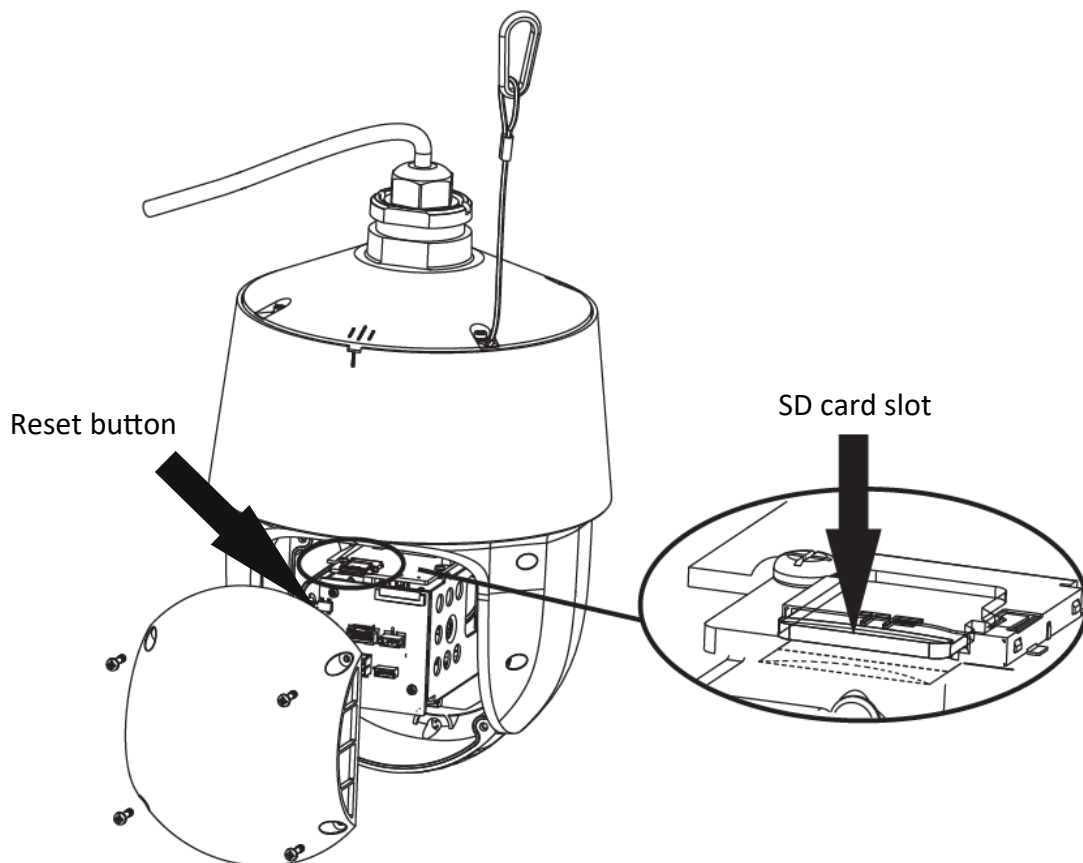
-  - start trace
-  - stop trace

SD CARD INSTALLATION

5. SD CARD INSTALLATION

The camera supports micro SD/SDHC cards up to 256 GB. In order to install the card:

- Turn off the power of the camera
- Remove the cover covering the back of the PTZ dome
- Install the SD card in the appropriate slot (indicated by the arrow in the figure below)
- Attach the cover paying attention to the correct position of the gasket
- Turn on the camera
- Check if the card is installed correctly by verifying its size in the tab "Settings -> System -> SD card".



eng

RESTORING FACTORY DEFAULTS

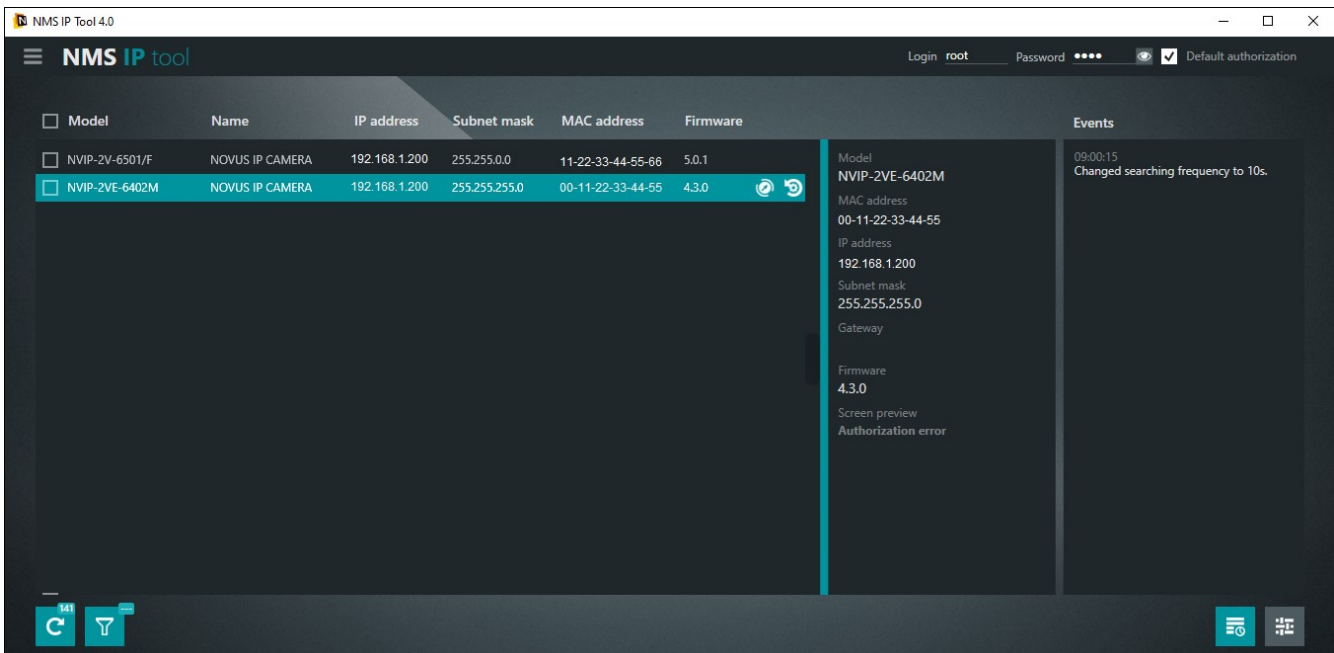
6. RESTORING FACTORY DEFAULTS

6.1. Software factory reset

Resetting the camera to factory settings restores the camera settings to the factory settings. If you check the selected "Keep" option, you can keep the network settings, security configuration or image configuration unchanged. The option to restore factory settings is in the tab "Config -> Maintenance -> Backup and Restore".

6.2. Software factory reset using the NMSiptool

Using NMSiptool, the user can restore factory settings. This is done by selecting a camera from the list, clicking on the factory reset icon and confirming it in the dialog box. Then, within 30 seconds of confirming, power off and reconnect the camera.



6.3. Hardware factory reset

In order to restore factory settings of the camera by hardware, please follow the instructions:

- Remove the cover covering the back of the PTZ dome
- Press the RESET button (indicated by the arrow in the figure on the previous page) for about 10 seconds
- Release the button
- Wait for the camera to start up (it will finish positioning the dome) - it takes about 2 minutes
- Attach the cover paying attention to the correct position of the gasket
- Log in again using the default IP address, username and password

SPECIAL PRESETS**7. SPECIAL PRESETS**

The camera has a group of special presets that are not used to memorize the position of the PTZ dome, but their task is to perform specific actions. The table below describes the functions of these presets:

Preset number	Action	Performed task
89	-	startup preset for the tracking function (saved automatically)
90	call	starts track no. 1
91	call	starts cruise no. 1
92	call	starts cruise no. 2
	save	saves the left scan endpoint
93	call	starts cruise no. 3
	save	saves the right scan endpoint
94	call	starts cruise no. 4
95	call	displays the camera menu. This is a text-based menu with camera configuration options (image options, OSD, password etc) and PTZ control. You can navigate through the menu, change settings and save changes using the PTZ control buttons.
96	-	not active
97	call	starts a 360° scan
98	-	not active
99	call	starts a scan
100 - 109	-	not active

eng

OBJECT TRACKING

9. CONFIGURATION OF OBJECT TRACKING OPTIONS

One possible reaction of the camera to an intelligent image analysis event is object tracking. This allows for the observation of the object's route and identification of its features, as well as for distinguishing the type of object (four-wheeled vehicle, two-wheeler, person). During tracking, the camera remembers the features of the tracked object and the appearance of another object in the field of view, even of the same type, does not distract it.

The tracking option is available for line crossing detection, region entrance and exiting and intrusion detection. The configuration of tracking is carried out in several stages and will be described on the basis of the settings for intrusion detection.

The main trace configuration options are in the "Settings -> Alarm -> Smart Tracking" menu.

Config	
Tracking Mode	Manual PTZ Control Pr ▼ <small>Tips : Selecting Auto Tracking Priority when tracking is enabled, disables manual PTZ controls.</small>
Auto homing	<input type="checkbox"/> <input type="radio"/> <input type="text" value="3"/> (s)
Homing after object stop	<input type="checkbox"/> <input type="radio"/> <input type="text" value="0"/> (s)
Homing after PTZ end	<input type="checkbox"/> <input type="radio"/> <input type="text" value="3"/> (s)

The "Tracking Mode" selection list allows you to decide which tasks will be prioritized for the cameras when tracking is enabled.

When selecting "Manual PTZ Control Priority" (the default option), the priority will be to be able to manually control the PTZ by the operator. In this mode, the camera will follow (or wait for the object to appear), but when the operator presses one of the PTZ control buttons, the camera will immediately stop the tracking action in progress and will move the PTZ dome according to the operator's instructions. After the operator finishes PTZ control, the camera will return to the tracking start position after a specified time and wait for the object to appear.

There are three settings available for this option: "Auto homing" (default - no limit) - this is the time the camera tracks an object remaining in its field of view. After this time has elapsed, the camera abandons tracking and returns to the starting position. In the event that the tracking time has not yet expired, but the tracked object has hidden behind an obstacle, the camera will immediately return to the starting position. When checked, you can set the tracking time from 3 to 20 seconds. "Homing after object stop" (default - immediately) - this is the time after which the camera returns to the start position if the tracked object has stopped in the field of view of the camera. When enabled, this time can be set from 0 to 100 seconds. "Homing after PTZ end" (default - 3 seconds) - this is the time after which the camera returns to the home position, after the operator finishes controlling PTZ. When enabled, this time can be set in the range of 3 to 20 seconds.

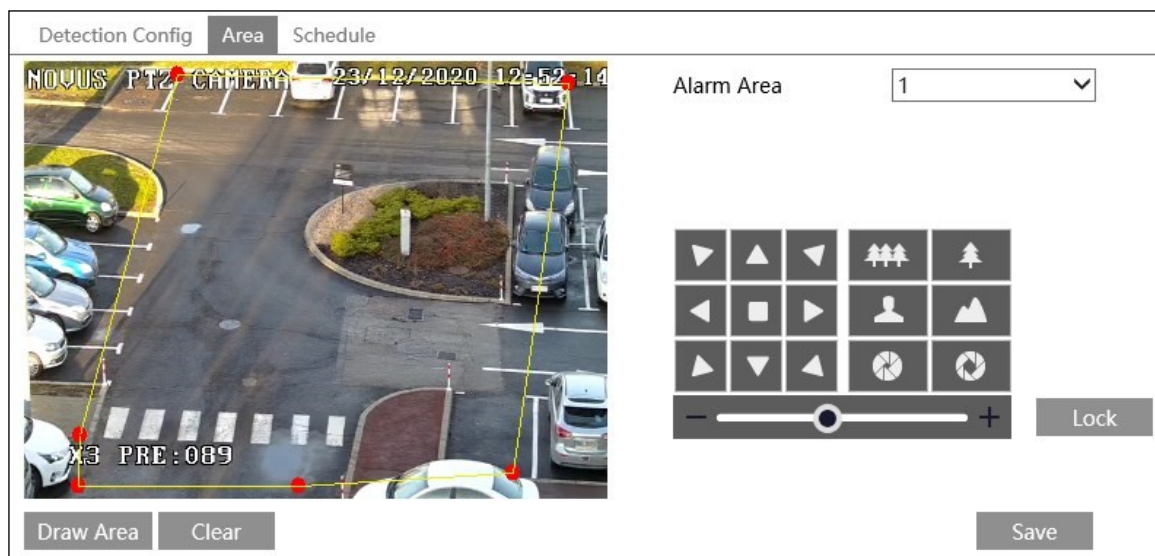
When selecting "PTZ Auto Tracking Priority" from the "Tracking mode" selection list, object tracking will be the priority for the camera. In this mode, the camera only performs tracking tasks and ignores operator PTZ commands. To enable PTZ control, switch to the "Manual PTZ control Priority" option, or use the "Unblock" button (description later in the manual).

There are two settings for this option, "Auto homing" and "Homing after object stop".

OBJECT TRACKING

After configuring the tracking settings option, further settings are made in the image analysis function menu, in this example the intrusion detection menu.

In the "Detection Config" tab, enable the function and configure the required options, **but do not yet enable the "Trigger Track" option**. Then go to the "Area" tab where, using the PTZ control buttons, set the appropriate field of view, and then, in the preview window, define the detection area and save the changes.



eng

After completing the above steps, press the "Lock" button. Pressing this button saves the current PTZ position as the start position for tracking (the start position for tracking is saved as special preset number 89). Then go back to the "Detection Config" tab, enable the "Trigger Track" option and save the changes. From this moment on, the camera starts tracking objects in the detection area.

The "Lock" button changes its function to "Unlock" when pressed. Unlocking tracking is needed in two cases:

- when the "PTZ Auto Tracking Priority" option is selected in the "Settings -> Alarm -> Smart Tracking" menu (when manual PTZ control is disabled), pressing the "Unlock" button enables manual PTZ control.
- when we want to change the area of observation

i Pressing the "Unlock" button suspends object tracking until you press the "Lock" button.

i Please note that each press of the "Lock" button, saves the current position of the PTZ dome as a new start position for tracking.

noVus[®]

AAT SYSTEMY BEZPIECZEŃSTWA Sp. z o.o.

431 Pulawska St., 02-801 Warsaw, Poland

tel.: +4822 546 0 546, kontakt@aat.pl

www.novuscctv.com

Skrócona instrukcja obsługi



NVIP-2SD-6540/15

NOVUS[®]

UWAGI I OSTRZEŻENIA

PRODUKT SPEŁNIA WYMAGANIA ZAWARTE W DYREKTYWACH:



DYREKTYWA PARLAMENTU EUROPEJSKIEGO I RADY 2014/30/UE z dnia 26 lutego 2014 r. w sprawie harmonizacji ustawodawstw państw członkowskich odnoszących się do kompatybilności elektromagnetycznej (Dz.U. L 096 z 29.3.2014, s. 79-106, z późniejszymi zmianami) – zwana Dyrektywą EMC.



DYREKTYWA PARLAMENTU EUROPEJSKIEGO I RADY 2012/19/UE z dnia 4 lipca 2012 r. w sprawie zużytego sprzętu elektrycznego i elektronicznego WEEE (Dz.U. L 96 z 29.3.2014, str. 79-106, z późniejszymi zmianami) – zwana Dyrektywą WEEE.



DYREKTYWA PARLAMENTU EUROPEJSKIEGO I RADY 2011/65/UE z dnia 8 czerwca 2011 r. w sprawie ograniczenia stosowania niektórych niebezpiecznych substancji w sprzęcie elektrycznym i elektronicznym (Dz.U. L 174 z 1.7.2011, str. 88-110, z późniejszymi zmianami) - zwana Dyrektywą RoHS.

DYREKTYWA DELEGOWANA KOMISJI (UE) 2015/863 z dnia 31 marca 2015 r. zmieniająca załącznik II do dyrektywy Parlamentu Europejskiego i Rady 011/65/UE w odniesieniu do wykazu substancji objętych ograniczeniem (Dz. U. z 3 stycznia 2017).

DYREKTYWA PARLAMENTU EUROPEJSKIEGO I RADY (UE) 2017/2102 z dnia 15 listopada 2017 r. zmieniająca dyrektywę 2011/65/UE w sprawie ograniczenia stosowania niektórych niebezpiecznych substancji w sprzęcie elektrycznym i elektronicznym (Dz. U. z 10 lipca 2019).

Wyłączenie odpowiedzialności w przypadku uszkodzenia danych zawartych na dyskach lub innych urządzeniach lub nośnikach:

Producent nie ponosi odpowiedzialności w razie uszkodzenia lub utraty w trakcie eksploatacji Produktu danych zawartych na dyskach lub innych urządzeniach lub nośnikach.

Obowiązek konsultowania się z Producentem przed wykonaniem czynności nieprzewidzianej instrukcją obsługi albo innymi dokumentami:

Przed wykonaniem czynności, która nie jest przewidziana dla danego Produktu w instrukcji obsługi, innych dokumentach dołączonych do Produktu lub nie wynika ze zwykłego przeznaczenia Produktu, należy, pod rygorem wyłączenia odpowiedzialności Producenta za następstwa takiej czynności, skontaktować się z Producentem.



Zamieszczone w niniejszej publikacji zdjęcia przedstawiające obrazy z kamer mogą być symulacjami. Rzeczywiste obrazy z kamer mogą się różnić, w zależności od typu, modelu, ustawień, obszaru obserwacji lub warunków zewnętrznych.

WARUNKI BEZPIECZEŃSTWA



Przed rozpoczęciem użytkowania urządzenia, należy zapoznać się z instrukcją obsługi w celu zapewnienia właściwej i bezpiecznej pracy urządzenia. Nieprzestrzeganie instrukcji może prowadzić do uszkodzenia urządzenia i/lub naruszenia bezpieczeństwa użytkownika.



Użytkownik nie może dokonywać samodzielnych napraw urządzenia. Naprawy i konserwację urządzenia mogą być wykonywane wyłącznie przez wykwalifikowanych pracowników serwisu.



Urządzenie będące elementem profesjonalnego systemu telewizji dozorowej służącego do nadzoru i kontroli, nie jest przeznaczone do samodzielnego montażu w gospodarstwach domowych, przez osoby nie posiadające specjalistycznej wiedzy.

1. Przed zainstalowaniem i rozpoczęciem eksploatacji należy dokładnie zapoznać się z niniejszą instrukcją obsługi;
2. Instrukcję należy przechowywać przez czas eksploatacji urządzenia na wypadek konieczności odniesienia się do zawartych w niej treści;
3. Należy przestrzegać wymogów bezpieczeństwa opisanych w instrukcji, gdyż mają one bezpośredni wpływ na bezpieczeństwo użytkowników i trwałość oraz niezawodność urządzenia;
4. Wszystkie czynności wykonywane przez instalatorów i użytkowników muszą być realizowane zgodnie z opisem zawartym w instrukcji;
5. Podczas przeprowadzania czynności konserwatorskich urządzenie musi być odłączone od zasilania;
6. Nie wolno stosować żadnych dodatkowych urządzeń, podzespołów lub akcesoriów nie przewidzianych i nie zalecanych przez producenta;
7. Nie należy instalować tego urządzenia w miejscach, gdzie nie można zapewnić właściwej wentylacji (np. zamknięte szafki, itp.), gdyż może to powodować kumulowanie się ciepła i w konsekwencji może doprowadzić do uszkodzenia;
8. Nie wolno umieszczać urządzenia na niestabilnych powierzchniach. Instalacja musi być przeprowadzona przez wykwalifikowany personel o odpowiednich uprawnieniach według zaleceń podanych w niniejszej instrukcji;
9. Urządzenie może być zasilane jedynie ze źródeł o parametrach zgodnych ze wskazanymi przez producenta w danych technicznych;



Ponieważ produkt jest stale ulepszany i optymalizowany, niektóre jego parametry i funkcje mogły ulec zmianie w stosunku do opisanych w niniejszej instrukcji. W razie wątpliwości prosimy o zapoznanie się z instrukcją obsługi znajdującą się na stronie www.novuscctv.com

Instrukcja obsługi znajdującą się na stronie www.novuscctv.com jest zawsze najbardziej aktualną wersją.

SPIS TREŚCI

SPIS TREŚCI

1. INFORMACJE WSTĘPNE	5
1.1. Charakterystyka ogólna.....	5
1.2. Dane techniczne	6
1.3. Wymiary kamery	8
1.4. Zawartość opakowania.....	8
2. URUCHAMIANIE I WSTĘPNA KONFIGURACJA	9
2.1. Opis złącz elektrycznych	9
2.2. Podłączenie kabla sieciowego	9
2.3. Podłączenie zasilania	10
2.4. Zabezpieczenie przed wnikaniem wody	10
2.5. Naścienny montaż kamery	11
2.6. Uruchomienie kamery	12
2.7. Konfiguracja parametrów przy użyciu przeglądarki internetowej.....	13
2.8. Zalecenia dotyczące bezpieczeństwa sieci.....	14
3. POŁĄCZENIA SIECIOWE ZA POMOCĄ PRZEGLĄDARKI WWW	15
3.1. Zalecana konfiguracja komputera PC do połączeń przez przeglądarkę WWW	15
3.2. Pierwsze połączenie z kamerą za pomocą przeglądarki WWW	15
4. INTERFEJS WWW - PRACA Z KAMERĄ	16
4.1. Widok zdalnego podglądu	16
5. INSTALACJA KARTY SD	19
6. PRZYWRACANIE USTAWIEŃ FABRYCZNYCH KAMERY	20
6.1. Programowe przywracanie ustawień fabrycznych.....	20
6.2. Programowe przywracanie ustawień fabrycznych kamery IP (NMSiptool)	20
6.3. Sprzętowe przywracanie ustawień fabrycznych	20
7. PRESETY SPECJALNE	21
8. KONFIGURACJA ŚLEDZENIA OBIEKTÓW	22

INFORMACJE WSTĘPNE

1. INFORMACJE WSTĘPNE

1.1. Charakterystyka ogólna

- Rozdzielczość przetwornika: 2 megapiksele
- Mechaniczny filtr podczerwieni (możliwość pracy w podczerwieni)
- Czułość od 0,00025 lx/F1.6 (0 lx przy włączonym oświetlaczu IR)
- Szeroki zakres dynamiki (WDR)
- Wydłużony czas ekspozycji (DSS)
- Cyfrowa redukcja szumu (DNR)
- Funkcja Defog (F-DNR)
- Redukcja efektu oślepienia kamery (HLC)
- Kompensacja tylnego światła (BLC)
- Typ obiektywu: motor-zoom z automatyczną przysłoną i ostrością, f=5 ~ 75 mm/F1.6 ~ F2.8
- Zoom optyczny: 15x
- Wbudowany oświetlacz podczerwieni
- 8 patroli (16 presetów na patrol)
- 4 trasy obserwacji (do 180 sekund każda)
- 2 tryby skanowania
- 360 presetów
- Auto-flip - automatyczny obrót kamery o 180°
- Możliwość sterowania zoomem, uchylem i obrotem bezpośrednio przez stronę WWW oraz z programu NOVUS MANAGEMENT SYSTEM VSS
- Detekcja ruchu
- Kompresja wideo: H.264, H.264+, H.265, H.265+, MJPEG
- Maksymalna rozdzielczość przetwarzania wideo: 1920 x 1080
- Praca w trybie trójstrumieniowym: możliwość definiowania kompresji, rozdzielczości, prędkości i jakości dla każdego strumienia
- Analiza obrazu w oparciu o Deep Learning
- Możliwość śledzenia rozpoznanych obiektów
- Funkcje przed-alarmu i po-alarmu
- Wbudowany web serwer – możliwość podglądu i konfiguracji ustawień kamery przez stronę www
- Obsługa kart pamięci micro SD o pojemności do 256 GB
- Możliwość szerokiego definiowania reakcji systemu na zdarzenia alarmowe
- Klasa szczelności: IP 66
- Zasilanie 12 VDC, PoE (IEEE 802.3af, Klasa 3)

INFORMACJE WSTĘPNE

1.2. Dane techniczne

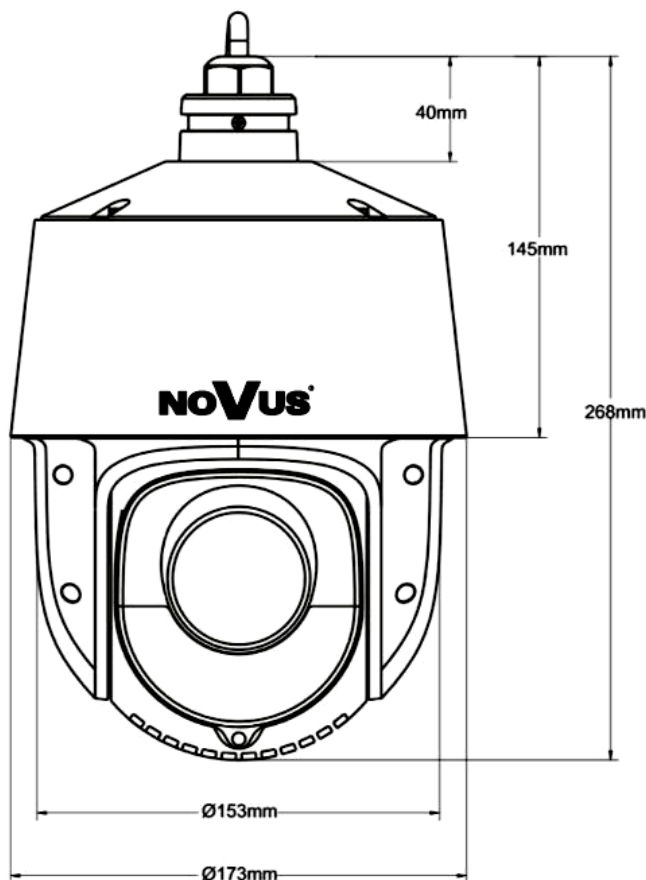
OBRAZ	
Przetwornik obrazu	2 MPX, matryca CMOS, 1/2.8", SmartSens
Liczba efektywnych pikseli	1920 (H) x 1080 (V)
Czułość	0.00125 lx/F1.6 - tryb kolorowy, 0.00025 lx/F1.6 - tryb czarno-biały, 0 lx (IR wł.) - tryb czarno-biały
Elektroniczna migawka	automatyczna: 1 s ~ 1/100000 s
Wydłużona migawka (DSS)	do 1 s
Szeroki zakres dynamiki (WDR)	tak (podwójne skanowanie przetwornika), 128dB
Cyfrowa redukcja szumu (DNR)	2D, 3D
Redukcja efektu oślepienia kamery (HLC)	tak
Kompensacja tylnego światła (BLC)	tak
Redukcja migotania obrazu (Antiflicker)	tak
OBIEKTYW	
Zoom optyczny	15x
Typ obiektywu	motor-zoom z automatyczną przysłoną, f=5 ~ 75 mm/F1.6 ~ F2.8
Auto-focus	po zmianie krotności zoomu, przy przełączaniu pomiędzy trybami dzień/noc, wyzwalany ręcznie
DZIEŃ/NOC	
Rodzaj przełączania	mechaniczny filtr podczerwieni
Tryb przełączania	automatyczny, manualny, czasowy
Regulacja poziomu przełączania	tak
Harmonogram przełączania	tak
Czujnik światła widzialnego	tak
SIEĆ	
Rozdzielczość strumienia wideo	1920 x 1080 (Full HD), 1280 x 720 (HD), 704 x 576, 640 x 480 (VGA), 480 x 240, 352 x 288 (CIF)
Prędkość przetwarzania	30 kl/s dla wszystkich rozdzielczości
Tryb wielostrumieniowy	3 strumienie
Kompresja wideo/audio	H.264, H.264+, H.265, H.265+, MJPEG / -
Liczba jednoczesnych połączeń	maks. 10
Przepustowość	łącznie 40 Mb/s
Obsługiwane protokoły sieciowe	HTTP, TCP/IP, IPv4/v6, UDP, HTTPS, FTP, DHCP, DNS, DDNS, NTP, RTSP, RTP, UPnP, SNMP, QoS, IEEE 802.1X, PPPoE, SMTP, RTCP, HTML5
Wsparcie protokołu ONVIF	Profile S/G/T
Konfiguracja kamery	z poziomu przeglądarki Internet Explorer, Firefox, Chrome, Opera, Edge języki: polski, angielski, i inne
Kompatybilne oprogramowanie	NOVUS MANAGEMENT SYSTEM VSS, NOVUS MANAGEMENT SYSTEM AC, N Control 6000
Aplikacje mobilne	SuperLive Plus (iPhone, Android)

INFORMACJE WSTĘPNE

PTZ	
Presety	360 w tym 21 presety specjalne (funkcyjne)
Patrole	8 (do 16 presetów na patrol)
Trasy obserwacji	4 (maks. 180 s dla jednej trasy)
Zakres obrotu w pionie/poziomie	-10° ~ 90°/360° (obrót ciągły)
Prędkość obrotu w pionie/poziomie	do 80°/s (proporcjonalna do zoom'u)
Prędkość pomiędzy presetami	do 80°/s
POZOSTAŁE FUNKCJE	
Strefy prywatności	4 typu kolor
Detekcja ruchu	tak
Analiza obrazu	sabotaż, przekroczenie linii, wkroczenie do strefy, wyjście ze strefy, zmiana sceny, utrata ostrości, zmiana kolorystyki, rozróżnianie obiektów, śledzenie obiektów, wtargnięcie
Obróbka obrazu	przerzucenie obrazu w pionie, przerzucenie obrazu w poziomie
Prealarm/postalarm	do 6 s/do 120 s
Reakcja na zdarzenia alarmowe	e-mail z załącznikiem, zapis na FTP, zapis na kartę SD, śledzenie obiektu
Przywracanie ustawień fabrycznych	z poziomu przeglądarki internetowej, za pomocą przycisku reset, za pomocą oprogramowania NMS IPTool
OŚWIETLACZ IR	
Liczba LED	6
Zasięg	do 200 m (zależny od aktualnej wartości zoomu optycznego)
Smart IR	tak (wsparcie sprzętowe)
INTERFEJSY	
Interfejs sieciowy	1 x Ethernet - złącze RJ-45, 10/100 Mbit/s
Gniazdo kart pamięci	microSD - pojemność do 256GB
PARAMETRY INSTALACYJNE	
Wymiary (mm)	173 (Φ) x 268 (wys.) z uchwytem: 173 (szer.) x 415 (wys.) x 300 (dł.)
Masa	2.1 kg z uchwytem: 2.8 kg
Klasa szczelności	IP 66 (szczegóły w instrukcji obsługi)
Obudowa	aluminiowa, w kolorze białym, stopień ochrony IK10, w zestawie: obudowa zewnętrzna (zintegrowana z kamerą), uchwyt ścienny
Zasilanie	12 VDC, PoE (IEEE 802.3af, Klasa 3)
Zabezpieczenia przeciwprzepięciowe	TVS 6000 V
Pobór mocy	8 W, 12 W (oświetlacz IR wł.)
Temperatura pracy	-30°C ~ 65°C
Wilgotność	maksymalnie 90%, względna (bez kondensacji)

INFORMACJE WSTĘPNE

1.3. Wymiary kamery



1.4. Zawartość opakowania

Po otwarciu należy upewnić się czy w opakowaniu znajdują się następujące elementy:

- Kamera IP
- Uchwyt ścienny
- Torebka z akcesoriami montażowymi
- Skrócona instrukcja obsługi.

Jeżeli którykolwiek z elementów został uszkodzony w transporcie, należy spakować zawartość z powrotem do oryginalnego opakowania i skontaktować się z dostawcą.

Uwaga:

Jeżeli urządzenie przyniesione zostało z pomieszczenia o niższej temperaturze należy odczekać aż osiągnie temperaturę pomieszczenia, w którym ma pracować. Nie wolno włączać urządzenia bezpośrednio po przyniesieniu z chłodniejszego miejsca. Kondensacja zawartej w powietrzu pary wodnej może spowodować zwarcia i w konsekwencji uszkodzenie urządzenia.

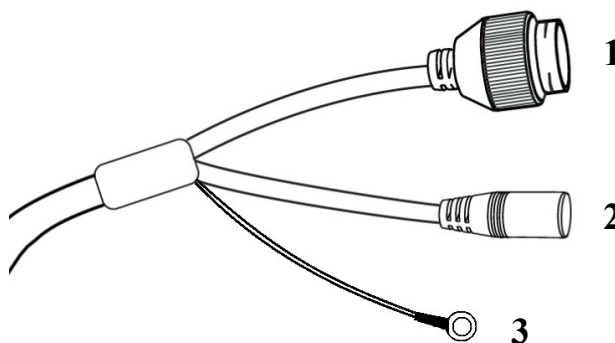
URUCHAMIANIE I WSTĘPNA KONFIGURACJA

2. URUCHAMIANIE I WSTĘPNA KONFIGURACJA

Przed uruchomieniem urządzenia należy zapoznać się z opisem i rolą poszczególnych wejść, wyjść oraz elementów regulacyjnych, w które wyposażone są kamery.

2.1. Opis złączy elektrycznych kamery

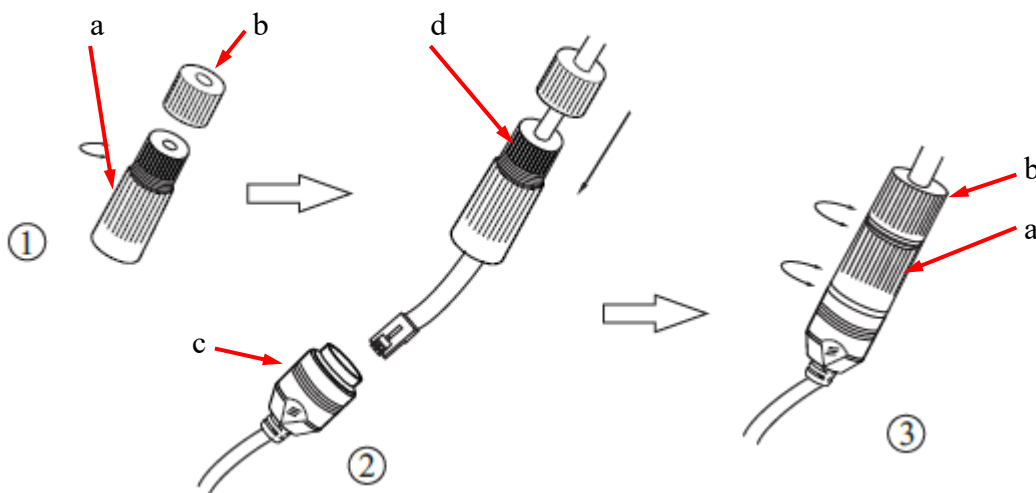
1. Port Ethernet 100 Mb/s (zasilanie PoE)
2. Złącze zasilania kamery 12VDC
3. Uziemienie



2.2. Podłączenie kabla sieciowego

Instalacja osłony przeciwpyłowej gniazda RJ45:

1. Odkręcić nakrętkę **(b)** od osłony złącza **(a)**, założyć pierścień uszczelniający na gniazdo **(c)**,
2. Poprowadzić kabel sieciowy przez elementy **(a)** i **(b)**. Włożyć wtyczkę RJ-45 do gniazda **(c)**,
3. Nakręcić osłonę złącza **(a)** na gniazdo **(c)**. W górną część osłony złącza **(a)** wcisnąć do oporu uszczelkę kabla **(d)** - uszczelka ma przecięcie umożliwiające założenie na przewód,
4. Dokręcić do oporu nakrętkę **(b)**.



URUCHAMIANIE I WSTĘPNA KONFIGURACJA

2.3. Podłączenie zasilania

Kamerę można zasilić z dostępnego na rynku zasilacza prądu stałego, pod warunkiem spełnienia przez niego wymogów technicznych kamery. Zasilacz musi dostarczać stabilizowanego napięcia stałego o wartości 12V, musi pozwalać na pobór co najmniej 15W mocy, oraz posiadać wtyk zasilający walcowy DC 2.5/5.5 o właściwej polaryzacji styków:



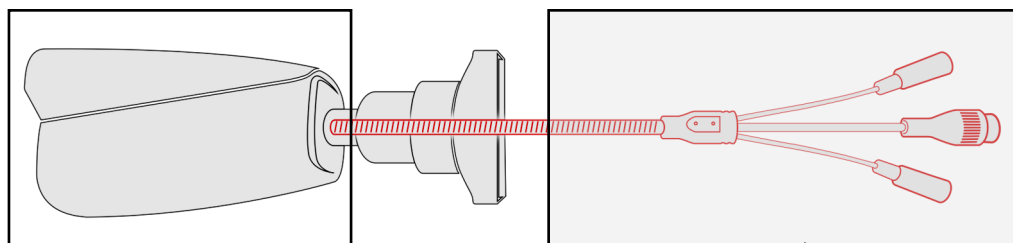
Możliwe jest także zasilanie kamery przez gniazdo sieciowe RJ45, przy wykorzystaniu technologii PoE (IEEE 802.3af, Klasa 3).

Uwaga!

Zabronione jest stosowanie jako źródło zasilania kamery urządzeń (zasilacze, adaptory itp.) PoE niezgodnych ze standardem IEEE 802.3at, potocznie nazywanych „pasywne zasilacze PoE”. Uszkodzenia wynikłe ze stosowania nieodpowiednich źródeł zasilania nie podlegają gwarancji.

2.4 Zabezpieczenie przed wnikaniem wody

Deklarowana klasa szczelności kamery dotyczy wyłącznie jej obudowy oraz miejsca, w którym kabel połączeniowy wchodzi do wnętrza obudowy.



Obszar zabezpieczony przed dostępem wody

Rysunek poglądowy

Obszar wymagający uszczelnienia podczas instalacji

Oznacza to, że kabel połączeniowy łącznie z gniazdami, złączami, przełącznikami, przyciskami i innymi elementami na tym kablu, a także inne elementy wyposażenia/konstrukcji kamery (jak daszki, uchwyty, wsporniki itp.) nie są wodoszczelne. Zabezpieczenie elementów które tego wymagają (a w każdym wypadku kabla połączeniowego) przed dostępem wilgoci jest obowiązkiem osoby instalującej kamerę.

Producent nie ponosi odpowiedzialności za wszelkie szkody, uszkodzenia kamery powstałe w skutek niedopełnienia w/w obowiązku co jednocześnie oznacza, iż nie podlegają one naprawom gwarancyjnym.

Znajdująca się w akcesoriach kamery (w zależności od wersji/modelu) osłona gniazda RJ-45 nie jest elementem zabezpieczającym przed wnikaniem wody. Zadaniem tego elementu jest ochrona przed wnikaniem do gniazda pyłów i wilgoci atmosferycznej oraz zapobieganie przypadkowym rozłączeniom przez mechaniczne stabilizowanie wtyku sieciowego w gnieździe RJ-45.

URUCHAMIANIE I WSTĘPNA KONFIGURACJA

2.5. Naścienny montaż kamery

A. Przygotowanie miejsca montażu:

1. Przyłożyć szablon montażowy (lub stopę uchwyty ściennego) do powierzchni na której ma zostać zamocowana kamera i używając go jako wzornika zaznaczyć punkty wiercenia.
2. Wywiercić w zaznaczonych miejscach otwory, włożyć kołki rozporowe.
3. Wywiercić otwór pod przewody w miejscu podłączenia (w miarę potrzeby).
4. Wkręcić dwa wkręty w górne otwory tak, by wystawały na około 12 mm.

B. Przygotowanie kamery:

1. Przeciągnąć przewody przez uchwyt ścienny.
2. Zamocować uchwyt do kamery.
3. Zapiąć linkę zabezpieczającą do ucha w uchwycie.

C. Montaż kamery:

1. Podłączyć przewody elektryczne.
2. Zawiesić kamerę wraz z uchwytem na dwóch górnych wkrętach.
3. Wkręcić dwa dolne wkręty do oporu.
4. Dokręcić do oporu górne wkręty.

Uwaga!

Należy zwrócić szczególną uwagę, aby powierzchnia do której mocowana jest kamera miała odpowiednią nośność.

URUCHAMIANIE I WSTĘPNA KONFIGURACJA

2.6. Uruchomienie kamery

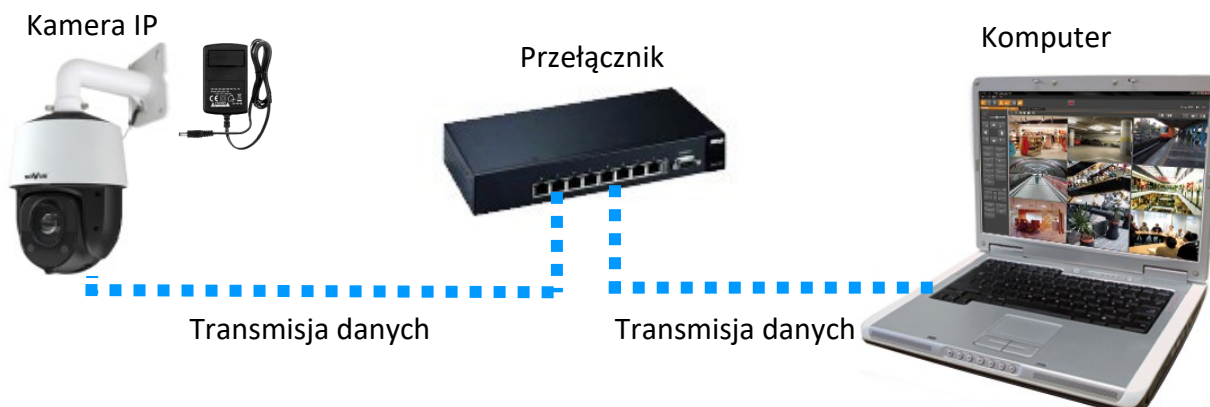
W celu uruchomienia kamery należy podłączyć kabel ethernetowy do gniazda sieciowego RJ45 kamery IP, a drugi koniec do przełącznika sieciowego.

Zalecaną metodą uruchomienia i konfiguracji kamery jest połączenie jej do komputera PC lub laptopa w wydzielonym przełączniku sieciowym, do którego nie ma podłączonych innych urządzeń. W przypadku zasilania z zewnętrznego zasilacza można zastosować dowolny przełącznik sieciowy, lub podłączyć kabel sieciowy bezpośrednio do komputera. W celu uzyskania danych potrzebnych do konfiguracji sieci (adres IP, brama, maska sieci itd.) należy skontaktować się z administratorem sieci, w której urządzenie ma pracować.

- Połączenie wykorzystujące przełącznik sieciowy PoE



- Połączenie wykorzystujące zewnętrzny zasilacz sieciowy i przełącznik sieciowy bez funkcji PoE



URUCHAMIANIE I WSTĘPNA KONFIGURACJA

- Połączenie z użyciem zewnętrznego zasilacza sieciowego kamery i bezpośrednim połączeniem z komputerem

Kamera IP



Komputer



Transmisja danych - kabel ethernetowy skrosowany

Uwaga!

W celu ochrony kamery przed uszkodzeniem zalecane jest zastosowanie zabezpieczeń przepięciowych. Awarie powstałe w wyniku przepięć nie podlegają naprawie gwarancyjnej.

2.7. Konfiguracja parametrów przy użyciu przeglądarki internetowej

Konfigurację sieciową kamery można przeprowadzić przy pomocy przeglądarki internetowej.

Domyślne ustawienia sieciowe dla kamer IP serii 6000 to :

1. Adres IP = **192.168.1.200**
2. Maska sieci - **255.255.255.0**
3. Brama - **192.168.1.1**
4. Nazwa użytkownika - **root**
5. Hasło - **pass**

Znając adres IP kamery należy ustawić adres IP komputera w taki sposób aby oba urządzenia pracowały w jednej podsieci (dla adresu IP kamery 192.168.1.200 jako adres IP komputera PC możemy ustawić adres z zakresu 192.168.1.0 - 192.168.1.254, np.: 192.168.1.60). Niedopuszczalne jest ustawianie adresu komputera takiego samego jak adres kamery.

Wykorzystując połączenie przez przeglądarkę internetową Internet Explorer lub oprogramowanie NMS należy ustawić docelową konfigurację sieciową (adres IP, maskę sieci, bramę, serwery DNS) lub włączyć tryb pracy DHCP pozwalający na pobranie adresu IP z serwera DHCP (wymagany jest wówczas działający serwer DHCP). W przypadku korzystania z serwera DHCP należy upewnić się co do długości okresu dzierżawy adresu IP, jego powiązania z adresem MAC kamery IP w celu uniknięcia zmiany lub utraty adresu IP w czasie pracy urządzenia lub chwilowej awarii sieci / serwera DHCP. Należy pamiętać że po zmianie adresu IP kamera zostanie zresetowana i trzeba wpisać nowy adres w przeglądarce internetowej. Po konfiguracji ustawień sieciowych pozwalających na bezkonfliktową pracę urządzenia, kamerę IP możemy podłączyć do sieci docelowej.

URUCHAMIANIE I WSTĘPNA KONFIGURACJA

2.8. Zalecenia dotyczące bezpieczeństwa sieci

Uwaga!

Poniżej zostały przedstawione podstawowe zalecenia dotyczące budowy oraz konfiguracji systemów telewizji dozorowej podłączonych do sieci Internet, pozwalające ograniczyć ryzyko nieautoryzowanej ingerencji w system przez osoby trzecie.

1. Bezwzględnie należy zmienić domyślne hasła dostępu oraz nazwy użytkowników (jeśli dane urządzenia dają taką możliwość) wszystkich zastosowanych urządzeń sieciowych (tzn. rejestratora, kamer, routerów, przełączników sieciowych itp.) na hasła o znacznym stopniu skomplikowania. W zależności od możliwości konfiguracji danego urządzenia zaleca się, aby hasło zawierało: małe litery, wielkie litery, cyfry oraz znaki specjalne.
2. W zależności od dostępnej funkcjonalności w celu ograniczenia dostępu do zastosowanych urządzeń sieciowych na poziomie konta administratora zaleca się odpowiednią konfigurację kont użytkowników.
3. Bezwzględnie zabronione jest wykorzystywanie funkcji DMZ (Demilitarized zone - strefa zdemilitaryzowana). Zastosowanie tej funkcji otwiera dostęp do systemu od strony sieci Internet na wszystkich możliwych portach, co w znacznym stopniu ułatwia ewentualną nieautoryzowaną ingerencję w system.

Zamiast wykorzystywania funkcji DMZ należy zastosować przekierowanie portów. Przekierowane powinny zostać jedynie porty niezbędne do realizacji połączenia (szczegółowych informacji na temat portów komunikacji w poszczególnych modelach rejestratorów, kamer itp. należy szukać w instrukcjach obsługi urządzeń).

4. Należy stosować routery wyposażone w funkcję zapory sieciowej (Firewall) oraz upewnić się że funkcja jest włączona oraz odpowiednio skonfigurowana.
5. Jeśli urządzenia sieciowe posiadają taką funkcjonalność zalecana jest zmiana domyślnych numerów portów wykorzystywanych do komunikacji sieciowej.
6. Jeśli urządzenia sieciowe posiadają funkcję UPnP i nie jest ona wykorzystywana, należy ją bezwzględnie wyłączyć.
7. Jeśli urządzenia sieciowe posiadają funkcję P2P i nie jest ona wykorzystywana, należy ją wyłączyć.
8. Jeśli urządzenia sieciowe obsługują protokół HTTPS do realizacji połączeń zaleca się jego stosowanie.
9. Jeśli urządzenia sieciowe obsługują funkcję filtracji adresów IP uprawnionych do nawiązywania połączenia zaleca się jej wykorzystywanie.
10. Jeśli zastosowany rejestrator sieciowy wyposażony jest w dwa interfejsy sieciowe zaleca się odseparowanie sieci do której podłączone są kamery od sieci posiadającej połączenie internetowe. Dzięki temu urządzeniem dostępnym z poziomu sieci Internet będzie rejestrator natomiast połączenie z kamerami nie będzie możliwe.

POŁĄCZENIA SIECIOWE ZA POMOCĄ PRZEGLĄDARKI WWW

3. POŁĄCZENIA SIECIOWE ZA POMOCĄ PRZEGLĄDARKI WWW

3.1. Zalecana konfiguracja komputera PC do połączeń przez przeglądarkę WWW

Poniższe wymagania dotyczą połączenia z kamerą IP przy założeniu płynnego wyświetlania obrazu wideo w rozdzielczości 1920 x 1028 dla 30kl/s.

1. Procesor Intel Core i3 3GHz lub wyższy
2. Pamięć RAM min. 4 GB
3. Karta grafiki (dowolna Nvidia GeForce 512MB Ram lub odpowiednik)
4. System operacyjny Windows 10/11
5. Zainstalowana przeglądarka internetowa
6. Karta sieciowa 100/1000 Mb/s

3.2. Pierwsze połączenie z kamerą za pomocą przeglądarki WWW

W pasku adresu przeglądarki WWW należy wpisać adres IP kamery. Po połączeniu wyświetli się okno z oświadczeniem o ochronie prywatności, które należy zaakceptować przez zaznaczenie pola wyboru i naciśnięcie przycisku „Odczytane”. Następnie kamera wyświetli okno aktywacji, w którym definiuje się hasło administratora (oraz hasło do konta ONVIF). Po przejściu tych kroków wyświetli się ekran logowania, w którym należy podać nazwę konta administratora (domyślnie **root**) oraz ustawione hasło. Po zalogowaniu wyświetli się okno pytań bezpieczeństwa, pozwalających odzyskać dostęp do kamery w przypadku zapomnienia hasła administratora, bez konieczności resetowania urządzenia.

Jeżeli przeglądarka o to poprosi, należy zainstalować dodatek **NetAIIPCamera**, który jest niezbędny do prawidłowego wyświetlania menu i obrazu kamery. Brak właściwego dodatku jest sygnalizowany przez wyświetlenie komunikatu:

The plugin is not installed or the version needs to be updated, please click [Here](#) to download and install. Before installation, please close your browser.

Należy kliknąć na łącze „Here” aby rozpocząć pobieranie dodatku a następnie, korzystając z okienka dialogowego przeglądarki, należy zainstalować go.



W okienku należy kliknąć przycisk *Uruchom*, a następnie należy postępować zgodnie z poleceniami programu instalującego.

i Dla zapewnienia poprawności działania wszystkich funkcji kamery, przeglądarkę Internet Explorer należy uruchamiać z uprawnieniami administratora.

i Przy korzystaniu z przeglądarki używającej protokołu HTML5 (jak Firefox, Chrome, Opera, Safari) nie ma potrzeby instalowania jakichkolwiek dodatków i po zalogowaniu się, w oknie podglądu na żywo wyświetli się obraz.

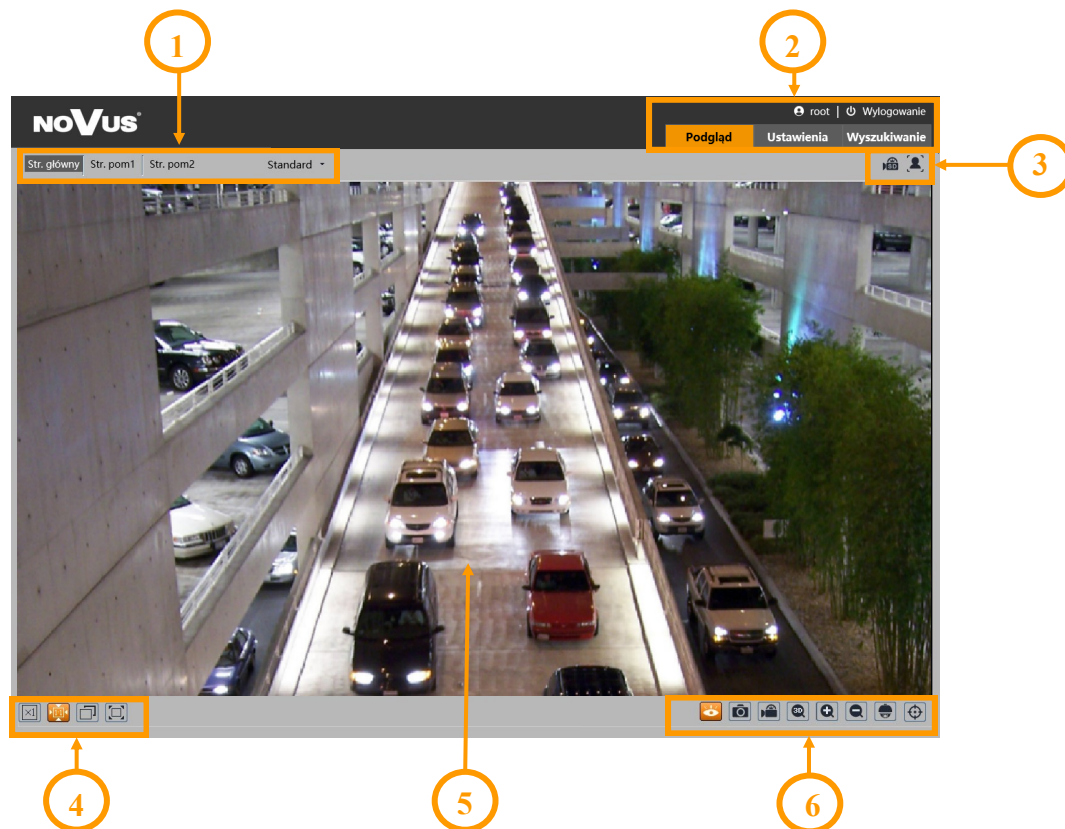
INTERFEJS WWW - PRACA Z KAMERA

4. INTERFEJS WWW - PRACA Z KAMERA

4.1. Widok okna zdalnego podglądu



Poniższy widok przedstawia okno zdalnego podglądu wyświetlone w przeglądarce Internet Explorer, z zainstalowanym dodatkiem „NetAIIPCamera”. Podczas łączenia się z kamerą z przeglądarek korzystających z HTML5, niektóre elementy menu i/lub niektóre opcje mogą być niedostępne lub ograniczone. Nie jest to wada, ale wynika ze specyfiki standardu HTML5.



1. Wybór strumienia do wyświetlania w oknie podglądu oraz ustawienie rozmiaru bufora kamery.

2. Przyciski wyboru trybu pracy i konfiguracji kamery:

- Podgląd - włącza podgląd strumienia na żywo
- Ustawienia - wyświetla panel konfiguracyjny kamery
- Wyszukiwanie - wyświetla panel wyszukiwania i odtwarzania nagrań z karty pamięci
- Wylogowanie - wylogowuje z kamery

3. Panel wyświetlania ikon zdarzeń alarmowych:



Od lewej: sygnalizacja nagrywania na kartę pamięci, zmiana kolorystyki, rozmycie obrazu, zmiana sceny, opuszczenie obszaru, wkroczenie w obszar, przekroczenie linii, wtargnięcie, detekcja ruchu.

Wystąpienie danego zdarzenia jest sygnalizowane migającym czerwonym kolorem.

INTERFEJS WWW - PRACA Z KAMERA

4. Przyciski ustawiania obrazu:



Od lewej: rozmiar oryginalny, proporcje oryginalne, automatyczne dopasowanie do okna, pełny ekran.

5. Okno podglądu na żywo.

Dwukrotne kliknięcie lewym przyciskiem myszy na oknie podglądu włącza i wyłącza wyświetlanie obrazu na całym ekranie.

6. Przyciski sterujące funkcjami kamery:



Od lewej: włącza/wyłącza podgląd na żywo, wykonuje zdjęcie, włącza/wyłącza nagrywanie wideo na dysku komputera, włącza sterowanie PTZ 3D, przyciski cyfrowego zoomu, włącza/wyłącza panel PTZ, włącza/wyłącza wyświetlanie linii analizy obrazu

7. Funkcje panelu PTZ

Przyciski sterowania ruchem głowicy PTZ

Przyciski sterowania obiektywem, od góry: zoom-, zoom+, ostrość-, ostrość+, przysłona-, przysłona+.

Regulacja szybkości ruchu głowicy PTZ

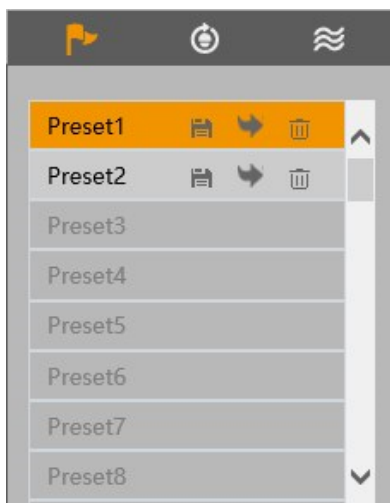
Sterowanie funkcjami kamery, od lewej:
 - wł./wył. skanowanie
 - wł./wył. wycieraczkę (funkcja nieaktywna)
 - sterowanie oświetlaczem IR: włącza, włącza tryb automatyczny, wyłącza
 - włącza skanowanie 360°
 - włącza skanowanie grupowe

Zmiana rodzaju wyświetlanej listy:
 - wyświetla listę presetów
 - wyświetla listę patroli
 - wyświetla listę tras obserwacji




Lista presetów, patroli lub tras obserwacji

INTERFEJS WWW - PRACA Z KAMERA

Opcje listy presetów:





Na liście presetów wyświetlane są wszystkie dostępne presety. Presety zapisane (zajęte) są oznaczone pogrubioną czcionką. Przy każdym presecie są dostępne ikony pozwalające na zarządzanie:

-  - zapisuje obecną pozycję głowicy kamery jako preset. Jeżeli w wybranej pozycji jest już zapisany jakiś preset, zostanie nadpisany.
-  - wywołuje wybrany preset
-  - usuwa wybrany preset

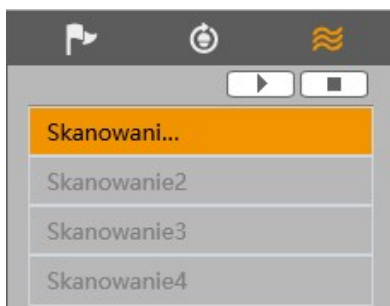
Opcje listy patroli:





Na liście patroli wyświetlane są wszystkie dostępne patrole. Patrole zapisane (zajęte) są oznaczone pogrubioną czcionką. Po zaznaczeniu wybranego patrolu (jeżeli jest ustawiony), aktywują się przyciski sterujące:

-  - uruchamia patrol
-  - zatrzymuje patrol

Opcje listy tras obserwacji:



Na liście tras obserwacji wyświetlane są wszystkie dostępne trasy. Trasy zapisane (zajęte) są oznaczone pogrubioną czcionką. Po zaznaczeniu wybranej trasy (jeżeli jest ustawiona), aktywują się przyciski sterujące:

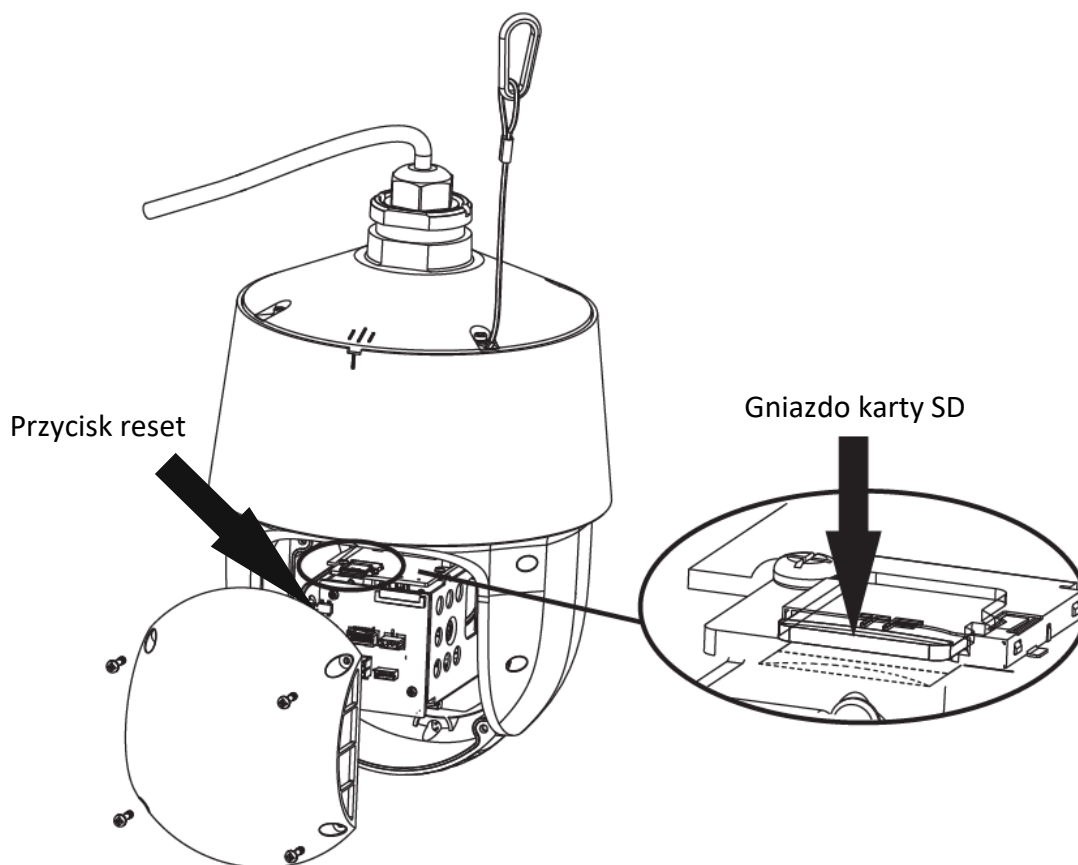
-  - uruchamia trasę
-  - zatrzymuje trasę

INSTALACJA KARTY SD

5. INSTALACJA KARTY SD

Kamera obsługuje karty micro SD o pojemności do 256 GB. W celu instalacji karty należy:

- Wyłączyć zasilanie kamery
- Zdemontować pokrywę osłaniającą tylną część głowicy obrotowej
- Zainstalować kartę SD w odpowiednim gnieździe (wskazane strzałką na rysunku poniżej)
- Zamocować pokrywę zwracając uwagę na poprawne ułożenie uszczelki
- Włączyć kamerę
- Sprawdzić poprawność zainstalowania karty przez zweryfikowanie jej rozmiaru w zakładce „Ustawienia -> System -> Karta SD”.



PRZYWRACANIE USTAWIEŃ FABRYCZNYCH

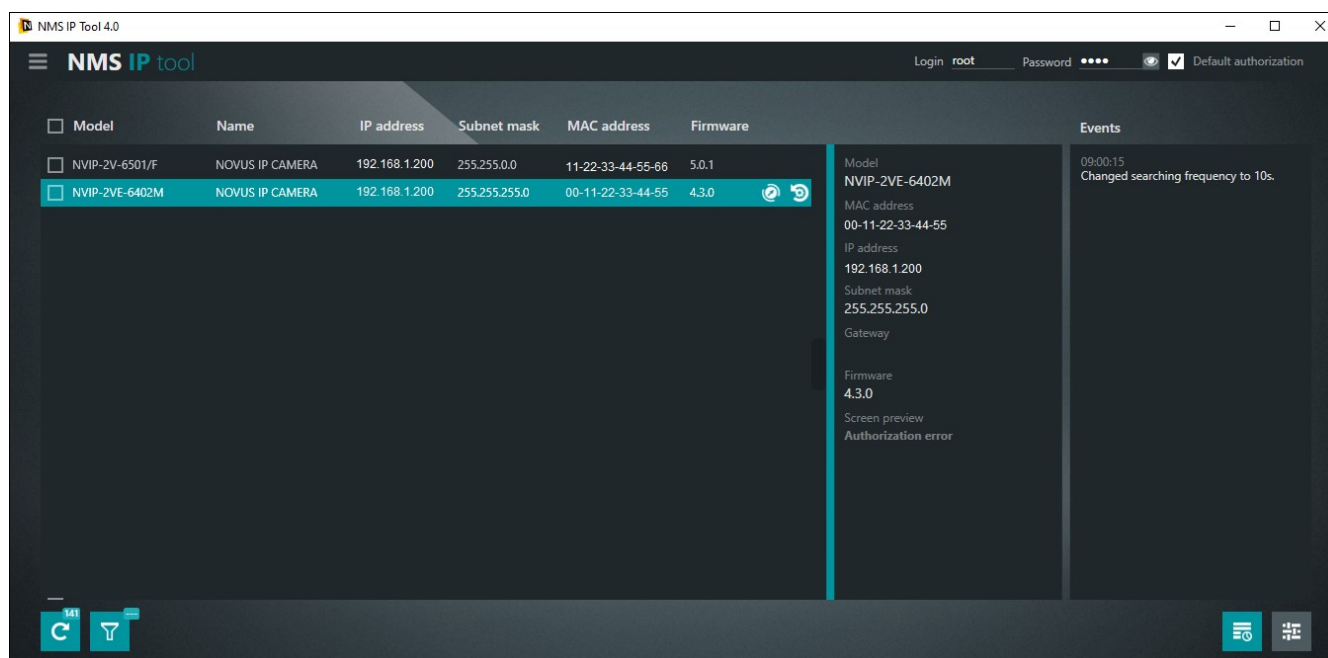
6. PRZYWRACANIE USTAWIEŃ FABRYCZNYCH

6.1. Programowe przywracanie ustawień fabrycznych

Przywracanie ustawień fabrycznych kamery powoduje powrót ustawień kamery do wartości fabrycznych. Zaznaczenie wybranej opcji „Zatrzymaj” pozwala na zachowanie ustawień sieci, konfiguracji zabezpieczeń lub konfiguracji obrazu bez zmian. Opcja przywracania ustawień fabrycznych znajduje się w zakładce „Ustawienia -> Konserwacja -> Kopia zapasowa”.

6.2. Programowe przywracanie ustawień fabrycznych z wykorzystaniem programu NMSiptool

Za pomocą programu NMSiptool użytkownik może przywrócić ustawienia fabryczne. Odbywa się to poprzez wybranie kamery z listy, kliknięcie na ikonę przywracania ustawień fabrycznych i potwierdzenie w oknie dialogowym. Następnie, w ciągu 30 sekund od potwierdzenia, należy wyłączyć i ponownie podłączyć zasilanie kamery.



6.3. Sprzętowe przywracanie ustawień fabrycznych

W celu sprzętowego przywrócenia ustawień fabrycznych kamery należy postępować zgodnie z instrukcją:

- Zdemontować pokrywę osłaniającą tylną część głowicy obrotowej
- Nacisnąć przycisk RESET (wskazany strzałką na rysunku na poprzedniej stronie) i przytrzymać przez około 10 sekund
- Zwolnić przycisk
- Zaczekać aż kamera uruchomi się (zakończy pozycjonowanie głowicy) - trwa to około 2 minut
- Zamocować pokrywę zwracając uwagę na poprawne ułożenie uszczelki
- Zalogować się ponownie używając domyślnego adresu IP, nazwy użytkownika i hasła

PRESETY SPECJALNE**7. PRESETY SPECJALNE**

Kamera posiada grupę presetów specjalnych, które nie służą do zapamiętywania pozycji głowicy PTZ, ale ich zadaniem jest wykonywanie określonych akcji. Poniższa tabela opisuje funkcje tych presetów:

Numer presetu	Akcja	Wykonywanie zadanie
89	-	preset startowy dla funkcji śledzenia (zapisywany automatycznie)
90	wywołaj	uruchamia trasę obserwacji nr. 1
91	wywołaj	uruchamia patrol nr. 1
92	wywołaj	uruchamia patrol nr. 2
	zapisz	zapisuje lewy punkt końcowy skanowania
93	wywołaj	uruchamia patrol nr. 3
	zapisz	zapisuje prawy punkt końcowy skanowania
94	wywołaj	uruchamia patrol nr. 4
95	wywołaj	wyświetla menu kamery. Jest to menu tekstowe, zawierające opcje konfiguracji kamery (opcje obrazu, OSD, hasło itd) i sterowania PTZ. Poruszanie się po menu, zmiana ustawień i zapis zmian odbywa się za pośrednictwem przycisków sterowania PTZ.
96	-	nie aktywny
97	wywołaj	uruchamia skanowanie 360°
98	-	nie aktywny
99	wywołaj	uruchamia skanowanie
100 - 109	-	nie aktywne

ŚLEDZENIE OBIEKTÓW

8. KONFIGURACJA OPCJI ŚLEDZENIA OBIEKTÓW

Jedną z możliwych reakcji kamery na wystąpienie zdarzenia inteligentnej analizy obrazu jest śledzenie obiektów. Pozwala to na obserwację trasy przemieszczania się obiektu oraz identyfikację jego cech, a także na rozróżnienie rodzaju obiektu (pojazd czterokołowy, jednoślad, osoba). Podczas śledzenia kamera zapamiętuje cechy śledzonego obiektu i pojawienie się innego obiektu w polu widzenia, nawet tego samego rodzaju, nie powoduje jej rozproszenia.

Opcja śledzenia jest dostępna dla detekcji przekroczenia linii, wkroczenia w obszar i opuszczenia obszaru oraz detekcji wtargnięcia. Konfiguracja śledzenia przebiega w kilku etapach i zostanie opisana na przykładzie ustawień dla detekcji wtargnięcia.

Główne opcje konfiguracyjne śledzenia znajdują się w menu „Ustawienia -> Alarm -> Ustawienia śledzenia”.

Ustawienia	
Priorytet pracy	Ręczne sterow. PTZ
Czas śledzenia:	3 (s)
Powrót po zatrzym. obiektu:	0 (s)
Powrót po ręcznym PTZ:	3 (s)

Info: Wybór opcji "Śledzenie obiektów" przy wybraniu śledzenia jako reakcji na zdarzenie, wyłącza możliwość ręcznego sterowania PTZ

Lista wyboru „Priorytet pracy” pozwala zdecydować, które zadania będą dla kamery priorytetowe podczas włączonej opcji śledzenia.

Przy wybraniu opcji „Ręczne sterowanie PTZ” (opcja domyślna), priorytetem będzie możliwość ręcznego sterowania głowicą PTZ przez operatora. Kamera w tym trybie będzie śledziła (lub oczekiwała na pojawienie się obiektu), ale w momencie gdy operator naciśnie jeden z przycisków sterowania PTZ, kamera natychmiast przerwie wykonywaną akcję śledzenia i będzie poruszała głowicą PTZ zgodnie z poleceniami operatora. Po zakończeniu przez operatora sterowania PTZ, kamera po określonym czasie wróci na pozycję startową śledzenia i rozpocznie oczekiwanie na pojawienie się obiektu.

Dla tej opcji dostępne są trzy ustawienia: „Czas śledzenia” (domyślnie - brak limitu) - to czas przez jaki kamera śledzi obiekt pozostający w jej polu widzenia. Po upływie tego czasu kamera porzuca śledzenie i wraca na pozycję startową. W przypadku gdy czas śledzenia jeszcze nie upłynął, ale śledzony obiekt ukrył się za przeszkodą terenową, kamera natychmiast powróci na pozycję startową. Po zaznaczeniu opcji można ustawić czas śledzenia w zakresie od 3 do 20 sekund. „Powrót po zatrzymaniu obiektu” (domyślnie - natychmiast) - to czas, po którym kamera wraca na pozycję startową w przypadku, gdy śledzony obiekt zatrzymał się w polu widzenia kamery. Po włączeniu opcji można ustawić ten czas w zakresie od 0 do 100 sekund. „Powrót po ręcznym PTZ” (domyślnie - 3 sekundy) - to czas po którym kamera wraca na pozycję startową, po zakończeniu przez operatora sterowania PTZ. Po włączeniu opcji można ustawić ten czas w zakresie od 3 do 20 sekund.

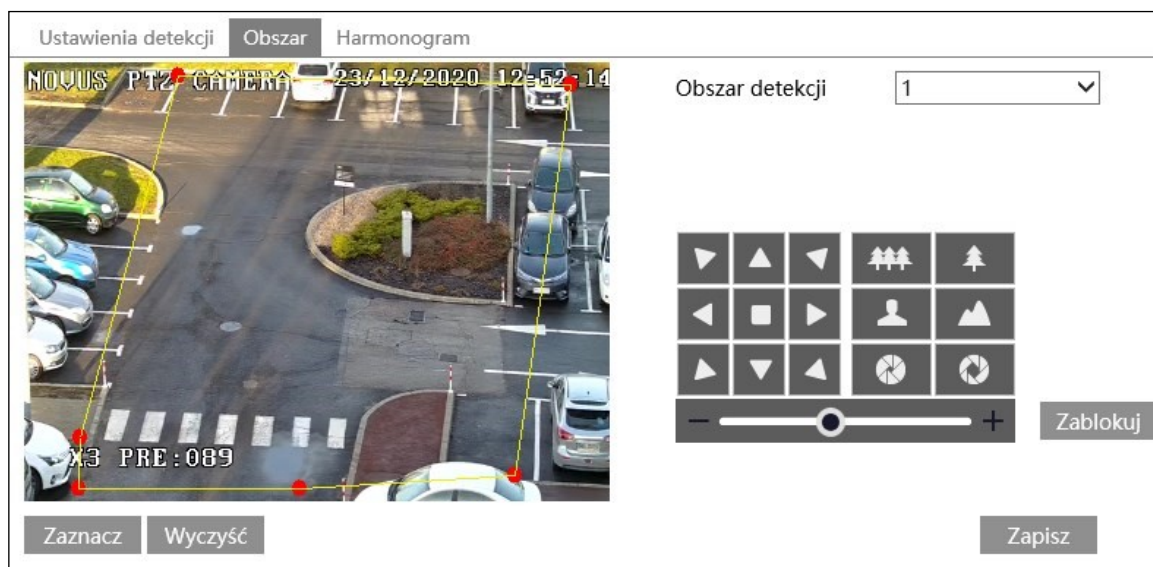
Przy wybraniu na liście wyboru „Priorytet pracy” opcji „Śledzenie obiektów”, priorytetowym zadaniem dla kamery będzie śledzenie obiektów. W tym trybie kamera wykonuje tylko zadania związane ze śledzeniem i ignoruje polecenia PTZ operatora. Aby możliwe było sterowanie PTZ, należy przełączyć na opcję „Ręczne sterowanie PTZ”, lub użyć przycisku „Odblokuj” (opis w dalszej części instrukcji).

Dla tej opcji dostępne są dwa ustawienia, „Czas śledzenia” i „Powrót po zatrzymaniu obiektu”.

ŚLEDZENIE OBIEKTÓW

Po skonfigurowaniu opcji ustawień śledzenia dalsze ustawienia odbywają się w menu funkcji analizy obrazu, w tym przykładzie w menu detekcji wtargnięcia.

W zakładce „Ustawienia detekcji” włączamy funkcję i konfigurujemy wymagane opcje, **ale jeszcze nie włączamy opcji „Śledzenie”**. Następnie przechodzimy do zakładki „Obszar”, gdzie za pomocą przycisków sterowania PTZ ustawiamy odpowiednie pole widzenia, a następnie w oknie podglądu wyznaczamy obszar detekcji i zapisujemy zmiany.



Po wykonaniu powyższych czynności naciskamy przycisk „Zablokuj”. Naciśnięcie tego przycisku powoduje zapisanie aktualnej pozycji głowicy PTZ jako pozycji startowej dla śledzenia (pozycja startowa dla śledzenia jest zapisywana jako preset specjalny numer 89). Następnie wracamy do zakładki „Ustawienia detekcji”, włączamy opcję „Śledzenie” i zapisujemy zmiany. Od tego momentu kamera rozpoczyna śledzenie obiektów w obszarze detekcji.

Przycisk „Zablokuj” po naciśnięciu zmienia swoją funkcję na „Odblokuj”. Odblokowanie śledzenia jest potrzebne w dwóch przypadkach:

- gdy w menu „Ustawienia -> Alarm -> Ustawienia śledzenia” została wybrana opcja „Śledzenie obiektów” (gdy wyłączone jest ręczne sterowanie PTZ), naciśnięcie przycisku „Odblokuj” włącza ręczne sterowanie PTZ.
- gdy chcemy zmienić obszar obserwacji

i Naciśnięcie przycisku „Odblokuj” zawieszają śledzenie obiektów do czasu naciśnięcia przycisku „Zablokuj”.

i Należy mieć na uwadze, że każde naciśnięcie przycisku „Zablokuj” zapisuje aktualną pozycję głowicy PTZ jako nową pozycję startową dla śledzenia.

noVus[®]

AAT SYSTEMY BEZPIECZEŃSTWA Sp. z o.o.

ul. Puławska 431, 02-801 Warszawa, Polska

tel.: 22 546 0 546, kontakt@aat.pl

www.novuscctv.com/pl