

# Quick start guide



eng

**NVIP-2H-6231-II**

**NVIP-2H-6231-II/7043**

**NOVUS<sup>®</sup>**

## IMPORTANT SAFEGUARDS AND WARNINGS

### THE PRODUCT MEETS THE REQUIREMENTS CONTAINED IN THE FOLLOWING DIRECTIVES:



**DYREKTYWA PARLAMENTU EUROPEJSKIEGO I RADY 2014/30/UE z dnia 26 lutego 2014 r.** w sprawie harmonizacji ustawodawstw państw członkowskich odnoszących się do kompatybilności elektromagnetycznej (Dz.U. L 096 z 29.3.2014, s. 79-106, z późniejszymi zmianami) – zwana Dyrektywą EMC.



**DYREKTYWA PARLAMENTU EUROPEJSKIEGO I RADY 2012/19/UE z dnia 4 lipca 2012 r.** w sprawie zużytego sprzętu elektrycznego i elektronicznego WEEE (Dz.U. L 96 z 29.3.2014, str. 79-106, z późniejszymi zmianami) – zwana Dyrektywą WEEE.



**DYREKTYWA PARLAMENTU EUROPEJSKIEGO I RADY 2011/65/UE z dnia 8 czerwca 2011 r.** w sprawie ograniczenia stosowania niektórych niebezpiecznych substancji w sprzęcie elektrycznym i elektronicznym (Dz.U. L 174 z 1.7.2011, str. 88-110, z późniejszymi zmianami) - zwana Dyrektywą RoHS.

**DYREKTYWA DELEGOWANA KOMISJI (UE) 2015/863 z dnia 31 marca 2015 r.** zmieniająca załącznik II do dyrektywy Parlamentu Europejskiego i Rady 011/65/UE w odniesieniu do wykazu substancji objętych ograniczeniem (Dz. U. z 3 stycznia 2017).

**DYREKTYWA PARLAMENTU EUROPEJSKIEGO I RADY (UE) 2017/2102 z dnia 15 listopada 2017 r.** zmieniająca dyrektywę 2011/65/UE w sprawie ograniczenia stosowania niektórych niebezpiecznych substancji w sprzęcie elektrycznym i elektronicznym (Dz. U. z 10 lipca 2019).

#### Information

The device, as a part of professional CCTV system used for surveillance and control, is not designed for self installation in households by individuals without technical knowledge.

#### Excluding of responsibility in case of damaging data on a disk or other devices:

The manufacturer does not bear any responsibility in case of damaging or losing data on a disk or other devices during device operation.

#### WARNING!

PRIOR TO UNDERTAKING ANY ACTION THAT IS NOT DESCRIBED FOR THE GIVEN PRODUCT IN USER'S MANUAL AND OTHER DOCUMENTS DELIVERED WITH THE PRODUCT, OR IF IT DOES NOT ARISE FROM THE USUAL APPLICATION OF THE PRODUCT, MANUFACTURER MUST BE CONTACTED UNDER THE RIGOR OF EXCLUDING THE MANUFACTURER'S RESPONSIBILITY FOR THE RESULTS OF SUCH AN ACTION.



**Pictures in this publication showing camera views can be simulations. Actual camera images may vary depending on the type, model, settings, observation area, or environmental conditions.**

## IMPORTANT SAFEGUARDS AND WARNINGS

---

---

### **WARNING!**

THE KNOWLEDGE OF THIS MANUAL IS AN INDESPENSIBLE CONDITION OF A PROPER DEVICE OPERATION. YOU ARE KINDLY REQUESTED TO FAMILIRIZE YOURSELF WITH THE MANUAL PRIOR TO INSTALLATION AND FURTHER DEVICE OPERATION.

### **WARNING!**

USER IS NOT ALLOWED TO DISASSEMBLE THE CASING AS THERE ARE NO USER -SERVICEABLE PARTS INSIDE THIS UNIT. ONLY AUTHORIZED SERVICE PERSONNEL MAY OPEN THE UNIT

INSTALLATION AND SERVICING SHOULD ONLY BE DONE BY QUALIFIED SERVICE PERSONNEL AND SHOULD CONFORM TO ALL LOCAL REGULATIONS

1. Prior to undertaking any action please consult the following manual and read all the safety and operating instructions before starting the device.
2. Please keep this manual for the lifespan of the device in case referring to the contents of this manual is necessary;
3. All the safety precautions referred to in this manual should be strictly followed, as they have a direct influence on user's safety and durability and reliability of the device;
4. All actions conducted by the servicemen and users must be accomplished in accordance with the user's manual;
5. The device should be disconnected from power sources during maintenance procedures;
6. Usage of additional devices and components neither provided nor recommended by the producer is forbidden;
7. You are not allowed to use the camera in high humidity environment (i.e. close to swimming pools, bath tubs, damp basements);
8. Mounting the device in places where proper ventilation cannot be provided (e. g. closed lockers etc.) is not recommended since it may lead to heat build-up and damaging the device itself as a consequence;
9. Mounting the camera on unstable surface or using not recommended mounts is forbidden. Improperly mounted camera may cause a fatal accident or may be seriously damaged itself. The camera must be mounted by qualified personnel with proper authorization, in accordance with this user's manual;
10. Device should be supplied only from a power sources whose parameters are in accordance with those specified by the producer in the camera technical datasheet. Therefore, it is forbidden to supply the camera from a power sources with unknown parameters, unstable or not meeting producer's requirements;

*Due to the product being constantly enhanced and optimized, certain parameters and functions described in the manual in question may change without further notice.*

*We strongly suggest visiting the [www.novuscctv.com](http://www.novuscctv.com) website in order to access the newest manual.*

## TABLE OF CONTENTS

---

<b>TABLE OF CONTENTS</b> .....	4
<b>1. FOREWORD INFORMATION</b> .....	5
1.1. General characteristics.....	5
1.2. Technical specification .....	6
1.3. Camera dimensions .....	7
1.4. Package contents.....	7
<b>2. START-UP AND INITIAL IP CAMERA CONFIGURATION</b> .....	8
2.1. Description of connectors and control tools .....	8
2.2. Ethernet cable connecting .....	9
2.3. Camera mounting .....	10
2.4. Starting the IP camera.....	11
2.5. Initial configuration via the web browser.....	12
2.6. Security recommendations for network architecture and configuration .....	13
<b>3. NETWORK CONNECTION USING WEB BROWSER</b> .....	14
3.1. Recommended PC specification for web browser .....	14
3.2. Connection with IP camera via web browser.....	14
<b>4. WWW INTERFACE - WORKING WITH IP CAMERA</b> .....	19
4.1. Displaying live video. ....	19
<b>5. ELECTRIC CONNECTORS AND ACCESORIES</b> .....	20
5.1. MicroSD card installation .....	20
<b>6. FACTORY SETTINGS RESTORING</b> .....	21
6.1. Software factory settings restoring via web browser .....	21
6.2. Software factory settings restoring via NMS IPTool.....	21
6.3. Hardware factory settings restoring .....	22

eng

## FOREWORD INFORMATION

---

---

### 1. FOREWORD INFORMATION

#### 1.1. General Characteristics

- Sensor resolution: 2.0 megapixels
- Mechanical IR cut filter (IR operation capability)
- Min. Illumination from 0 lx with IR LED on
- Wide Dynamic Range (WDR) for enhanced image quality in diverse light conditions
- Digital Noise Reduction (DNR)
- Highlight Compensation (HLC)
- Back Light Compensation (BLC)
- Reduction of image flicker (Antiflicker)
- Lens type: fixed focal,  $f=2.8\text{mm}/F1.6$
- Built-in LED illuminator
- Built-in webserver: camera configuration through the website
- Video compression: H.264, H.265, H.264+, H.265+, MJPEG / G711
- Max. video resolution up to 1920 x 1080
- Multi streaming: compression, resolution, speed and quality defined individually for each video stream
- ROI functions
- Motion detection
- Private Zones
- RTSP protocol support for video transmission
- Schedule
- Micro SD card up to 256GB
- Wide range of responses to alarm events: e-mail with attachment, saving file on FTP server, saving file on SD card,
- Electronic Shutter from 1/3 s to 1/100000 s.
- Supports up to 2 streams
- ONVIF Protocol Support
- Software: NMS (NOVUS MANAGEMENT SYSTEM) for video recording, live monitoring, playback and remote IP devices administration
- Power supply: 12 VDC / PoE

## FOREWORD INFORMATION

### 1.2. Technical specification

IMAGE	
Image Sensor	2 MPX CMOS sensor 1/2.8" SmartSens
Number of Effective Pixels	1920 (H) x 1080 (V)
Min. Illumination	0.008 lx/F1.6 - color mode, 0 lx (IR on) - B/W mode
Electronic Shutter	auto: 1/3 s ~ 1/100000 s
Digital Slow Shutter (DSS)	up to 1/3 s
Wide Dynamic Range (WDR)	yes
Digital Noise Reduction (DNR)	3D
Highlight Compensation (HLC)	yes
Back Light Compensation (BLC)	yes
Reduction of image flicker (Antiflicker)	yes
LENS	
Lens Type	fixed focal, f=2.8 mm/F1.6
DAY/NIGHT	
Switching Type	mechanical IR cut filter
Switching Mode	auto, manual, time
Switching Level Adjustment	yes
Switching Delay	2 ~ 120 s
Switching Schedule	yes
Visible Light Sensor	yes
NETWORK	
Stream Resolution	1920 x 1080 (Full HD), 1280 x 720 (HD), 640 x 480 (VGA), 320 x 240 (QVGA)
Frame Rate	30 fps for 1920 x 1080 (Full HD) and lower resolutions
Multistreaming Mode	2 streams
Video/Audio Compression	H.264, H.264+, H.265, H.265+, MJPEG/G.711
Number of Simultaneous Connections	max. 3
Bandwidth	9 Mb/s in total
Network Protocols Support	HTTP, IPv4, IPv4/v6, UDP, HTTPS, FTP, DHCP, DDNS, NTP, RTSP, RTP, UPnP, SNMP, QoS, IEEE 802.1X, PPPoE, SMTP, RTCP
ONVIF Protocol Support	Profile S
Camera Configuration	from Internet Explorer browser languages: Polish, English, Russian, and others
Compatible Software	NMS, N Control 6000
Mobile applications	SuperLive Plus (iPhone, Android)
OTHER FUNCTIONS	
Privacy Zones	4 video mask type: single color
Motion Detection	yes
Region of interest (ROI)	8
Video Content Analysis (VCA)	tamper, abandoned object, object disappearance, line cross, Scene Change, Video Blurred, Video Color Cast, intrusion detection
Image Processing	sharpening, mirror effect, vertical flip, horizontal flip
Prealarm/Postalarm	up to 6 s/up to 120 s
System Reaction to Alarm Events	e-mail, e-mail with attachment, saving file on FTP server, saving file on SD card
Restoring default settings	via web browser, using reset button, via NMS IPTool software

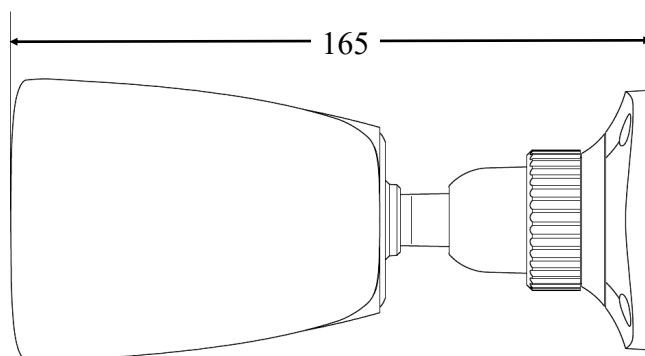
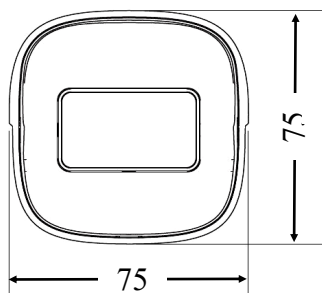
## FOREWORD INFORMATION

IR LED	
LED Number	1
Range	30 m
Smart IR	yes (software support)
INTERFACES	
Audio Input/Output	1 x Jack (3.5 mm)/-
Network Interface	1 x Ethernet - RJ-45 interface, 10/100 Mbit/s
Memory Card Slot	microSD - capacity up to 256GB
INSTALLATION PARAMETERS	
Dimensions (mm)	with bracket: 75 (W) x 75 (H) x 165 (L)
Weight	0.4 kg
Degree of Protection	IP 67 (details in the user's manual)
Enclosure	aluminium, white or gray (NVIP-2H-6231-II/7043), fully cable managed wall mount bracket in-set included, IK10 impact rating
Power Supply	PoE, 12 VDC
Surge protection	TVS 4000 V
Power Consumption	3 W, 5.5 W (IR on)
Operating Temperature	-30°C ~ 60°C
Humidity	max. 95%, relative (non-condensing)

eng

### 1.3. Camera dimensions (mm)

Camera NVIP-2H-6231-II



### 1.4. Package contents

After opening the package make sure that the following elements are inside:

- IP camera
- Accessories bag
- Short version of user's manual

If any of this elements has been damaged during transport, pack all the elements back into the original box and contact your supplier for further assistance.

#### CAUTION!

**It is forbidden to use – as the camera power source – PoE equipment (adapters, etc.) not compatible with IEEE 802.3af standard (items called “passive PoE power supply”). Damages caused by the usage of improper power supply source are not covered by the warranty.**

## START-UP AND INITIAL IP CAMERA CONFIGURATION

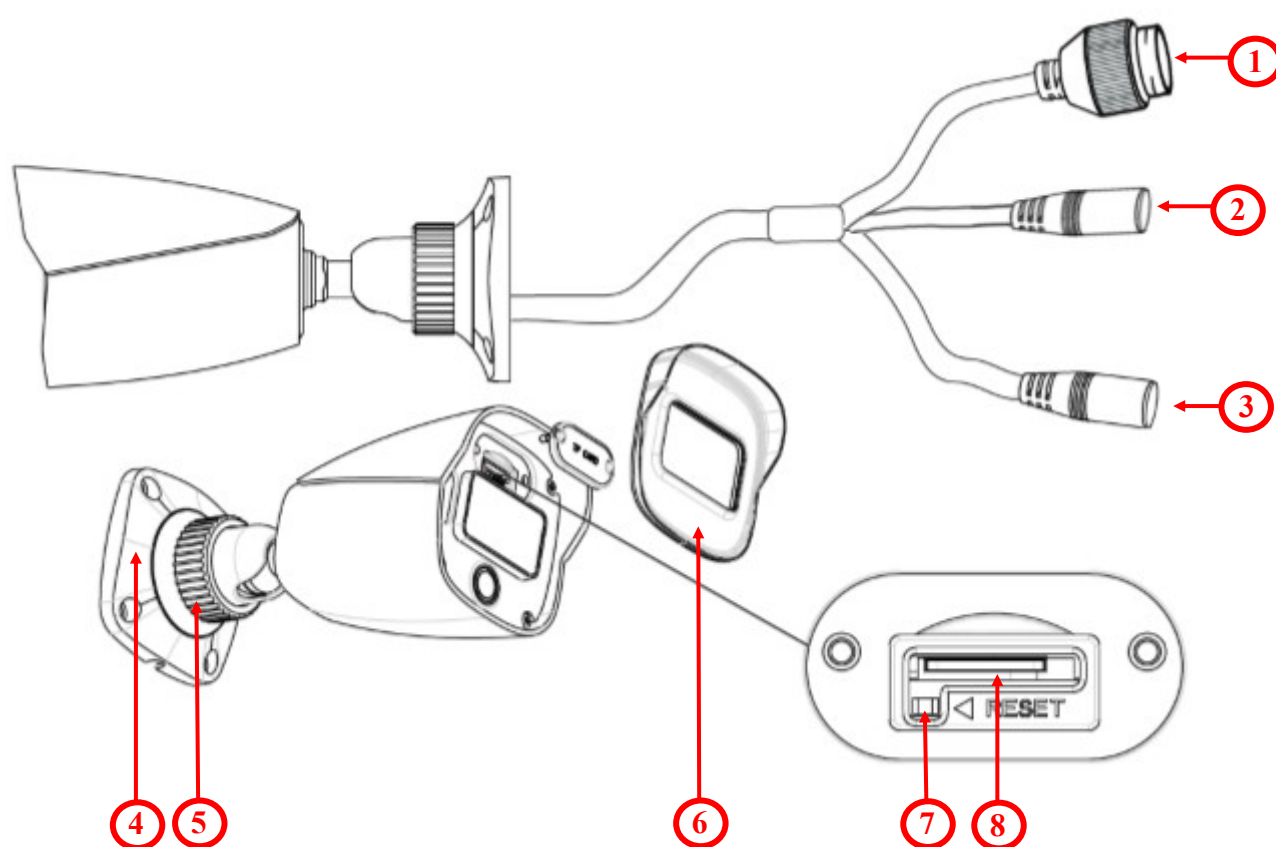
### 2. START-UP AND INITIAL IP CAMERA CONFIGURATION

#### CAUTION!

If the device was brought from a location with lower temperature, please wait until it reaches the temperature of location it is currently in. Turning the device on immediately after bringing it from a location with lower ambient temperature is forbidden, as the condensing water vapour may cause short-circuits and damage the device as a result.

Before starting the device familiarize yourself with the description and the role of particular inputs, outputs and adjusting elements that the device is equipped with.

#### 2.1 Description of connectors and control tools



1. 100 Mb/s Ethernet port (PoE RJ-45 connector)
2. Audio input (Jack 3.5 mm)
3. Power supply 12VDC
4. Base of camera
5. Counter nut
6. Plastic cover
7. Reset button
8. MicroSD card slot

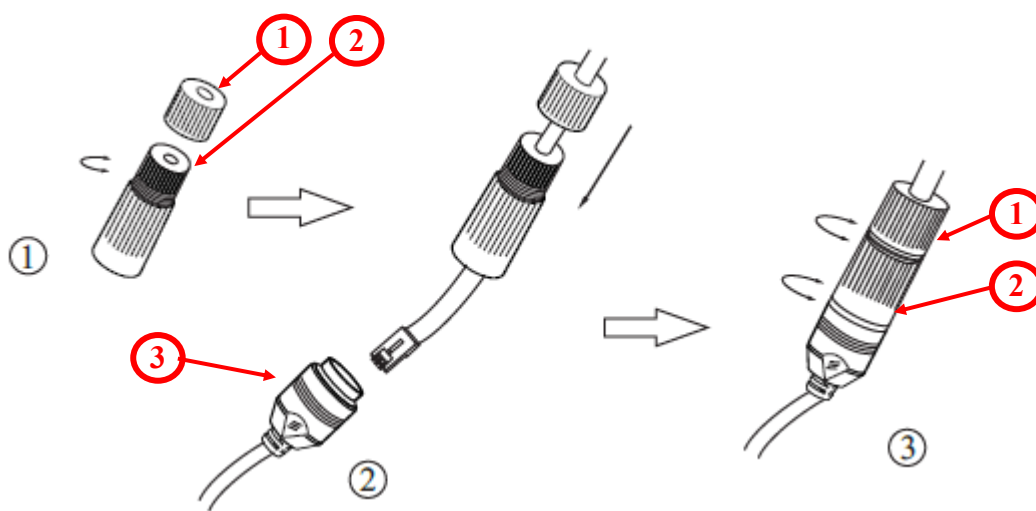


## START-UP AND INITIAL IP CAMERA CONFIGURATION

### 2.2. Ethernet cable connecting

To maintain tightness of ethernet cable connection, please follow instruction below:

1. Unscrew the nut (1) from the connector cover (2).
2. Route the network cable (without the RJ-45 plug) through the components (1) and (2), than crimp the RJ-45 connector.
3. Plug the RJ-45 connector into the hermetic socket (3), screw the connector cover (2), and than the nut (1).



eng

#### CAUTION!

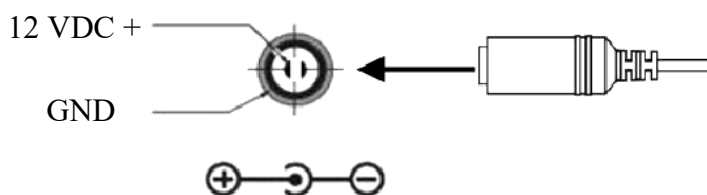
The declared degree of protection of the camera relates to its housing and does not take into account the possibility of moisture infiltration into the camera by connection cables. Connection cables protection through i.e. sealing up is the camera installer duty. The manufacturer is not liable for any camera damages caused as a result of failing in performing that activity by installer, which also means that camera damaged in that way is not subject to warranty repairs.

#### CAUTION!

Camera power supply connector is not hermetic. Installer should seal this connector by himself.

Camera can be supplied using external power supply unit corresponding with the camera parameters or by using RJ45 network socket and PoE (802.3af) power supply unit. If you're using external power supply please connect wires according to polarisation shown on picture:

Scheme of 12VDC power supply connector



#### CAUTION!

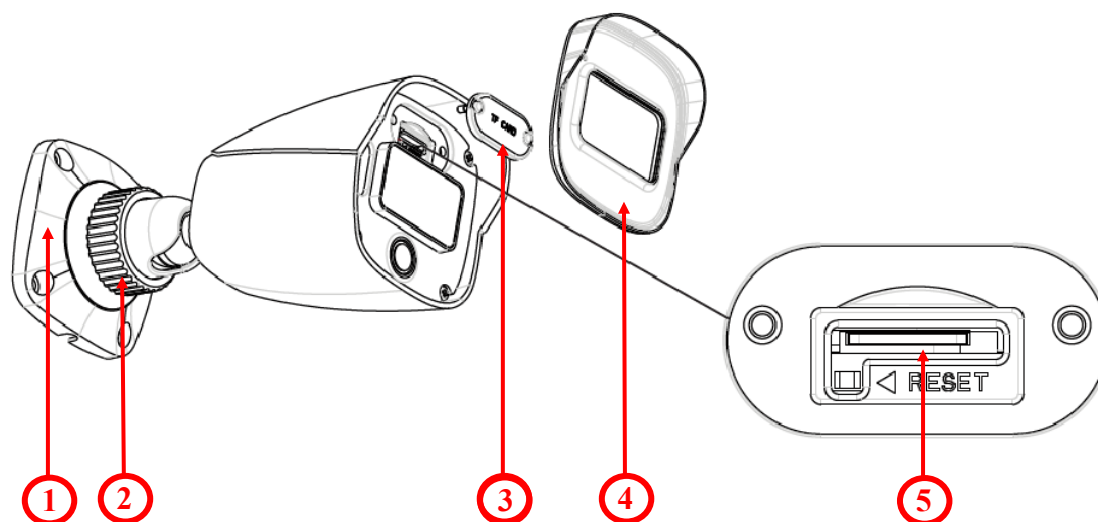
In order to provide protection against voltage surges/lightning strikes, usage of appropriate surge protectors is advised. Any damages resulting from surges are not eligible for service repairs.

## START-UP AND INITIAL CAMERA CONFIGURATION

### 2.3. Camera mounting

To mount a camera please follow the instructions below:

- Unscrew the counter nut (2).
- Put the bracket to the wall in a desired mounting place (with cable hole). Take the drill pattern and mark future drilling holes for screws and wires.
- Drill holes for screws, wires and base.
- Mount the camera base (1) using the supplied plugs and screws.
- If necessary, remove the plastic cover (4), unscrew the camera service panel (3), mount microSD card in the socket (5), screw the camera service panel (3) and put on plastic cover(4).
- Connect the camera wires.
- Adjust camera position.
- Tighten to the stop counter nut (2).



#### CAUTION!

Please note that the wall or ceiling must have enough strength to carry the IP Camera.

#### CAUTION!

In order to obtain declared degree of protection please seal the camera bracket to prevent water getting inside. Furthermore, when installing the bracket on rough/uneven surfaces, please additionally seal the junction with appropriate sealing mass. Please pay special attention to any mounting holes and if they are a loop-through ones, seal them too.

## START-UP AND INITIAL CAMERA CONFIGURATION

### 2.4. Starting the IP camera

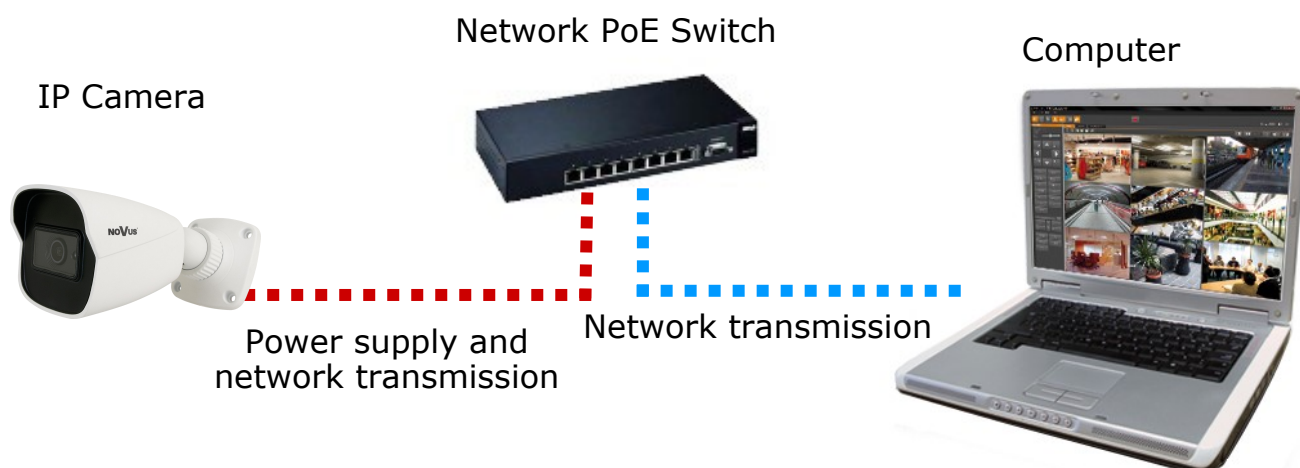
To run NOVUS IP camera you have to connect ethernet cable between camera and network PoE switch with PoE support (IEEE 802.3af).

You can also power it from 12VDC power supply compatible with camera power supply specification.

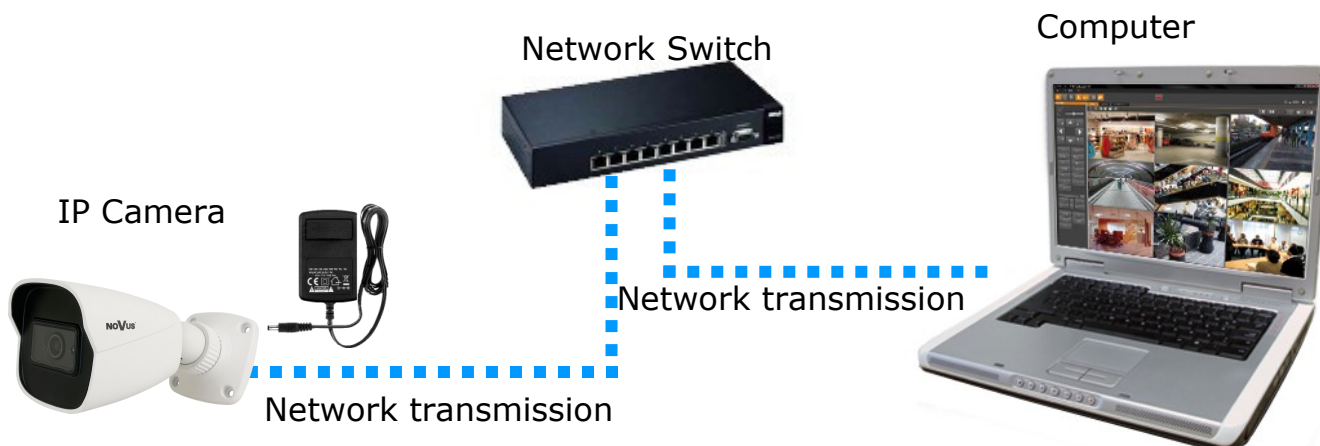
The recommended way to start an IP camera and perform its configuration is a direct connection to the network switch which is not connected to other devices. To obtain further information about network configuration parameters (IP address, gateway, network mask, etc.) please contact your network administrator.

eng

- Connection using network switch with PoE support

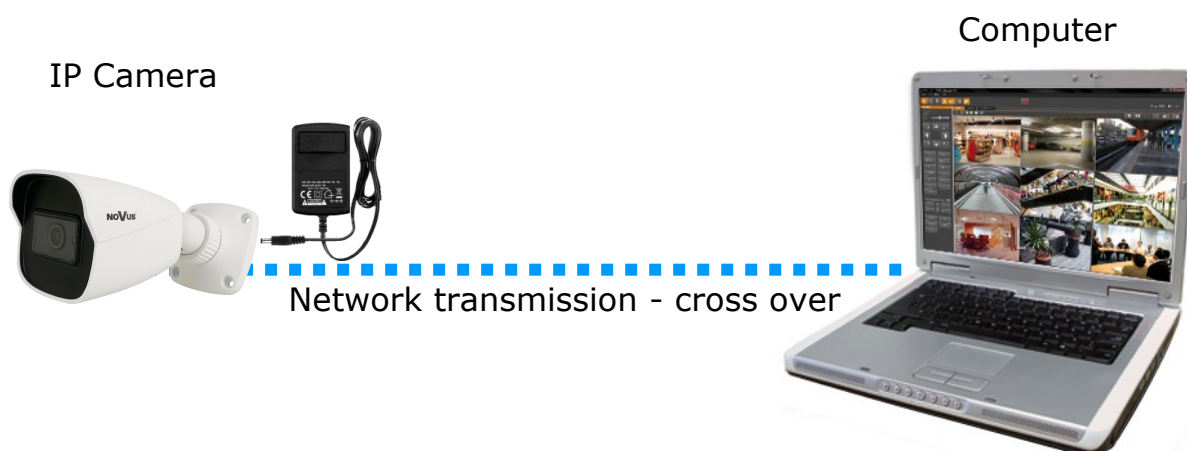


- Connection using external power supply and network switch



## START-UP AND INITIAL CAMERA CONFIGURATION

- Connection using external power supply directly to the computer



### *Information:*

*Power supply adapter is not included. Please use power adapter with parameters specified in user 's manual.*

### **2.5. Initial configuration via the web browser**

The default network settings for NVIP-2H-6231-II camera are :

1. IP address= **192.168.1.200**
2. Network mask - **255.255.255.0**
3. Gateway - **192.168.1.1**
4. User name - **root**
5. Password - **pass**

Knowing the camera's IP address you need to appropriately set PC IP address, so the two devices can operate in one network subnet ( e.g. for IP 192.168.1.1, appropriate address for the camera ranges from 192.168.1.2 to 192.168.1.254, for example 192.168.1.60). It is not allowed to set the same addresses for camera and PC computer.

You can either set a network configuration (IP address, gateway, net mask, etc.) of NOVUS IP camera yourself or select DHCP mode (DHCP server is required in this method in target network) by using web browser or by NMS software. When you use DHCP server check IP address lease and its linking with camera MAC address to avoid changing or losing IP address during device operation or network/DHCP server breakdown. You have to remember to use a new camera IP address after changing network parameters.

After network setting configuration has been done, the camera can be connected to a target network.

## START-UP AND INITIAL CAMERA CONFIGURATION

---

---

### 2.6. Security recommendations for network architecture and configuration

#### CAUTION!

**Below are shown security recommendations for network architecture and configuration of CCTV systems that are connected to the Internet to reduce the risk of unauthorized interference with the system by a third party.**

1. Absolutely change the default passwords and user names (if the device gives this possibility) of all applied network devices (recorders, cameras, routers, network switches, etc.) to the severely complexity password. Use lowercase and uppercase letters, numbers, and special characters if there is such possibility.
2. Depending on the available functionality in the order to restrict access to the used network devices at the administrator account level, it is recommended to configure the users accounts accordingly.
3. Do not use DMZ function (Demilitarized zone) in your router. Using that function you open the access to recorder system from the Internet on all ports, which gives possibility for an unauthorized interference with the system.

Instead of DMZ use port forwarding redirect only the ports which are necessary for the performance of the connection (detailed information about ports of communication in different models of recorders, cameras, etc. can be found in the operating instructions).

4. Use routers with firewall function and make sure it is enabled and properly configured.
5. It is recommended to change the default network communication port numbers of used devices if there is such possibility.
6. If used network devices has a UPnP feature and it is not used, turn it off.
7. If used network devices has a P2P feature and it is not used, turn it off.
8. If used network devices support HTTPS protocol for connection, it is recommended to use it.
9. If used network devices support IP filtering for authorized connections function, it is recommended to use it.
10. If used recorder has two network interfaces it is recommended to use both of them to physically separate network for cameras and network for Internet connection. The only device in the system, accessible from Internet will be recorder - there will be no physically access directly to any camera.

## NETWORK CONNECTION USING WEB BROWSER

### 3. NETWORK CONNECTION USING WEB BROWSER

#### 3.1. Recommended PC specification for web browser connections

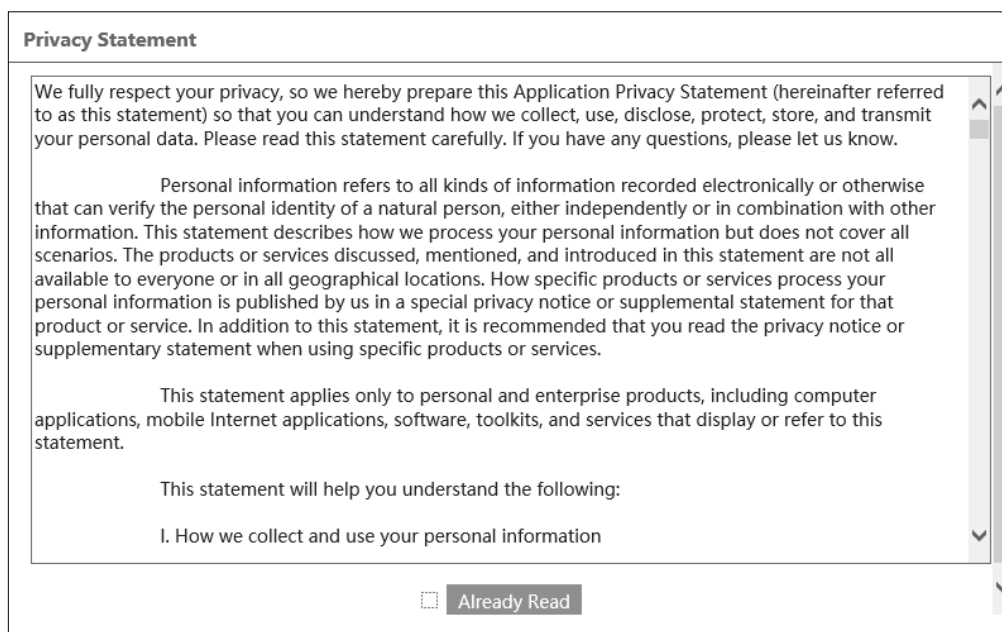
Requirements below apply to connection with an IP camera, assuming smooth image display in 1920 x 1080 resolution and 30 fps speed.

1. CPU **Intel i7 3 GHz**
2. **RAM Memory min. 6 GB**
3. **VGA card Nvidia GeForce 1GB**
4. **Operating System Windows 10**
5. **Network card 100/1000 Mb/s**

#### 3.2. Connection with IP camera via web browser

- Connecting to the camera for the first time

Enter the IP address of the camera (default **192.168.1.200**) in the address bar of the web browser. If the address is correct and the target device is currently available, the first connection window will be displayed. In this window, user should read the privacy statement and after reading it, select the checkbox next to the **Already Read** button, and press this button.



The acceptance of the privacy statement cannot be omitted. This window only appears the first time you log in, but it can be displayed again at any time.

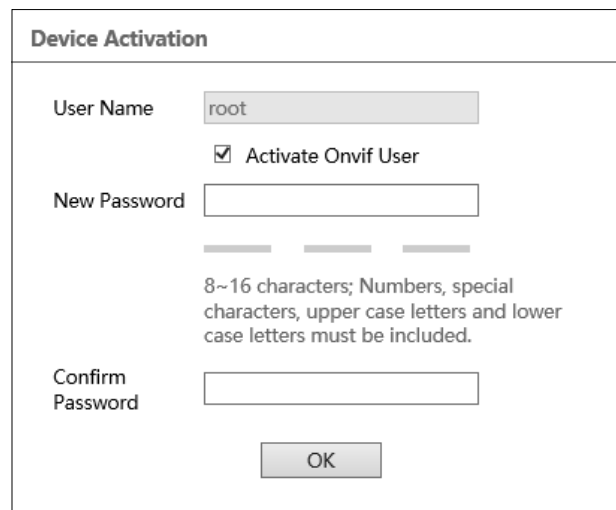
Access to the privacy statement can be found in the menu **Config > System > Basic information > Privacy statement**.

## NETWORK CONNECTION USING WEB BROWSER

- Device Activation

After accept privacy statement, device activate window appears. In this window user has to set a password for the **web account**.

Check the "Activate Onvif user" checkbox to change the password for the Onvif account to the same password as for the web account.



If the user assigns a new password during the device activation but does not check the "Activate Onvif User" checkbox, the Onvif account will remain with the default login data (login: *root* and password: *pass*).

The password can be up to 16 characters long. While password is entered strength of it displaying on an ongoing basis by the security level indicator. To ensure the good security of the password, use upper and lower case letters, numbers and special characters. After entering the correct password twice and confirming it with the **OK** button, the administrator password will be saved, the window will close and the login screen will be displayed.

- User accounts

**The Web account** is the administrator account created during the activation of the device. It means that the user logging in, by using the **root** login and a predefined password and have access to the full functionality and all available settings in the camera. The account is also used to log in to the camera via the 6000 series network recorders and NMS (Novus Management System) software using the LongPolling event method.

**The Onvif account** is an account used to log in to the camera via the NMS software (Novus Management System) or using the Onvif or the RTSP protocol. This account is created automatically during activation of the device, and the default login data are login: "root" and password: "pass".



For security reasons, immediately change the default password for the Onvif account after activating the device. It is recommended to set the same password in both accounts: the Onvif account and the web account.

## NETWORK CONNECTION USING WEB BROWSER

- Onvif account edition

In order to change the Onvif account password, after logging in, go to the **Settings** tab in the upper right corner and then **Network > Onvif**.

In the **Onvif** tab, click the **Modify** button, then in the **Edit User** window, enter the new password and confirm with **OK** button. If the connection to the camera via the NMS software is using the LongPolling event handling method, the same password for the Onvif account as for the Web account must be set in this step.

Config Home ▶ Network ▶ Advanced

Port Onvif DDNS SNMP 802.1X RTSP RTMP UPnP Email FTP HTTP POST HTTPS QoS

Add Modify Delete

Index	User Name	User Type
1	root	Administrator

In order to delete the Onvif account, select the user by clicking on the appropriate row in the table, then click **Delete** button. Please note that deleting Onvif account means that the camera cannot be added to NMS software. **Add** button is used to create new Onvif account.

- Logging in to the camera for the first time

**NOVUS**®

Name:

Password:

Stream Type: 1920x1080 25fps

Language: English

[Forget Password?](#)

In this window, in order to login to camera, enter the user name **root** and the newly set administrator password. In the **Stream type** field user can select the stream that is displayed in the live view window after login. The **Language** field allows to change the interface language. The **Forget Password** option allows to log in to the camera if you forget the administrator password and for this is required to know the answers to the security questions (set in the next step).

After entering appropriate data, click the **Login** button to login to the web panel of the camera.



## NETWORK CONNECTION USING WEB BROWSER

- Safety questions

The next step in logging in for the first time is entering answers to the security questions.

In the window that appears, select questions from among those available on the list and enter your own answers.

Knowing the right answers is essential to recovering the administrator password.

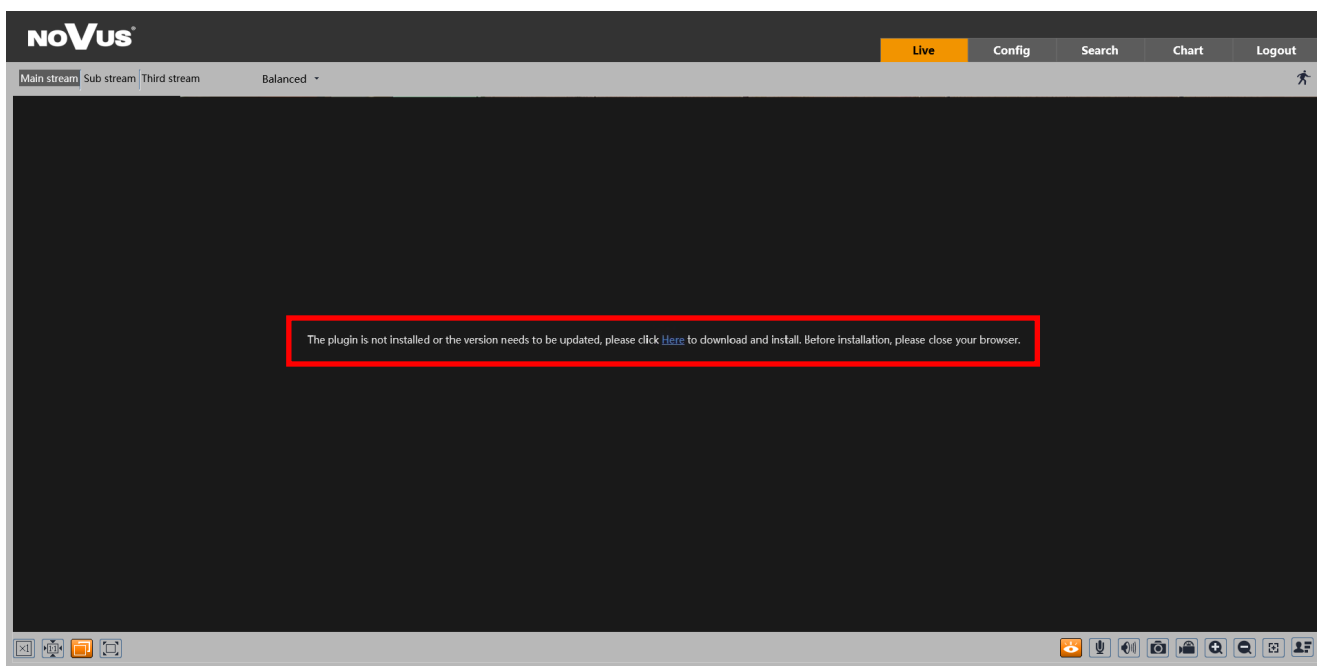
eng



This step cannot be omitted. The security question window is displayed only during the first login, and the only possibility to change the given answers is to restore the factory settings and go through all stages of the first connection with the camera.

- Plug-in installation

If the browser has no connected to any of the 6000 series cameras so far, or if an older version of the plug-in is installed, a message will be displayed in the remote viewing window that the appropriate plug-in version must be installed.



## NETWORK CONNECTION USING WEB BROWSER

---

---

The plugin is not installed or the version needs to be updated, please click [Here](#) to download and install. Before installation, please close your browser.

To start plug-in installation, click **Here** button. Then the browser displays a window asking how to proceed with the **NetAIIPCcamera.exe** file. Press the **Run** button to start the plug-in installer.

In the installer window, select the installation language (English by default) and then click **Install** button to install plug-in. After installation click the **Finish** button to close the installer and refresh the browser window (you can also close and restart the browser).

If after installation and browser window refresh, the same text appears on the screen, go to the browser **Tools** (the gearwheel icon in the top right corner), then click **Menage add-ons**. In the window that appears click right mouse button on the **NetAIIPCcamera Control**, then click the **Enable** option and refresh the browser window.

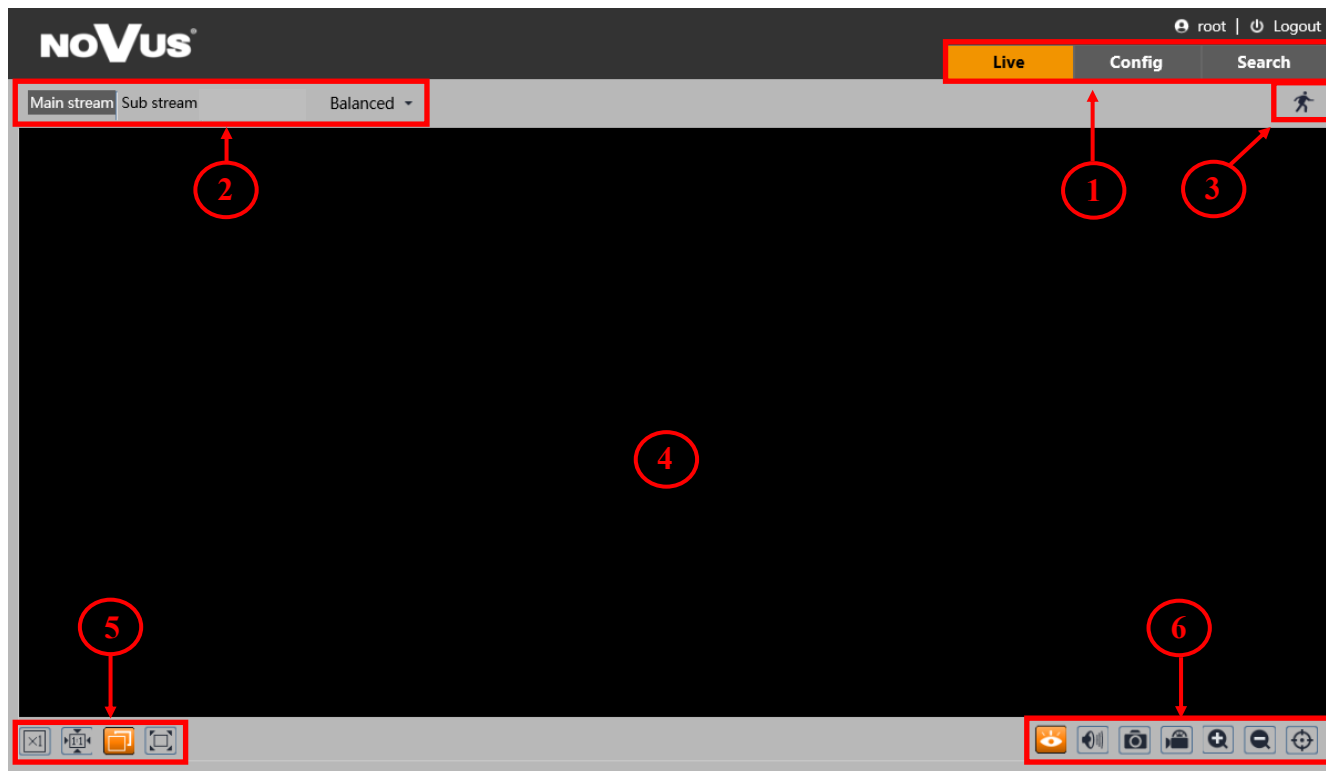
After completion all of the above steps, preview of the camera in the live view window should appear.

eng

## WWW INTERFACE - WORKING WITH IP CAMERA

### 4. WWW INTERFACE - WORKING WITH IP CAMERA

#### 4.1 Displaying live video



eng

#### 1. Camera menu:

- *Live* - opens the camera live video,
- *Config* - opens the camera configuration menu,
- *Search* - opens the camera playback.

#### 2. The buttons for changing the displayed stream and fluency:

- Allow to change the displayed stream to Main stream, Sub stream.
- Allow you to choose between *Real-time*, *Balanced* and *Fluent* fluency.

#### 3. Alarm icons - icons showing the current status of some camera alarms.

#### 4. Live video window

#### 5. Image settings buttons - these buttons change the picture display mode in the live video preview



Original size



Adapt










Proper size



Full screen

## WWW INTERFACE - WORKING WITH IP CAMERA

### 6. Function buttons:

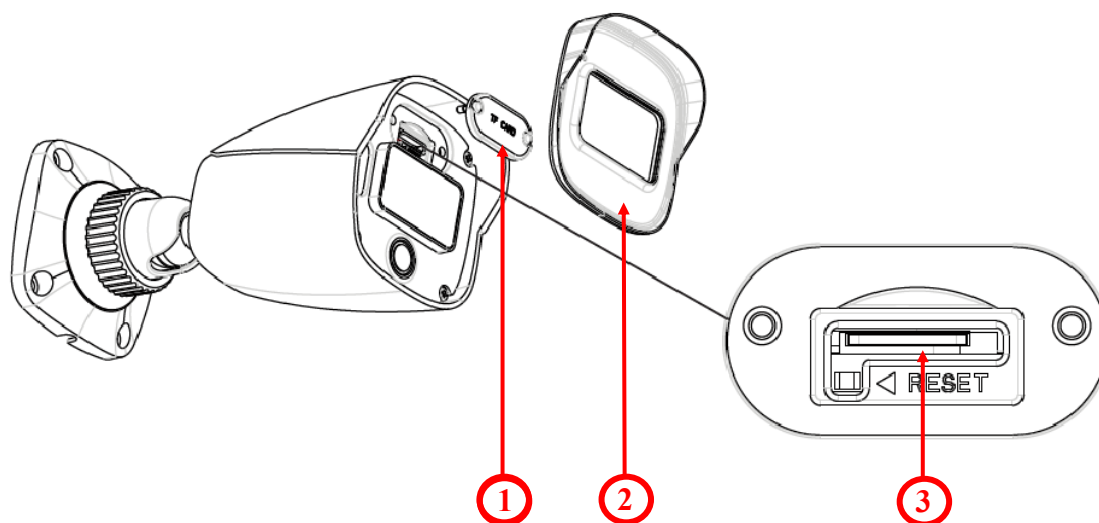
- |   |  |
|---|--|
|  Start/stop live view                                      |  Enable/disable audio |
|  Snapshot  |  Start Recording      |
|  Zoom In (digital)   |  Zoom out (digital)   |
|  Enable/disable graphical representation of image analysis |  |

## 5. ELECTRIC CONNECTORS AND ACCESORIES

### 5.1. MicroSD card installation

Camera supports microSD cards up to a maximum size of 256 GB. In order to install the card properly, please follow the instructions below:

- Turn off the camera power.
- Remove the plastic cover (2), unscrew the camera service panel (1).
- Mount microSD card in the socket (3).
- Screw the camera service panel (1) and put on the plastic cover (2).
- Turn on the camera.
- Check the microSD card by checking its capacity in the “System” -> “SD Card” tab.



## FACTORY SETTINGS RESTORING

### 6. FACTORY SETTINGS RESTORING

Restoring factory settings of the IP camera restores all default settings. This process takes about two minutes. NOVUS NVIP-2H-6231-II cameras allow to restore defaults via:


- software (via web browser )
- software (via NMS IPTool)
- hardware (using reset button (*RST*))

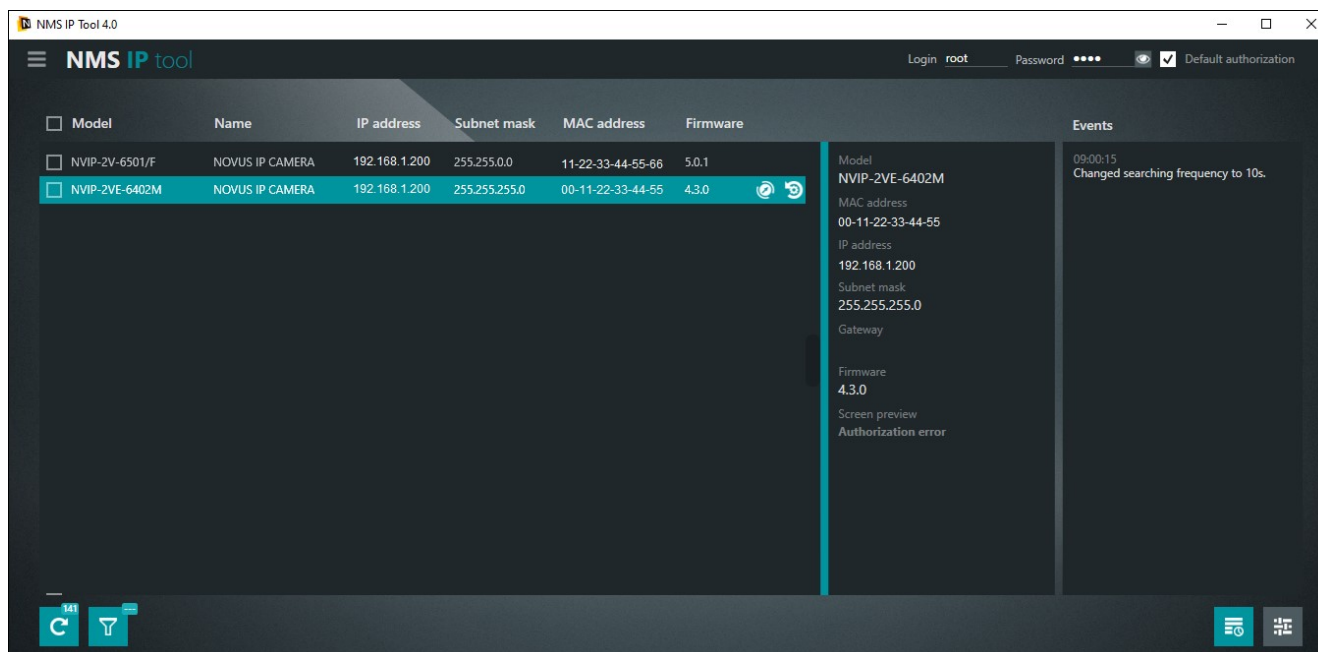
eng

#### 6.1. Software factory settings restoring via web browser

Restoring factory settings via web browser allows you to optionally keep some settings, such as network settings. To restore default settings go to: “Maintenance -> Backup and Restore” tab.

#### 6.2. Software factory settings restoring via NMS IPTool

NMS IPTool (version 3.5 or later) allows to restore factory settings. To restore settings via NMS IPTool, find the camera in the list of available devices and then, on the right side of the row click . Then within 30 seconds disconnect power of the camera. After reconnecting the camera, all settings are factory default.



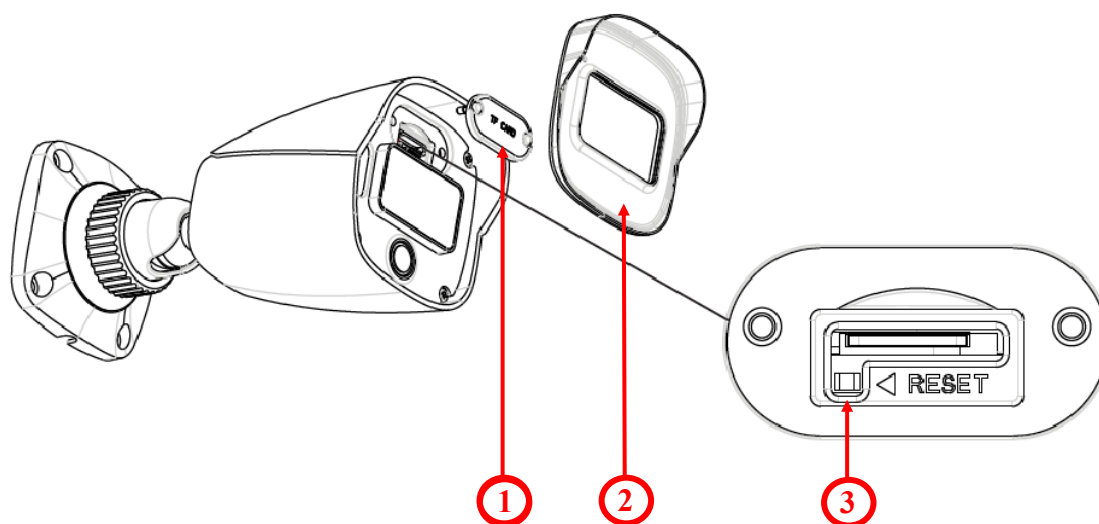
## FACTORY SETTINGS RESTORING

---

### 6.3. Hardware factory settings restoring

In order to restore factory settings using reset button (*RST*), please follow the instructions below:

- Remove the plastic cover (2), unscrew the camera service panel (1).
- Press the reset button (3) and hold on for 10 seconds.
- Release button
- Screw the camera service panel (1) and put on the plastic cover (2).
- Log on after 2 minutes using default IP address (<http://192.168.1.200>) and default user name (**root**) and password (**pass**).





**noVus<sup>®</sup>**

**AAT SYSTEMY BEZPIECZEŃSTWA Sp. z o.o.**  
431 Pulawska St., 02-801 Warsaw, Poland  
tel.: +4822 546 0 546, kontakt@aat.pl  
[www.novuscctv.com](http://www.novuscctv.com)

2022-06-27 PF



# Skrócona instrukcja obsługi



pl

**NVIP-2H-6231-II**

**NVIP-2H-6231-II/7043**

**NOVUS<sup>®</sup>**

## UWAGI I OSTRZEŻENIA

---

---

### PRODUKT SPEŁNIA WYMAGANIA ZAWARTE W DYREKTYWACH:



**DYREKTYWA PARLAMENTU EUROPEJSKIEGO I RADY 2014/30/UE z dnia 26 lutego 2014 r.** w sprawie harmonizacji ustawodawstw państw członkowskich odnoszących się do kompatybilności elektromagnetycznej (Dz.U. L 096 z 29.3.2014, s. 79-106, z późniejszymi zmianami) – zwana Dyrektywą EMC.



**DYREKTYWA PARLAMENTU EUROPEJSKIEGO I RADY 2012/19/UE z dnia 4 lipca 2012 r.** w sprawie zużytego sprzętu elektrycznego i elektronicznego WEEE (Dz.U. L 96 z 29.3.2014, str. 79-106, z późniejszymi zmianami) – zwana Dyrektywą WEEE.



**DYREKTYWA PARLAMENTU EUROPEJSKIEGO I RADY 2011/65/UE z dnia 8 czerwca 2011 r.** w sprawie ograniczenia stosowania niektórych niebezpiecznych substancji w sprzęcie elektrycznym i elektronicznym (Dz.U. L 174 z 1.7.2011, str. 88-110, z późniejszymi zmianami) - zwana Dyrektywą RoHS.

**DYREKTYWA DELEGOWANA KOMISJI (UE) 2015/863 z dnia 31 marca 2015 r.** zmieniająca załącznik II do dyrektywy Parlamentu Europejskiego i Rady 011/65/UE w odniesieniu do wykazu substancji objętych ograniczeniem (Dz. U. z 3 stycznia 2017).

**DYREKTYWA PARLAMENTU EUROPEJSKIEGO I RADY (UE) 2017/2102 z dnia 15 listopada 2017 r.** zmieniająca dyrektywę 2011/65/UE w sprawie ograniczenia stosowania niektórych niebezpiecznych substancji w sprzęcie elektrycznym i elektronicznym (Dz. U. z 10 lipca 2019).

### Informacja

Urządzenie, jako element profesjonalnego systemu telewizji dozorowej służącego do nadzoru i kontroli, nie jest przeznaczone do samodzielnego montażu w gospodarstwach domowych przez osoby nie posiadające specjalistycznej wiedzy.

### Wyłączenie odpowiedzialności w przypadku uszkodzenia danych zawartych na dysku lub innych urządzeniach:

Producent nie ponosi odpowiedzialności w razie uszkodzenia lub utraty w trakcie eksploatacji Produktu danych zawartych na dyskach lub innych urządzeniach.

### Obowiązek konsultowania się z Producentem przed wykonaniem czynności nieprzewidzianej instrukcją obsługi albo innymi dokumentami:

Przed wykonaniem czynności, która nie jest przewidziana dla danego Produktu w instrukcji obsługi, innych dokumentach dołączonych do Produktu lub nie wynika ze zwykłego przeznaczenia Produktu, należy, pod rygorem wyłączenia odpowiedzialności Producenta za następstwa takiej czynności, skontaktować się z Producentem.



Zamieszczone w niniejszej publikacji zdjęcia przedstawiające obrazy z kamer mogą być symulacjami. Rzeczywiste obrazy z kamer mogą się różnić, w zależności od typu, modelu, ustawień, obszaru obserwacji lub warunków zewnętrznych.

## WARUNKI BEZPIECZEŃSTWA

---

---

### UWAGA!

ZNAJOMOŚĆ NINIEJSZEJ INSTRUKCJI JEST NIEZBĘDNYM WARUNKIEM PRAWIDŁOWEJ EKSPLOATACJI URZĄDZENIA. PROSIMY O ZAPOZNANIE SIĘ Z NIM PRZED PRZYSTĄPIENIEM DO INSTALACJI I OBSŁUGI REJESTRATORA.

### UWAGA!

NIE WOLNO DOKONYWAĆ ŻADNYCH SAMODZIELNYCH NAPRAW. WSZYSTKIE NAPRAWY MOGĄ BYĆ REALIZOWANE JEDYNIEM PRZEZ WYKWALIFIKOWANYCH PRACOWNIKÓW SERWISU.

1. Przed zainstalowaniem i rozpoczęciem eksploatacji należy dokładnie zapoznać się z niniejszą instrukcją obsługi i zawartymi w niej wymogami bezpieczeństwa;
2. Uprasza się o zachowanie instrukcji na czas eksploatacji kamery na wypadek konieczności odniesienia się do zawartych w niej treści;
3. Należy skrupulatnie przestrzegać wymogów bezpieczeństwa opisanych w instrukcji, gdyż mają one bezpośredni wpływ na bezpieczeństwo użytkowników i trwałość oraz niezawodność urządzenia;
4. Wszystkie czynności wykonywane przez instalatorów i użytkowników muszą być realizowane zgodnie z opisem zawartym w instrukcji;
5. W czasie czynności konserwatorskich urządzenie musi być odłączone od zasilania;
6. Nie wolno stosować żadnych dodatkowych urządzeń lub podzespołów nie przewidzianych i nie zalecanych przez producenta;
7. Nie wolno używać kamery w środowisku o dużej wilgotności (np. w pobliżu basenów, wani, w wilgotnych piwnicach);
8. Nie należy instalować tego urządzenia w miejscu, gdzie nie można zapewnić właściwej wentylacji (np. zamknięte szafki, itp.), co powoduje zatrzymanie się ciepła i w konsekwencji może doprowadzić do uszkodzenia;
9. Nie wolno umieszczać kamery na niestabilnych powierzchniach. Kamera musi być instalowana przez wykwalifikowany personel o odpowiednich uprawnieniach według zaleceń podanych w niniejszej instrukcji;
10. Urządzenie może być zasilane jedynie ze źródeł o parametrach zgodnych ze wskazanymi przez producenta w danych technicznych serwera wideo. Dlatego też, zabrania się zasilania kamery ze źródeł o nieznanym, niestabilnym lub niezgodnym z wymaganiami określonymi przez producenta parametrach;

*Ponieważ produkt jest stale ulepszany i optymalizowany niektóre parametry i funkcje opisane w załączonej instrukcji mogły ulec zmianie.*

*Prosimy o zapoznanie się z najnowszą instrukcją obsługi znajdującą się na stronie [www.novuscctv.com](http://www.novuscctv.com) Instrukcja obsługi znajdującą się na stronie [www.novuscctv.com](http://www.novuscctv.com) jest zawsze najbardziej aktualną wersją.*

## SPIS TREŚCI

---

---

<b>SPIS TREŚCI</b> .....	4
<b>1. INFORMACJE WSTĘPNE</b> .....	5
1.1. Charakterystyka ogólna .....	5
1.2. Dane techniczne .....	6
1.3. Wymiary kamery .....	7
1.4. Zawartość opakowania .....	7
<b>2. URUCHAMIANIE I WSTĘPNA KONFIGURACJA KAMERY IP</b> .....	8
2.1. Opis złączy elektrycznych oraz elementów regulacyjnych .....	8
2.2. Podłączenie kabla sieciowego .....	9
2.3. Podłączenie zasilania .....	9
2.3. Montaż kamery .....	10
2.4. Uruchomienie kamery IP .....	11
2.5. Konfiguracja parametrów przy użyciu przeglądarki internetowej .....	12
2.6. Zalecenia dotyczące bezpieczeństwa sieci .....	13
<b>3. POŁĄCZENIA SIECIOWE ZA POMOCĄ PRZEGLĄDARKI WWW</b> .....	14
3.1. Zalecana konfiguracja komputera PC do połączeń przez przeglądarkę WWW .....	14
3.2. Połączenie sieciowe z kamerą IP za pomocą przeglądarki internetowej .....	14
<b>4. INTERFEJS WWW - PRACA Z KAMERĄ</b> .....	19
4.1. Wyświetlanie obrazu na żywo .....	19
<b>5. POŁĄCZENIA ELEKTRYCZNE I ZŁĄCZA AKCESORIÓW</b> .....	20
5.1. Instalacja karty Micro SD .....	20
<b>6. PRZYWRACANIE USTAWIEŃ FABRYCZNYCH KAMERY</b> .....	21
6.1. Programowe przywracanie ustawień fabrycznych kamery .....	21
6.2. Przywracanie ustawień fabrycznych z poziomu NMS IPTool .....	21
6.3. Sprzętowe przywracanie ustawień fabrycznych kamery .....	22

## INFORMACJE WSTĘPNE

---

---

### 1. INFORMACJE WSTĘPNE

#### 1.1. Charakterystyka ogólna

- Rozdzielczość przetwornika: 2.0 megapiksele
- Mechaniczny filtr podczerwieni (możliwość pracy w podczerwieni)
- Czułość od 0 lx przy włączonym oświetlaczu IR
- Szeroki zakres dynamiki (WDR) - funkcja poprawiająca jakość obrazu dla różnych poziomów oświetlenia sceny
- Cyfrowa redukcja szumu ( DNR )
- Redukcja efektu oślepienia kamery (HLC)
- Kompensacja tylnego światła (BLC)
- Redukcja migotania obrazu (Antiflicker)
- Obiektyw stałogniskowy f=2.8mm/F1.6
- Wbudowany oświetlacz podczerwieni
- Wbudowany webserwer: możliwość konfiguracji kamery przez przeglądarkę
- Kompresja H.264, H.265, H.264+, H.265+, MJPEG / G.711
- Rozdzielczość przetwarzania wideo do 1920 x 1080
- Możliwość definiowania kompresji, rozdzielczości, prędkości i jakości dla każdego strumienia
- Obszar obserwacji ROI
- Detekcja ruchu
- Strefy prywatności
- Przesyłanie wideo w standardzie RTSP
- Funkcja harmonogramu
- Wspieranie obsługi karty Micro SD, pojemność do 256 GB
- Możliwość szerokiego definiowania reakcji systemu na zdarzenia alarmowe: e-mail z załącznikiem, zapis pliku na serwer FTP, zapis zdjęcia na karcie SD
- Elektroniczna migawka od 1/3 s do 1/100000 s.
- Obsługa do 2 strumieni
- Wsparcie protokołu ONVIF
- Oprogramowanie: NMS (NOVUS MANAGEMENT SYSTEM) - do rejestracji wideo, podglądu „na żywo”, odtwarzania oraz zdalnej konfiguracji urządzeń wideo IP
- Zasilanie 12 VDC / PoE

## INFORMACJE WSTĘPNE

### 1.2. Dane techniczne

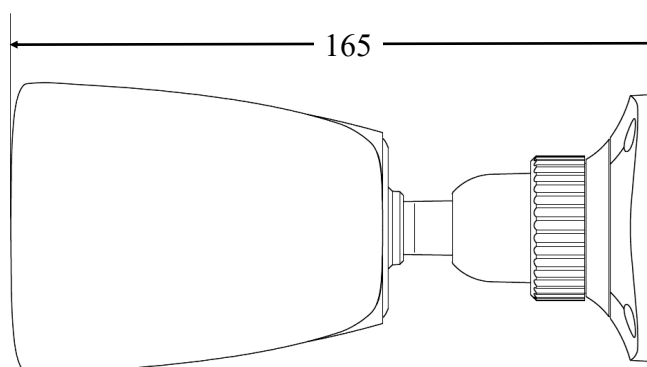
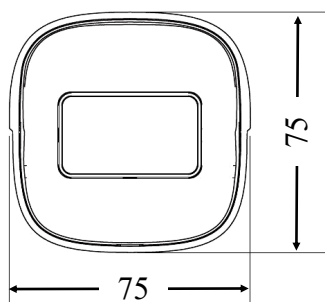
<b>OBRAZ</b>	
Przetwornik obrazu	2 MPX, matryca CMOS, 1/2.8", SmartSens
Liczba efektywnych pikseli	1920 (H) x 1080 (V)
Czułość	0.008 lx/F1.6 - tryb kolorowy, 0 lx (IR wł.) - tryb czarno-biały
Elektroniczna migawka	automatyczna: 1/3 s ~ 1/100000 s
Wydłużona migawka (DSS)	do 1/3 s
Szeroki zakres dynamiki (WDR)	tak
Cyfrowa redukcja szumu (DNR)	3D
Redukcja efektu oślepienia kamery (HLC)	tak
Kompensacja tylnego światła (BLC)	tak
Redukcja migotania obrazu (Antiflicker)	tak
<b>OBIEKTYW</b>	
Typ obiektywu	stałogniskowy, f=2.8 mm/F1.6
<b>DZIEŃ/NOC</b>	
Rodzaj przełączania	mechaniczny filtr podczerwieni
Tryb przełączania	automatyczny, manualny, czasowy
Regulacja poziomu przełączania	tak
Opóźnienie przełączania	2 ~ 120 s
Harmonogram przełączania	tak
Czujnik światła widzialnego	tak
<b>SIEĆ</b>	
Rozdzielczość strumienia wideo	1920 x 1080 (Full HD), 1280 x 720 (HD), 640 x 480 (VGA), 320 x 240 (QVGA)
Prędkość przetwarzania	30 kl/s dla 1920 x 1080 (Full HD) i niższych rozdzielczości
Tryb wielostrumieniowy	2 strumienie
Kompresja wideo/audio	H.264, H.264+, H.265, H.265+, MJPEG/G.711
Liczba jednoczesnych połączeń	maks. 3
Przepustowość	łącznie 9 Mb/s
Obsługiwane protokoły sieciowe	HTTP, IPv4, IPv4/v6, UDP, HTTPS, FTP, DHCP, DDNS, NTP, RTSP, RTP, UPnP, SNMP, QoS, IEEE 802.1X, PPPoE, SMTP, RTCP
Wsparcie protokołu ONVIF	Profile S
Konfiguracja kamery	z poziomu przeglądarki Internet Explorer języki: polski, angielski, rosyjski, i inne
Kompatybilne oprogramowanie	NMS, N Control 6000
Aplikacje mobilne	SuperLive Plus (iPhone, Android)
<b>POZOSTAŁE FUNKCJE</b>	
Strefy prywatności	4 typu kolor
Detekcja ruchu	tak
Obszar obserwacji (ROI)	8
Analiza obrazu	sabotaż, pozostawienie obiektu, zniknięcie obiektu, przekroczenie linii, zmiana sceny, utrata ostrości, zmiana kolorystyki, wtargnięcie
Obróbka obrazu	wyostrzanie, odbicie lustrzane, przerzucenie obrazu w pionie, przerzucenie obrazu w poziomie
Prealarm/postalarm	do 6 s/do 120 s
Reakcja na zdarzenia alarmowe	e-mail, e-mail z załącznikiem, zapis na FTP, zapis na kartę SD
Przywracanie ustawień fabrycznych	z poziomu przeglądarki internetowej, za pomocą przycisku reset, za pomocą oprogramowania NMS IPTool

**INFORMACJE WSTĘPNE**

<b>OŚWIETLACZ IR</b>	
Liczba LED	1
Zasięg	30 m
Smart IR	tak (wsparcie programowe)
<b>INTERFEJSY</b>	
Wejścia/wyjścia audio	1 x Jack (3.5 mm)/-
Interfejs sieciowy	1 x Ethernet - złącze RJ-45, 10/100 Mbit/s
Gniazdo kart pamięci	microSD - pojemność do 256GB
<b>PARAMETRY INSTALACYJNE</b>	
Wymiary (mm)	z uchwytem: 75 (szer.) x 75 (wys.) x 165 (dł.)
Masa	0.4 kg
Klasa szczelności	IP 67 (szczegóły w instrukcji obsługi)
Obudowa	aluminiowa, w kolorze białym lub szarym (NVIP-2H-6231-II), uchwyt ścienny z przepustem kablowym w zestawie, stopień ochrony IK10
Zasilanie	PoE, 12 VDC
Zabezpieczenia przeciwprzepięciowe	TVS 4000 V
Pobór mocy	3 W, 5.5 W (IR wł.)
Temperatura pracy	-30°C ~ 60°C
Wilgotność	maksymalnie 95%, względna (bez kondensacji)

**1.3. Wymiary kamery (mm)**

Kamera NVIP-2H-6231-II

**1.4. Zawartość opakowania**

Po otwarciu należy upewnić się czy w opakowaniu znajdują się następujące elementy:

- Kamera IP
- Torebka z akcesoriami montażowymi
- Skrócona instrukcja obsługi.

Jeżeli którykolwiek z elementów został uszkodzony w transporcie, należy spakować zawartość z powrotem do oryginalnego opakowania i skontaktować się z dostawcą.

**UWAGA:**

**Zabronione jest stosowanie jako źródło zasilania kamery urządzeń (zasilacze, adaptory itp.) PoE niezgodnych ze standardem IEEE 802.3af, potocznie nazywanych „pasywne zasilacze PoE”. Uszkodzenia wynikłe ze stosowania nieodpowiednich źródeł zasilania nie podlegają gwarancji.**

## URUCHAMIANIE I WSTĘPNA KONFIGURACJA KAMERY IP

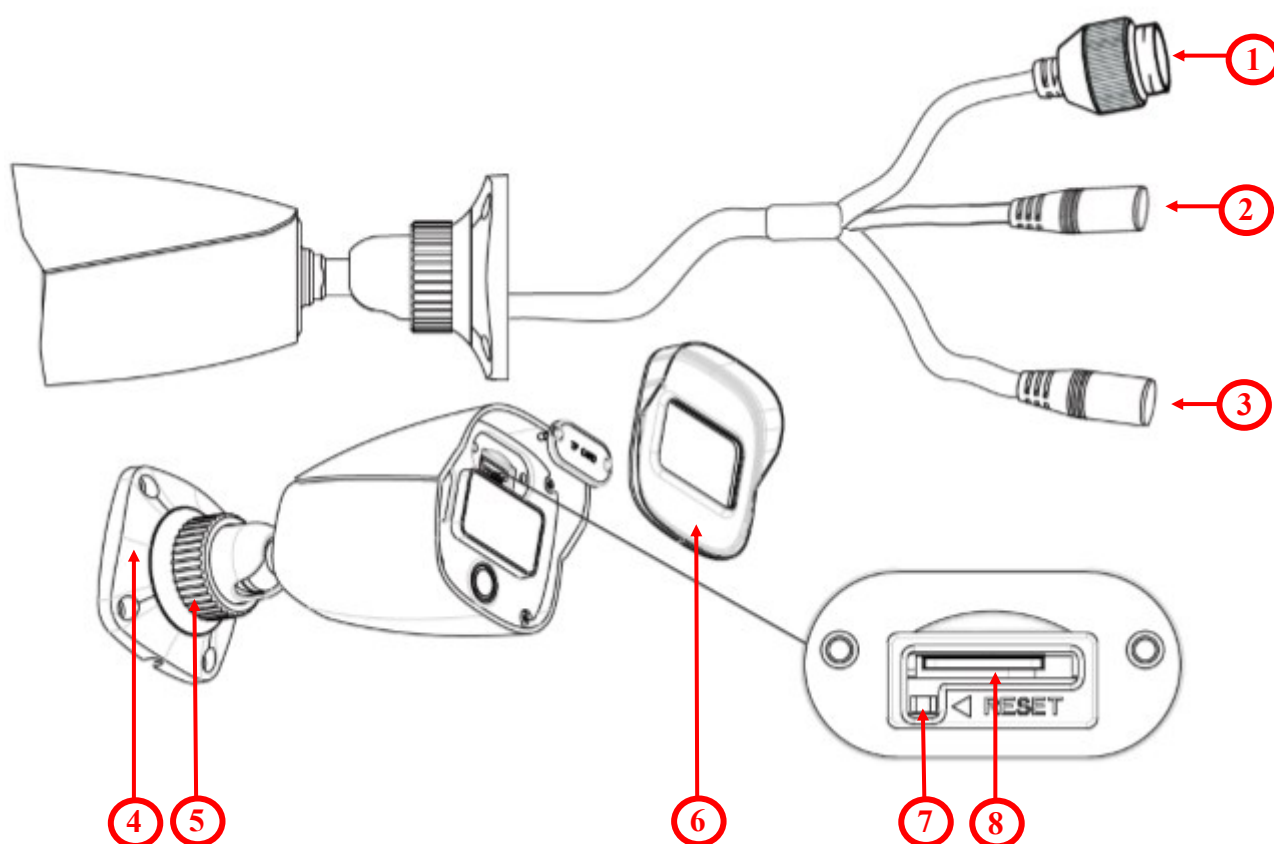
### 2. URUCHAMIANIE I WSTĘPNA KONFIGURACJA KAMERY IP

#### UWAGA:

Jeżeli urządzenie przyniesione zostało z pomieszczenia o niższej temperaturze należy odczekać aż osiągnie temperaturę pomieszczenia, w którym ma pracować. Nie wolno włączać urządzenia bezpośrednio po przyniesieniu z chłodniejszego miejsca. Kondensacja zawartej w powietrzu pary wodnej może spowodować zwarcia i w konsekwencji uszkodzenie urządzenia.

Przed uruchomieniem urządzenia należy zapoznać się z opisem i rolą poszczególnych wejść, wyjść oraz elementów regulacyjnych, w które wyposażone są kamery.

#### 2.1 Opis złączy elektrycznych oraz elementów regulacyjnych



1. Złącze Ethernet 100 Mbit/s (gniazdo PoE RJ-45)
2. Wejście audio (Jack 3.5 mm)
3. Złącze zasilania kamery 12VDC
4. Podstawa kamery
5. Nakrętka kontrująca obudowy
6. Plastikowa osłona
7. Przycisk reset
8. Gniazdo karty micro SD

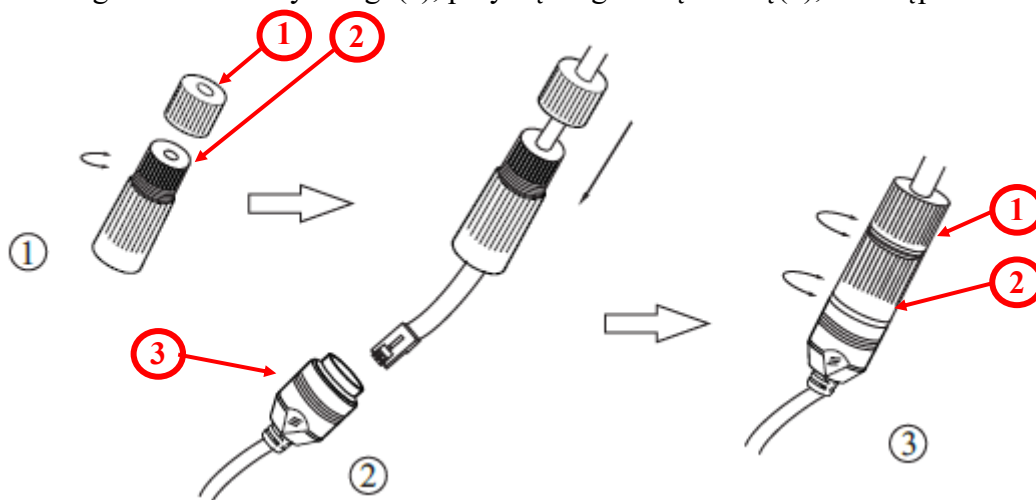


## URUCHAMIANIE I WSTĘPNA KONFIGURACJA KAMERY IP

### 2.2. Podłączenie kabla sieciowego

Aby zachować hermetyczność połączenia kabla sieciowego należy postępować zgodnie z poniższą instrukcją:

1. Odkręcić nakrętkę (1) od głównego elementu zabezpieczającego (2).
2. Poprowadzić kabel sieciowy (bez końcówki) przez oba elementy. Po przełożeniu kabla zaciśnąć końcówkę RJ-45.
3. Podłączyć kabel do gniazda hermetycznego(3), przykręcić główną osłonę(2), a następnie nakrętkę(1)



Deklarowana klasa szczelności kamery dotyczy jej obudowy i nie uwzględnia możliwości wnikania wilgoci do wnętrza kamery poprzez przewody przyłączeniowe. Zabezpieczenie przewodów poprzez np. uszczelnienie ich odpowiednią masą jest obowiązkiem osoby instalującej kamerę. Producent nie ponosi odpowiedzialności za wszelkie szkody, uszkodzenia kamery powstałe w skutek niedopełnienia w/w obowiązku co jednocześnie oznacza, iż nie podlegają one naprawom gwarancyjnym.

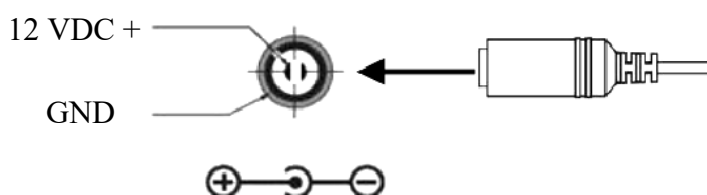
#### UWAGA:

Pozostałe złącza kamery nie są hermetyczne. Użytkownik powinien zapewnić ich szczelność we własnym zakresie.

### 2.3 Podłączenie zasilania

Kamera może być zasilana przez zewnętrzny zasilacz o parametrach zgodnych z zasilaniem kamery lub przez gniazdo sieciowe RJ45 przy wykorzystaniu technologii PoE (IEEE 802.3af). Do zasilania kamery poprzez PoE należy użyć przełącznika sieciowego lub zasilacza PoE zgodnego ze standardem IEEE 802.3af

Schemat podłączenia zasilania 12 VDC



#### UWAGA:

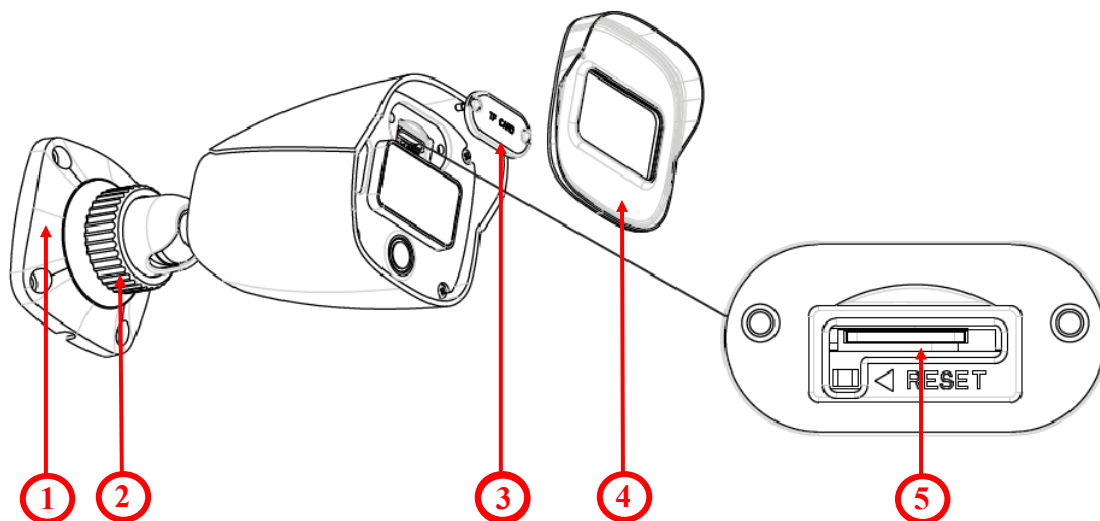
W celu ochrony kamery przed uszkodzeniem zalecane jest zastosowanie zabezpieczeń przepięciowych. Awarie powstałe w wyniku przepięć nie podlegają naprawie gwarancyjnej.

## URUCHAMIANIE I WSTĘPNA KONFIGURACJA KAMERY IP

### 2.3. Montaż kamery

W celu zamontowania kamery należy postępować zgodnie z podaną procedurą:

- Odkręcić nakrętkę blokującą podstawę (2)
- Wzorując się na położeniu otworów w podstawie kamery oraz korzystając z szablonu montażowego, zaznaczyć punkty pod przyszłe otwory mocujące i przepust kablowy.
- Wywiercić otwory montażowe i otwór pod kabel sygnałowy w miejscu podłączenia.
- Zamocować podstawę kamery (1) przy użyciu załączonych kołków i wkrętów.
- W razie potrzeby, zdjąć plastikową osłonę (4), odkręcić klapkę (3) umieszczoną na kamerze, włożyć kartę pamięci (5), założyć plastikową osłonę (4) i przykręcić klapkę (3).
- Podłączyć przewody kamery.
- Dokonać regulacji położenia kamery.
- Dokręcić do oporu nakrętkę blokującą podstawę (2)



#### UWAGA!

Należy zwrócić szczególną uwagę, aby powierzchnia do której mocowany jest uchwyt i kamera miała odpowiednią nośność.

#### UWAGA:

W celu zapewnienia deklarowanej szczelności należy zabezpieczyć otwory montażowe i przepust kablowy. W przypadku instalacji na nierównych/chropowatych powierzchniach, okolice otworów montażowych kamery należy dodatkowo zabezpieczyć masą uszczelniającą.

## URUCHAMIANIE I WSTĘPNA KONFIGURACJA KAMERY IP

### 2.4. Uruchomienie kamery IP

W celu uruchomienia kamery należy podłączyć kabel ethernetowy do gniazda sieciowego RJ45 kamery IP, a drugi koniec do przełącznika sieciowego PoE (IEEE 802.3af).

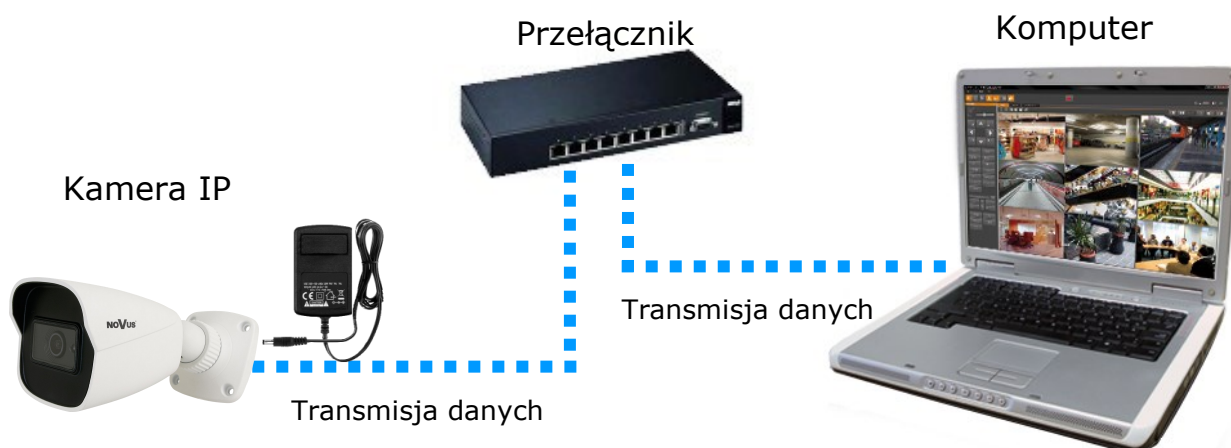
Możliwe jest również zasilanie kamery z zewnętrznego stabilizowanego zasilacza o parametrach spełniających wymagania kamery.

Zalecaną metodą uruchomienia i konfiguracji kamery IP jest podłączenie jej do komputera PC lub laptopa w wydzielonym przełączniku PoE, do którego nie ma podłączonych innych urządzeń. W przypadku zasilania z zewnętrznego zasilacza wystarczy zastosować dowolny przełącznik sieciowy, lub kabel podłączony bezpośrednio do komputera. W celu uzyskania danych potrzebnych do konfiguracji sieci (adres IP, brama, maska sieci itd.) należy skontaktować się z administratorem sieci, w której urządzenie ma pracować.

- Połączenie wykorzystujące przełącznik sieciowy z PoE



- Połączenie wykorzystujące zewnętrzne zasilanie kamery i przełącznik sieciowy



## URUCHAMIANIE I WSTĘPNA KONFIGURACJA KAMERY IP

- Połączenie wykorzystujące zewnętrzne zasilanie kamery i kabel ethernetowy skrosowany



### Informacja:

Zasilacz zewnętrzny nie wchodzi w skład zestawu., należy się w niego zaopatrzyć we własnym zakresie.

### 2.5. Konfiguracja parametrów przy użyciu przeglądarki internetowej

Domyślne ustawienia sieciowe dla kamery NVIP-2H-6231-II to:

1. Adres IP = **192.168.1.200**
2. Maska sieci - **255.255.255.0**
3. Brama - **192.168.1.1**
4. Nazwa użytkownika - **root**
5. Hasło - **pass**

Znając adres IP kamery należy ustawić adres IP komputera w taki sposób aby oba urządzenia pracowały w jednej podsieci (dla adresu IP kamery 192.168.1.1 jako adres IP komputera PC możemy ustawić adres z zakresu 192.168.1.2 - 192.168.1.254, np.: 192.168.1.60). Niedopuszczalne jest ustawianie adresu komputera takiego samego jak adres kamery.

Wykorzystując połączenie przez przeglądarkę internetową Internet Explorer lub oprogramowanie NMS należy ustawić docelową konfigurację sieciową (adres IP, maskę sieci, bramę, serwery DNS) lub włączyć tryb pracy DHCP pozwalający na pobranie adresu IP z serwera DHCP (wymagany jest wówczas działający serwer DHCP). W przypadku korzystania z serwera DHCP należy upewnić się co do długości okresu dzierżawy adresu IP, jego powiązania z adresem MAC kamery IP w celu uniknięcia zmiany lub utraty adresu IP w czasie pracy urządzenia lub chwilowej awarii sieci / serwera DHCP. Należy pamiętać że po zmianie adresu IP kamera zostanie zresetowana i trzeba wpisać nowy adres w przeglądarce internetowej.

Po konfiguracji ustawień sieciowych pozwalających na bezkonfliktową pracę urządzenia, kamerę IP możemy podłączyć do sieci docelowej.

## URUCHAMIANIE I WSTĘPNA KONFIGURACJA KAMERY IP

---

---

### 2.6. Zalecenia dotyczące bezpieczeństwa sieci

#### UWAGA!

**Poniżej zostały przedstawione podstawowe zalecenia dotyczące budowy oraz konfiguracji systemów telewizji dozorowej podłączonych do sieci Internet, pozwalające ograniczyć ryzyko nieautoryzowanej ingerencji w system przez osoby trzecie.**

1. Bezwzględnie należy zmienić domyślne hasła dostępu oraz nazwy użytkowników (jeśli dane urządzenia dają taką możliwość) wszystkich zastosowanych urządzeń sieciowych (tzn. rejestratora, kamer, routerów, przełączników sieciowych itp.) na hasła o znacznym stopniu skomplikowania. W zależności od możliwości konfiguracji danego urządzenia zaleca się, aby hasło zawierało: małe litery, wielkie litery, cyfry oraz znaki specjalne.

2. W zależności od dostępnej funkcjonalności w celu ograniczenia dostępu do zastosowanych urządzeń sieciowych na poziomie konta administratora zaleca się odpowiednią konfigurację kont użytkowników.

3. Bezwzględnie zabronione jest wykorzystywanie funkcji DMZ (Demilitarized zone - strefa zdemilitaryzowana). Zastosowanie tej funkcji otwiera dostęp do systemu od strony sieci Internet na wszystkich możliwych portach, co w znacznym stopniu ułatwia ewentualną nieautoryzowaną ingerencję w system.

Zamiast wykorzystywania funkcji DMZ należy zastosować przekierowanie portów. Przekierowane powinny zostać jedynie porty niezbędne do realizacji połączenia (szczegółowych informacji na temat portów komunikacji w poszczególnych modelach rejestratorów, kamer itp. należy szukać w instrukcjach obsługi urządzeń).

4. Należy stosować routery wyposażone w funkcję zapory sieciowej (Firewall) oraz upewnić się że funkcja jest włączona oraz odpowiednio skonfigurowana.

5. Jeśli urządzenia sieciowe posiadają taką funkcjonalność zalecana jest zmiana domyślnych numerów portów wykorzystywanych do komunikacji sieciowej.

6. Jeśli urządzenia sieciowe posiadają funkcję UPnP i nie jest ona wykorzystywana, należy ją bezwzględnie wyłączyć.

7. Jeśli urządzenia sieciowe posiadają funkcję P2P i nie jest ona wykorzystywana, należy ją wyłączyć.

8. Jeśli urządzenia sieciowe obsługują protokół HTTPS do realizacji połączeń zaleca się jego stosowanie.

9. Jeśli urządzenia sieciowe obsługują funkcję filtracji adresów IP uprawnionych do nawiązywania połączenia zaleca się jej wykorzystywanie.

10. Jeśli zastosowany rejestrator sieciowy wyposażony jest w dwa interfejsy sieciowe zaleca się odseparowanie sieci do której podłączone są kamery od sieci posiadającej połączenie internetowe. Dzięki temu urządzeniem dostępnym z poziomu sieci Internet będzie rejestrator natomiast połączenie z kamerami nie będzie możliwe.

## POŁĄCZENIA SIECIOWE ZA POMOCĄ PRZEGLĄDARKI WWW

### 3 POŁĄCZENIA SIECIOWE ZA POMOCĄ PRZEGLĄDARKI WWW

#### 3.1. Zalecana konfiguracja komputera PC do połączeń przez przeglądarkę WWW

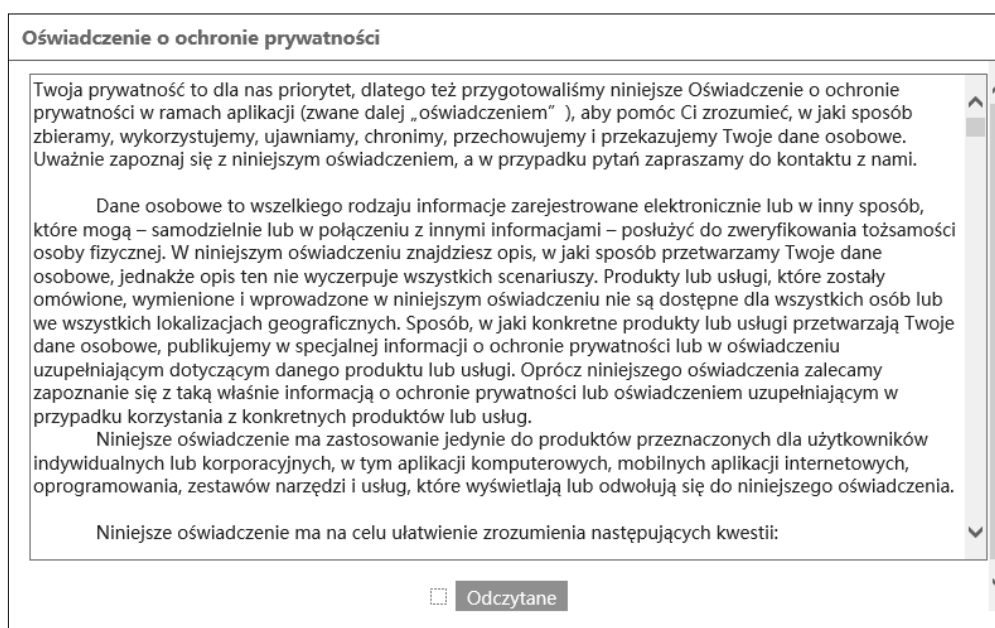
Poniższe wymagania dotyczą połączenia z kamerą IP przy założeniu płynnego wyświetlania obrazu wideo w rozdzielczości 1920 x 1080 dla 30 kl/s.

1. Procesor **Intel i7 3 GHz**
2. Pamięć **RAM min. 6 GB**
3. Karta grafiki **Nvidia GeForce 1GB**
4. System operacyjny **Windows 10**
5. Karta sieciowa **100/1000 Mb/s**

#### 3.2. Połączenie sieciowe z kamerą za pomocą przeglądarki internetowej

- Pierwsze połączenie się z kamerą

W pasku adresu przeglądarki WWW należy wpisać adres IP kamery (domyślnie **192.168.1.200**). Jeśli podany adres jest prawidłowy i docelowe urządzenie jest w danej chwili osiągalne, wyświetli się okno pierwszego połączenia. W tym oknie należy zapoznać się z oświadczeniem o ochronie prywatności i po przeczytaniu należy zaznaczyć pole wyboru obok przycisku **Odczytane**, oraz kliknąć ten przycisk.



Zaakceptowanie oświadczenia nie może być pominięte. Okno to wyświetla się tylko podczas pierwszego logowania, jednak może być wyświetlone ponownie w dowolnym momencie.

Dostęp do oświadczenia znajduje się w menu **Ustawienia > System > Informacje podstawowe > Oświadczenie o ochronie prywatności**.

## POŁĄCZENIA SIECIOWE ZA POMOCĄ PRZEGLĄDARKI WWW

- Aktywacja urządzenia

Po zaakceptowaniu oświadczenia o ochronie prywatności, wyświetli się okno aktywacji urządzenia. W tym oknie należy ustawić hasło dla konta administratora (*root*).

Zaznaczenie checkboxa „Aktywacja użytkownika Onvif” spowoduje zmianę hasła do konta Onvif na takie samo hasło jak do konta administratora.



Jeżeli użytkownik nada podczas aktywacji urządzenia nowe hasło, ale nie zaznaczy checkboxa „Aktywacja użytkownika Onvif” to konto Onvif zostanie z domyślnymi danymi logowania (login: *root* i hasło: *pass*).

Hasło może składać się z maksymalnie 16 znaków. Podczas wprowadzania nowego hasła, jego siła jest wskazywana na bieżąco przez wskaźnik poziomu bezpieczeństwa. Dla zapewnienia dużego bezpieczeństwa, należy zastosować małe i wielkie litery, cyfry i znaki specjalne. Po dwukrotnym prawidłowym podaniu hasła i zatwierdzeniu przyciskiem **OK** hasło (administratora) do konta webowego zostanie zapisane, okno zamknie się i wyświetli się ekran logowania.

- Konta użytkownika

**Konto Webowe** utworzone podczas aktywacji urządzenia jest kontem administratora kamery. Oznacza to, że użytkownik logując się do urządzenia przez przeglądarkę, loginem **root** i wcześniej ustalonym hasłem, będzie miał dostęp do pełnej funkcjonalności oraz wszystkich dostępnych w kamerze ustawień. Konto wykorzystywane jest również do logowania się do kamery z poziomu rejestratorów sieciowych serii 6000 oraz oprogramowania NMS (Novus Management System) w przypadku użycia metody obsługi zdarzeń LongPolling.

**Konto Onvif** to konto służące do logowania się do kamery podczas realizacji połączeń z poziomu oprogramowania NMS (Novus Management System) oraz z wykorzystaniem protokołu Onvif lub RTSP. Konto to jest tworzone automatycznie podczas aktywacji urządzenia, a domyślne dane logowania to login: „root” i hasło: „pass”.



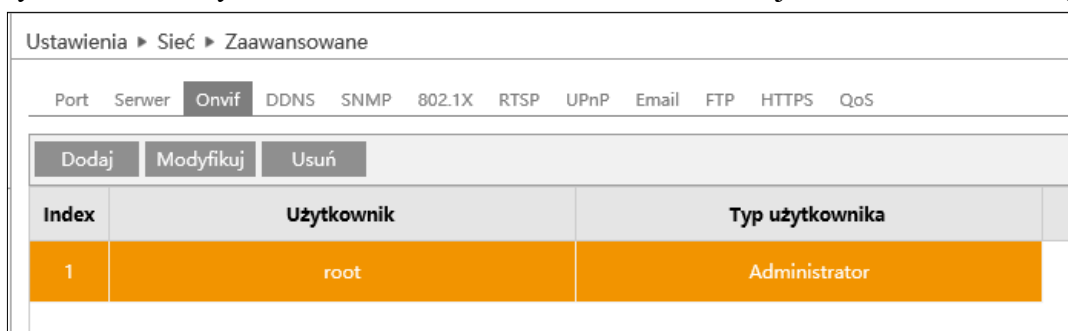
Ze względów bezpieczeństwa, po aktywacji urządzenia należy niezwłocznie zmienić domyślne hasło do konta Onvif. Zalecane jest nadanie takiego samego hasła zarówno do konta Onvif jak i do konta webowego.

## POŁĄCZENIA SIECIOWE ZA POMOCĄ PRZEGLĄDARKI WWW

- Edycja konta ONVIF

W celu zmiany hasła do konta Onvif, po zalogowaniu należy przejść do znajdującej się w prawym górnym rogu zakładki **Ustawienia**, a następnie **Sieć > Onvif**.

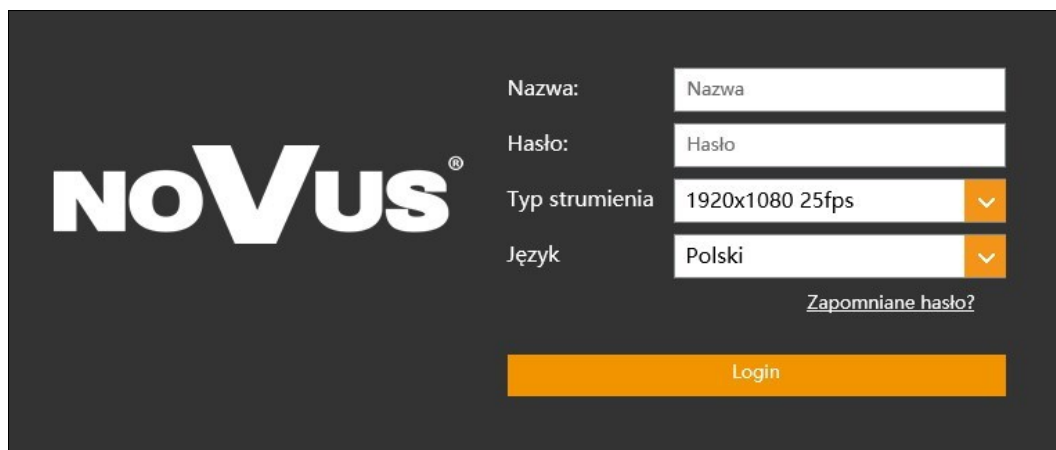
W zakładce **Onvif** należy kliknąć przycisk **Modyfikuj**, a następnie w oknie **Edytuj użytkownika** należy wpisać nowe hasło i zatwierdzić przyciskiem **OK**. Jeśli połączenie z kamerą z poziomu oprogramowania NMS będzie realizowane z wykorzystaniem metody obsługi zdarzeń LongPolling, to w niniejszym kroku należy ustawić takie samo hasło dla konta Onvif jak dla konta Webowego.



Index	Użytkownik	Typ użytkownika
1	root	Administrator

Aby usunąć konto Onvif należy klikając na odpowiedni wiersz w tabeli, wybrać użytkownika, a następnie kliknąć przycisk **Usuń**. Należy mieć na uwadze, że usunięcie konta Onvif wiąże się z brakiem możliwości dodania kamery do oprogramowania NMS. Przycisk **Dodaj** służy do utworzenia nowego konta Onvif.

- Pierwsze logowanie się do kamery



W oknie logowania należy w pole **Nazwa** wpisać nazwę konta administratora (*root*), a w pole **Hasło** nowo ustawione hasło administratora. W polu **Typ strumienia** możliwy jest wybór strumienia który będzie wyświetlany w oknie podglądu na żywo po zalogowaniu, a w polu **Język** możliwa jest zmiana języka interfejsu. Opcja **Zapomniane hasło** pozwala na zalogowanie do kamery w przypadku zapomnienia hasła administratora. Do tego potrzebna jest znajomość odpowiedzi na pytania bezpieczeństwa (ustawiane w następnym kroku).

Po wpisaniu odpowiednich danych należy nacisnąć przycisk **Login** aby zalogować się do panelu www kamery.



## POŁĄCZENIA SIECIOWE ZA POMOCĄ PRZEGLĄDARKI WWW

- Pytania bezpieczeństwa

Następnym etapem pierwszego logowania jest wpisanie odpowiedzi na pytania bezpieczeństwa.

W oknie które się wyświetli należy wybrać pytania spośród dostępnych na liście i wpisać własne odpowiedzi.

Znajomość właściwych pytań i odpowiedzi jest niezbędna do odzyskania hasła administratora.

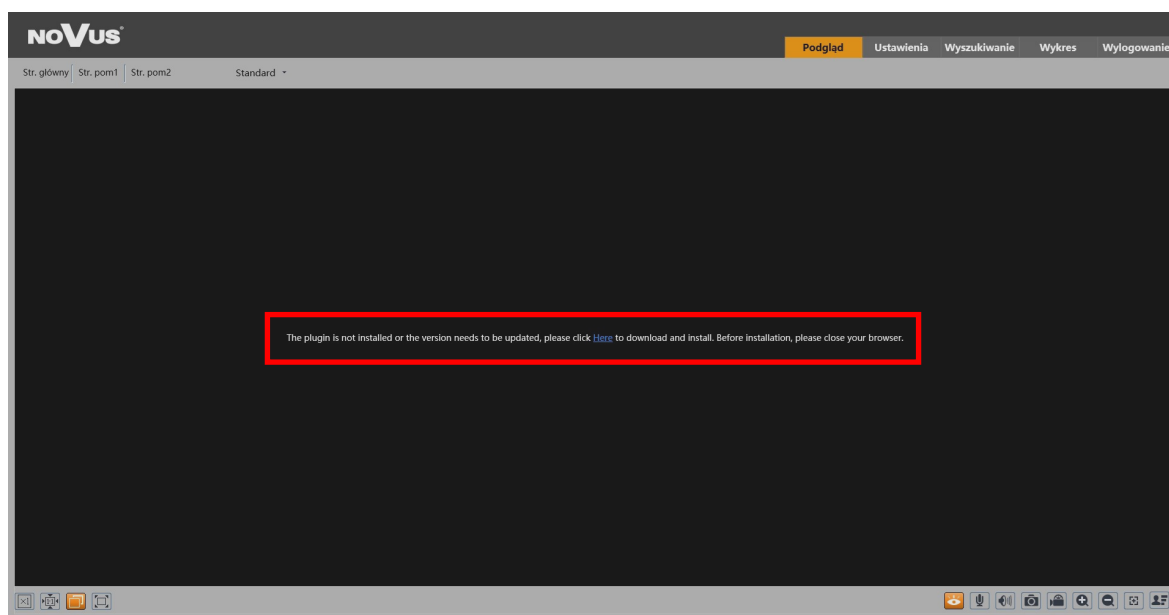
Pytanie bezpieczeństwa	
Pytanie 1	Imię ojca
Odpowiedź	<input type="text"/>
Pytanie 2	Imię matki
Odpowiedź	<input type="text"/>
Pytanie 3	<ul style="list-style-type: none"> <li>Imię ojca</li> <li>Imię matki</li> <li><b>Nazwa szkoły ponadpodstawowej</b></li> <li>Nazwa szkoły podstawowej</li> <li>Miejsce urodzenia</li> <li>Kto ma największy wpływ?</li> <li>Ulubiona książka</li> <li>Ulubiony kolor</li> <li>Ulubiony film</li> <li>Ulubiony kwiat</li> <li>Ulubiona marka telefonów</li> <li>Ulubiona atrakcja turystyczna</li> <li>Ulubiony celebryta</li> <li>Ulubiona marka samochodów</li> <li>Ulubiona gra</li> </ul>
Odpowiedź	<input type="text"/>



Ten krok nie może być pominięty. Okno pytań bezpieczeństwa wyświetla się tylko podczas pierwszego logowania, a jedyną możliwością zmiany podanych odpowiedzi jest przywrócenie ustawień fabrycznych i ponowne przejście wszystkich etapów pierwszego połączenia z kamerą

- Instalacja dodatku plug-in

Jeśli do tej pory przeglądarka nie łączyła się z żadną z kamer serii 6000 lub jeśli jest zainstalowana starsza wersja plug-ina, w oknie zdalnego podglądu wyświetli się komunikat o konieczności zainstalowania odpowiedniej wersji.



## POŁĄCZENIA SIECIOWE ZA POMOCĄ PRZEGLĄDARKI WWW

---

---

The plugin is not installed or the version needs to be updated, please click [Here](#) to download and install. Before installation, please close your browser.

Należy kliknąć na link **Here** aby rozpocząć instalację plug-ina. Przeglądarka wyświetli okienko z prośbą o podjęcie decyzji jak postąpić z plikiem „NetAIIPCamera.exe” - należy nacisnąć przycisk **Uruchom**, co uruchomi instalatora dodatku.

W oknie instalatora należy wybrać język instalacji (domyślnie angielski), a następnie kliknąć przycisk **Install** by zainstalować dodatek. Po zakończeniu instalacji należy kliknąć przycisk **Finish** oraz odświeżyć okno przeglądarki (można także zamknąć i uruchomić ponownie przeglądarkę).

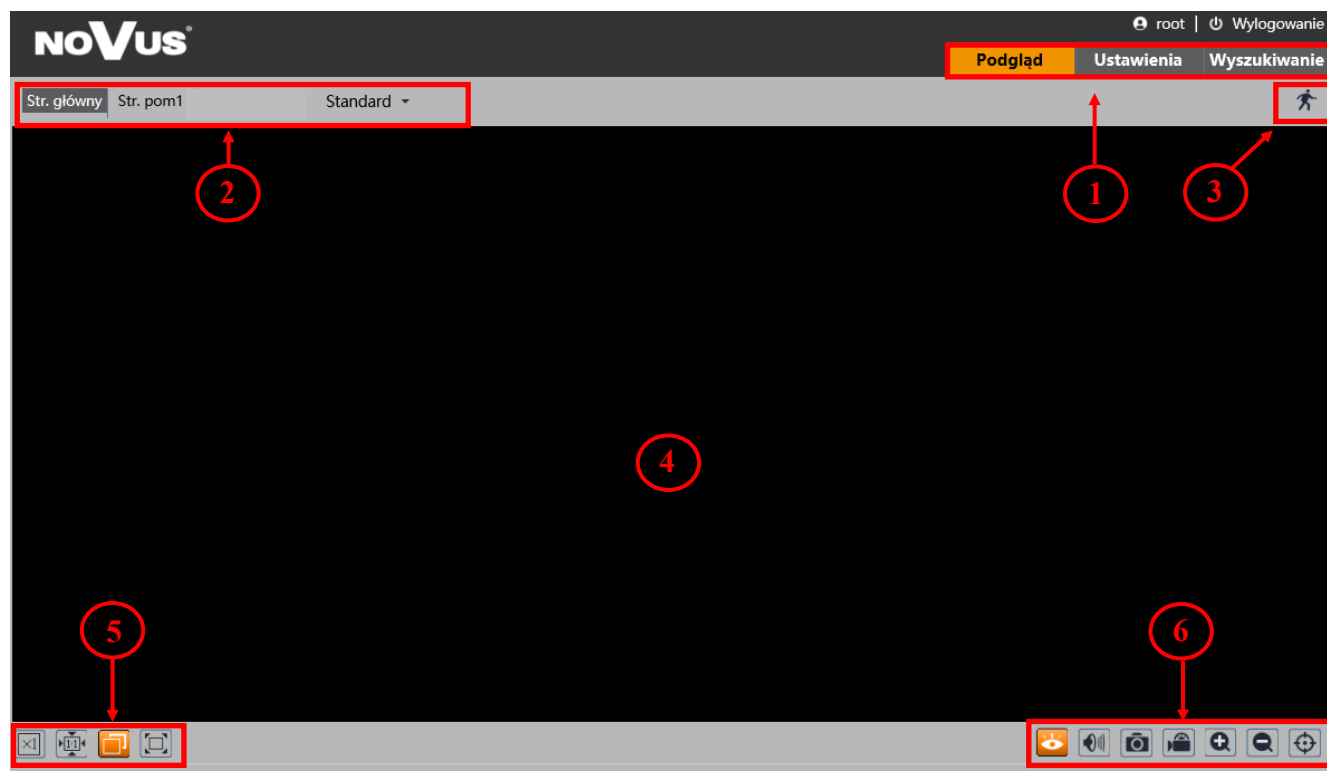
Jeżeli po instalacji i odświeżeniu okna przeglądarki, na ekranie będzie dalej widniał ten sam napis co wcześniej, należy przejść do ustawień przeglądarki (ikona koła zębatego w prawym górnym rogu), a następnie **Zarządzaj dodatkami**. W oknie które się pojawi należy kliknąć prawym przyciskiem myszy na **NetAIIPCamera Control**, a następnie **Włącz** i odświeżyć okno przeglądarki.

Po pomyślnym przejściu wszystkich powyższych kroków, w oknie podglądu na żywo powinien być widoczny podgląd z kamery.

## INTERFEJS WWW - PRACA Z KAMERA

### 4. INTERFEJS WWW - PRACA Z KAMERA

#### 4.1 Wyświetlanie obrazu na żywo



#### 1. Zakładki menu kamery:

- *Podgląd* - otwiera okno wyświetlania obrazu na żywo,
- *Ustawienia* - otwiera menu ustawień kamery,
- *Wyszukiwanie* - otwiera okno odtwarzania nagrań kamery,

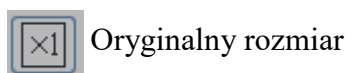
#### 2. Przyciski zmiany wyświetlanego strumienia oraz buforowania:

- Umożliwiają wybór strumienia: Strumień główny, Pomocniczy 1 lub Pomocniczy 2,
- Pozwalają wybrać opcję buforowania: *Na żywo*, *Standard* oraz *Płynnie*.

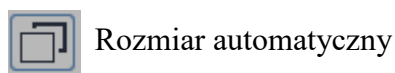
#### 3. Ikony powiadomień - ikony przedstawiające aktualne stany niektórych alarmów kamery.

#### 4. Okno podglądu wideo.

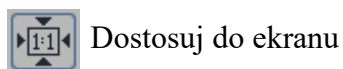
#### 5. Przyciski ustawienia obrazu - przyciski te zmieniają tryb wyświetlania obrazu w oknie podglądu:



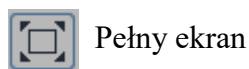
Oryginalny rozmiar



Rozmiar automatyczny




Dostosuj do ekranu





Pełny ekran

## POŁĄCZENIA ELEKTRYCZNE I ZŁĄCZA AKCESORIÓW

### 6. Przyciski funkcyjne:


 Włącz/wyłącz podgląd na żywo


 Włącz/wyłącz audio

 Zrób zdjęcie

 Uruchom nagrywanie

 Cyfrowe przybliżenie obrazu

 Cyfrowe oddalenie obrazu

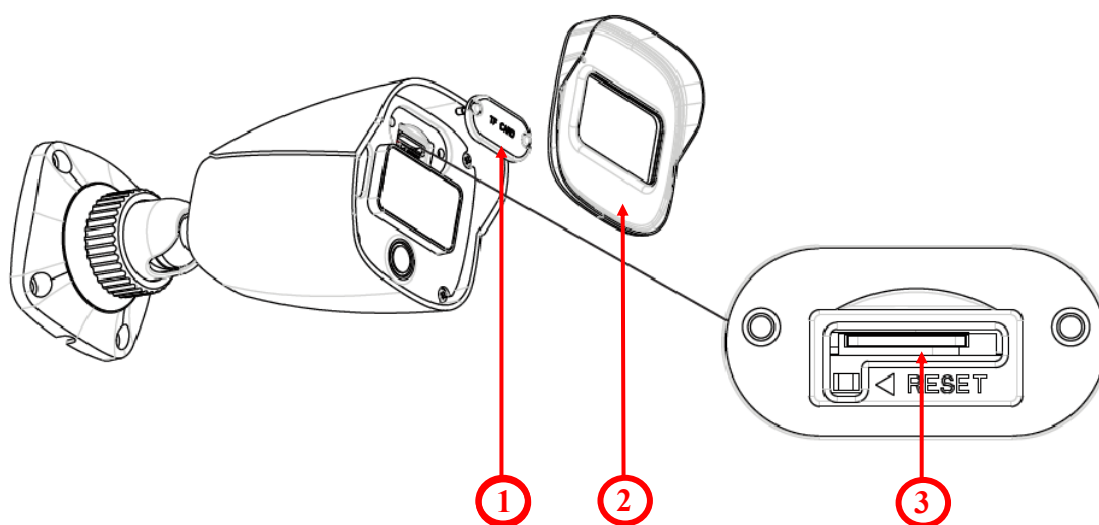
 Włącz/wyłącz graficzną reprezentację analizy obrazu

## 5. POŁĄCZENIA ELEKTRYCZNE I ZŁĄCZA AKCESORIÓW

### 5.1. Instalacja karty Micro SD

Kamera obsługuje karty Micro SD o pojemności do 256 GB. W celu prawidłowej instalacji karty należy postępować zgodnie z instrukcją:

- Wyłączyć zasilanie kamery.
- Zdjąć plastikową osłonę (2) i odkręcić klapkę (1) umieszczoną na kamerze.
- Włożyć kartę pamięci (3).
- Przykręcić klapkę (1) i założyć plastikową osłonę (2).
- Włączyć kamerę.
- Sprawdzić poprawność zainstalowania karty przez zweryfikowanie jej rozmiaru w zakładce „System -> Karta SD”.



## PRZYWRACANIE USTAWIEŃ FABRYCZNYCH KAMERY

### 6. PRZYWRACANIE USTAWIEŃ FABRYCZNYCH KAMERY


Kamery NVIP-2H-6231-II firmy NOVUS umożliwiają resetowanie ustawień:

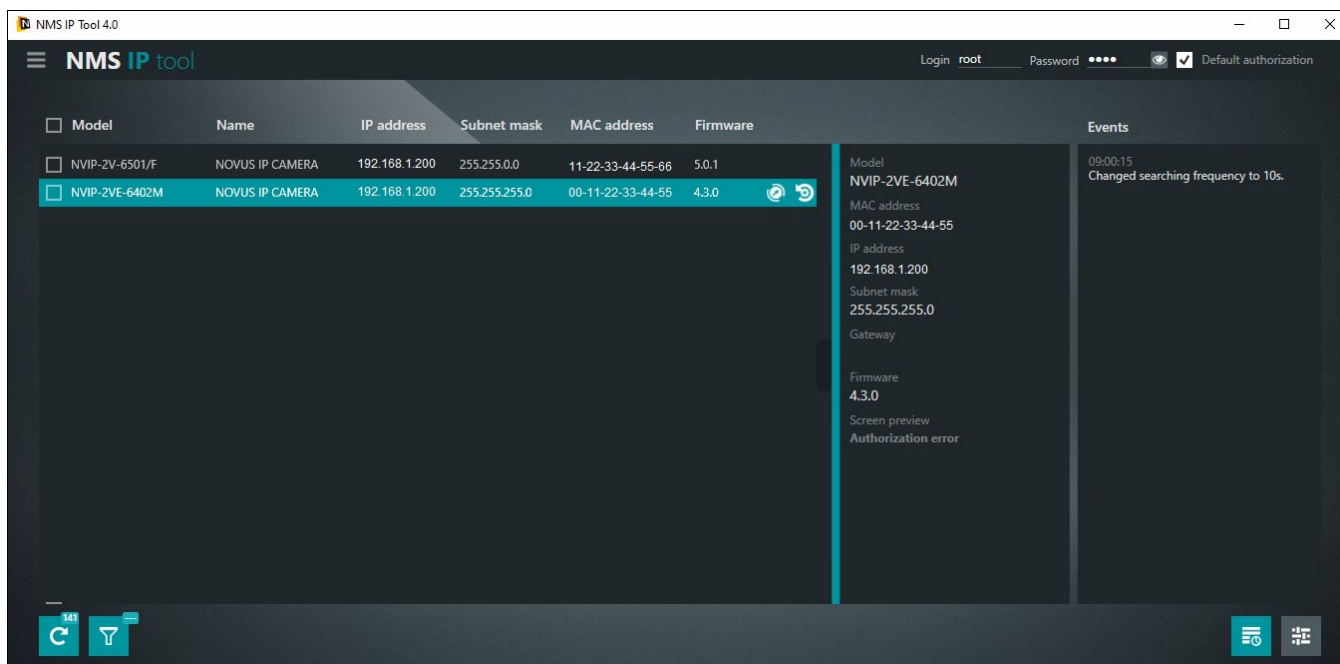
- programowo (z poziomu przeglądarki)
- programowo (z poziomu NMS IPTool)
- sprzętowo (przy użyciu przycisku reset (*RST*))

#### 6.1. Programowe przywracanie ustawień fabrycznych kamery z poziomu przeglądarki

Przywracanie ustawień fabrycznych kamery IP powoduje przywrócenie wszystkich domyślnych ustawień kamery (opcjonalnie z pominięciem niektórych ustawień, np. sieciowych). Kamera zostanie ponownie uruchomiona po ok. 1 minucie. Opcja do programowego przywrócenia ustawień fabrycznych znajduje się w zakładce „*Konserwacja > Kopia zapasowa*”.

#### 6.2. Programowe przywracanie ustawień fabrycznych kamery z poziomu NMS IP Tool

Użytkownik ma również możliwość przywrócenia ustawień fabrycznych kamery za pomocą programu NMS IPTool (wersja 3.5 lub wyższa). Aby to zrobić należy znaleźć kamerę na liście dostępnych urządzeń, a następnie po prawej stronie wiersza w którym znajduje się kamera, kliknąć ikonę . Następnie, w ciągu 30 sekund od momentu kliknięcia powyższej ikony należy odłączyć zasilanie kamery. Po ponownym podłączeniu kamery do zasilania, wszystkie ustawienia będą domyślne.

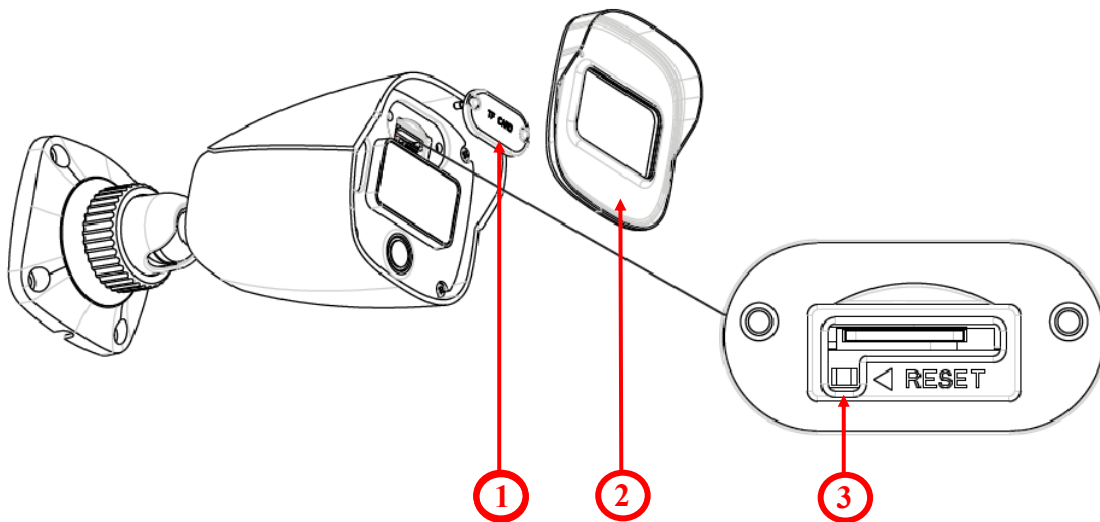


## PRZYWRACANIE USTAWIEŃ FABRYCZNYCH KAMERY

### 6.3. Sprzętowe przywracanie ustawień fabrycznych kamery

W celu sprzętowego przywrócenia ustawień fabrycznych kamery IP należy postępować zgodnie z instrukcją:

- Zdjąć plastikową osłonę (2) i odkręcić klapkę (1) umieszczoną na kamerze.
- Przytrzymać przycisk reset (3) przez 10 sekund.
- Zwolnić przycisk.
- Przykręcić klapkę (1) i założyć plastikową osłonę (2).
- Zalogować się ponownie po ok. 2 minutach używając domyślnego adresu IP (<http://192.168.1.200>), nazwy użytkownika (**root**) i hasła (**pass**).



**NOTATKI**

---

---

A series of horizontal dotted lines for taking notes, starting from a double line below the header and ending just above the footer.

pl

**noVus<sup>®</sup>**

**AAT SYSTEMY BEZPIECZEŃSTWA Sp. z o.o.**  
ul. Puławska 431, 02-801 Warszawa, Polska  
tel.: 22 546 0 546, kontakt@aat.pl  
[www.novuscctv.com/pl](http://www.novuscctv.com/pl)

2022-06-27 PF