

# Quick start guide



**NVIP-2H-4231**


**NOVUS<sup>®</sup>**


## SAFEGUARDS AND WARNINGS


---

---

**THE PRODUCT MEETS THE REQUIREMENTS CONTAINED IN THE FOLLOWING DIRECTIVES:**

 **DIRECTIVE 2014/30/EU OF THE EUROPEAN PARLIAMENT AND OF THE COUNCIL of 26 February 2014** on the harmonization of the laws of the Member States relating to electromagnetic compatibility (OJ L 96, 29.3.2014, p. 79–106, with changes)

 **DIRECTIVE 2012/19/EU OF THE EUROPEAN PARLIAMENT AND OF THE COUNCIL of 4 July 2012** on waste electrical and electronic equipment (WEEE) (OJ L 197, 24.7.2012, p. 38–71, with changes)

 **DIRECTIVE 2011/65/EU OF THE EUROPEAN PARLIAMENT AND OF THE COUNCIL of 8 June 2011** on the restriction of the use of certain hazardous substances in electrical and electronic equipment (OJ L 174, 1.7.2011, p. 88–110, with changes)

### Information

The device, as an element of a professional CCTV system used for supervision and control, is not intended for self-installation in households by people without specialist knowledge.

### Exclusion of liability in case of damage data on disks or other devices or media:

The manufacturer is not liable in the event of damage or loss of data contained on disks or other devices or media during the operation of the Product.

### Obligation to consult with the Manufacturer before performing an activity not provided for in the operating manual or other documents:

Before performing an action that is not provided for in the Product manual, other documents attached to the Product or does not result from the normal purpose of the Product, please contact the Manufacturer under the pain of excluding the Producer's liability for the consequences of such an action.



**Pictures in this publication showing camera views can be simulations. Actual camera images may vary depending on the type, model, settings, observation area, or environmental conditions.**

## SAFEGUARDS AND WARNINGS

---

---

### WARNING!

THE KNOWLEDGE OF THIS MANUAL IS AN NECESSARY CONDITION OF PROPER USE OF THE DEVICE. PLEASE READ IT BEFORE INSTALLING AND OPERATING THE DEVICE.

### WARNING!

USER IS NOT ALLOWED TO DISASSEMBLE THE CASING AS THERE ARE NO USER -SERVICEABLE PARTS INSIDE THIS UNIT. ONLY AUTHORIZED SERVICE PERSONNEL MAY OPEN THE UNIT

1. Prior to undertaking any action please consult the following manual and read all the safety and operating instructions before starting the device.
2. Please keep this manual for the lifespan of the device in case referring to the contents of this manual is necessary;
3. All the safety precautions referred to in this manual should be strictly followed, as they have a direct influence on user's safety and durability and reliability of the device;
4. All actions conducted by the servicemen and users must be accomplished in accordance with the user's manual;
5. The device should be disconnected from power sources during maintenance procedures;
6. Usage of additional devices and components neither provided nor recommended by the producer is forbidden;
7. Mounting the device in places where proper ventilation cannot be provided (e. g. closed lockers etc.) is not recommended since it may lead to heat build-up and damaging the device itself as a consequence;
8. Mounting the camera on unstable surface or using not recommended mounts is forbidden. Improperly mounted camera may cause a fatal accident or may be seriously damaged itself. The camera must be mounted by qualified personnel with proper authorization, in accordance with this user's manual.
9. Device should be supplied only from a power sources whose parameters are in accordance with those specified by the producer in the camera technical datasheet. Therefore, it is forbidden to supply the camera from a power sources with unknown parameters, unstable or not meeting producer's requirements;

Due to the product being constantly enhanced and optimized, certain parameters and functions described in the manual in question may change without further notice.

We strongly suggest visiting the [www.novuscctv.com/en](http://www.novuscctv.com/en) website in order to access the newest full manual

## FOREWORD INFORMATION

### 1. TECHNICAL SPECIFICATION

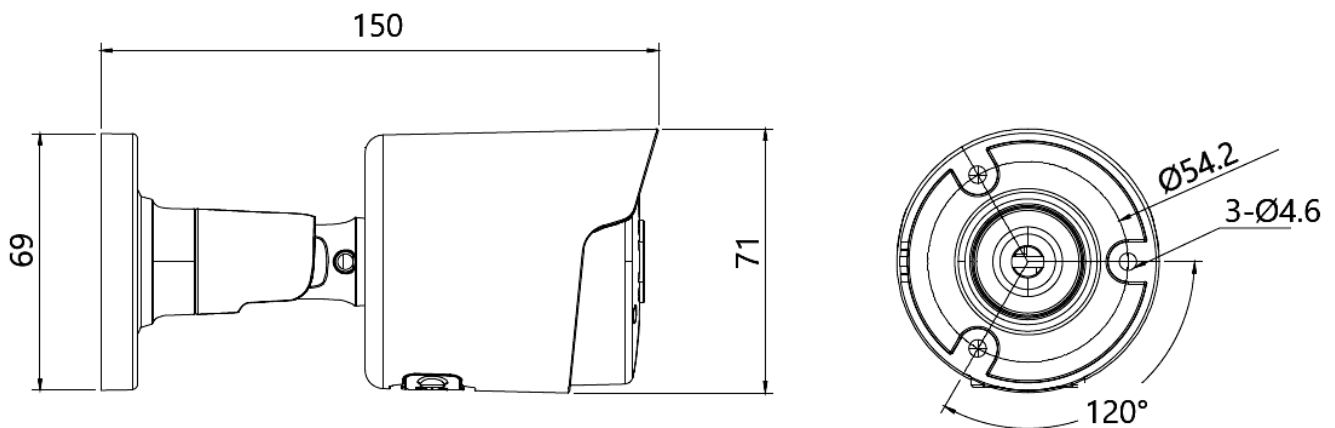
<b>IMAGE</b>	
Image Sensor	2 MPX CMOS sensor 1/2.7" SmartSens
Number of Effective Pixels	1920 (H) x 1080 (V)
Min. Illumination	0.1 lx/F1.2 - color mode, 0 lx (IR on) - B/W mode
Electronic Shutter	auto/manual: 1/5 s ~ 1/20000 s
Digital Slow Shutter (DSS)	up to 1/5 s
Wide Dynamic Range (WDR)	yes
Digital Noise Reduction (DNR)	2D, 3D
Defog Function (F-DNR)	yes
Back Light Compensation (BLC)	yes
Reduction of image flicker (Antiflicker)	yes
<b>LENS</b>	
Lens Type	fixed focal, f=3.6 mm/F2.2
<b>DAY/NIGHT</b>	
Switching Type	mechanical IR cut filter
Switching Mode	auto, manual, time
Switching Delay	1 ~ 36 s
Visible Light Sensor	yes
<b>NETWORK</b>	
Stream Resolution	1920 x 1080 (Full HD), 640 x 480 (VGA)
Frame Rate	30 fps for 1920 x 1080 (Full HD), 20 fps for 640 x 480 (VGA)
Multistreaming Mode	2 streams
Video/Audio Compression	H.264, H.265/G.711
Number of Simultaneous Connections	max. 10
Bandwidth	40 Mb/s in total
Network Protocols Support	HTTP, TCP/IP, IPv4, HTTPS, FTP, DHCP, DNS, DDNS, NTP, RTSP, RTP, UPnP, SMTP
ONVIF Protocol Support	Profile S/G
Camera Configuration	from Internet Explorer browser languages: Polish, English, Russian, and others
Compatible Software	NMS
<b>OTHER FUNCTIONS</b>	
Privacy Zones	4 video mask type: single color
Motion Detection	yes
Image Processing	180° image rotation, vertical flip, horizontal flip
Prealarm/Postalarm	up to 5 s/up to 30 s
System Reaction to Alarm Events	e-mail with attachment, saving file on FTP server, saving file on SD card, saving in the cloud storage
Restoring default settings	via web browser, using reset button

## FOREWORD INFORMATION

IR LED	
LED Number	2
Range	30 m
Smart IR	yes (hardware support)
INTERFACES	
Audio Input/Output	built-in microphone
Network Interface	1 x Ethernet - RJ-45 interface, 10/100 Mbit/s
Memory Card Slot	microSD - capacity up to 256GB
INSTALLATION PARAMETERS	
Dimensions (mm)	with bracket: 71 (Φ) x 150 (L)
Weight	0.4 kg
Degree of Protection	IP 66 (details in the user's manual)
Enclosure	aluminium, white, fully cable managed wall mount bracket inset included
Power Supply	PoE, 12 VDC
Surge protection	TVS 4000 V
Power Consumption	1.5 W, 4 W (IR on)
Operating Temperature	-30°C ~ 55°C
Humidity	max. 95%, relative (non-condensing)

eng

### 1.1. Camera dimensions (in millimeters)



## START-UP AND INITIAL CONFIGURATION

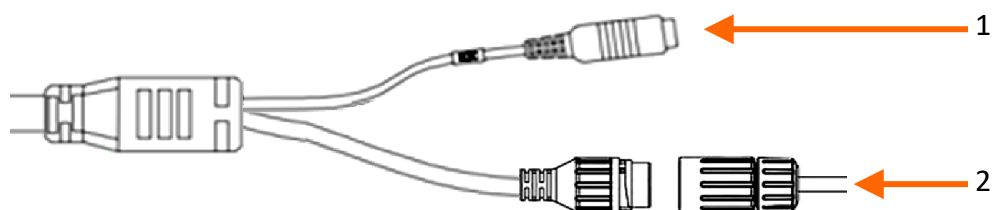
### Caution:

If the device was brought from a room with a lower temperature, wait until it reaches the temperature of the room in which it is to work. Do not switch the device immediately after bringing from a cooler place. The condensation of water vapor can cause short circuits and consequently damage the device.

## 2. START-UP AND INITIAL CONFIGURATION

Before starting the device familiarize yourself with the description and the role of particular inputs, outputs and adjusting elements that the device is equipped with.

### 2.1. Description of the camera's electrical connectors

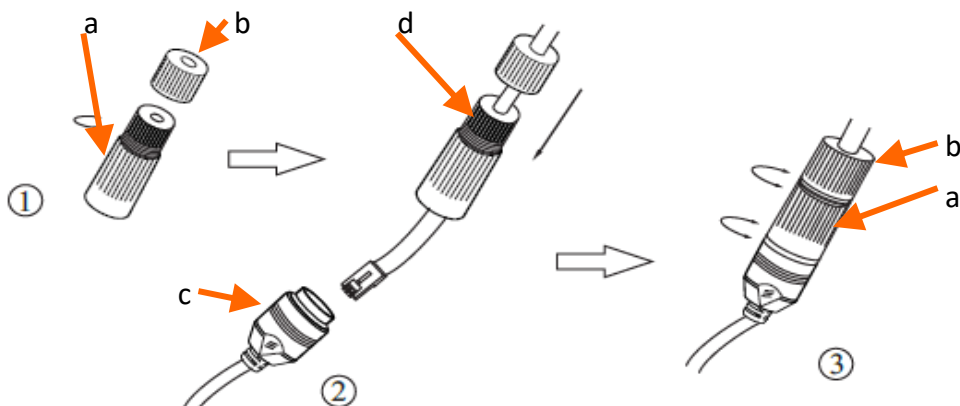


1. 12VDC camera power socket
2. 100 Mb/s Ethernet port (hermetic RJ-45 socket)

### 2.2. Connecting ethernet cable

To maintain hermeticity network cable connection, follow the instructions below:

1. Unscrew the nut (b) from the connector cover (a), mount the sealing ring on the socket (c)
2. Route the network cable through the components (a) and (b). Plug the RJ-45 connector into the socket (c)
3. Screw the connector cover (a) on the socket (c). Inside the upper part of the connector cover (a) push in to the stop the seal of the cable (d) - the seal is cut to insert on the network cable.
4. Tighten up to the stop nut (b)



### Caution:

The 12VDC power connector is not hermetic. The user should seal them on his own.

## START-UP AND INITIAL CONFIGURATION

### 2.3. "Two way power" function

The camera is equipped with the "Two way power" function. When the camera is connected to the PoE switch, 12VDC is available in the 12V camera power socket. This allows user to power the receiver with low power consumption, e.g. a microphone, from the camera power socket.

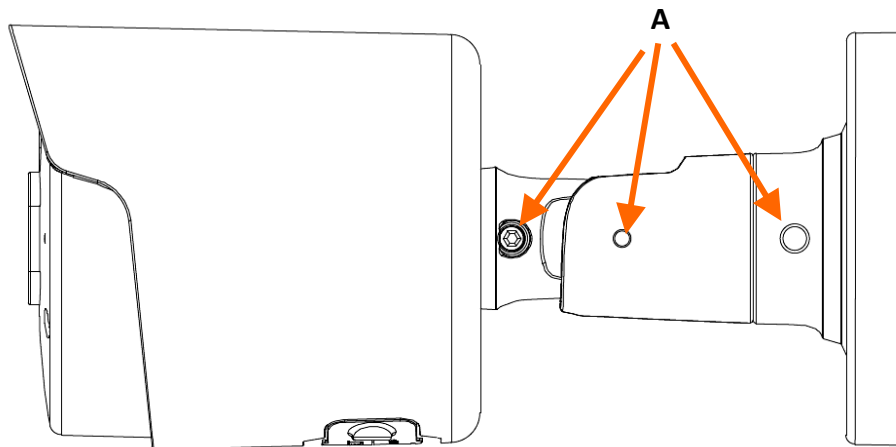


The maximum power consumption of the device using the "Two way power" function is 3W.

### 2.4. Camera mounting

To mount a camera please follow the instructions below:

- Put the bracket or template to the wall in a desired mounting place
- Mark future drilling holes for screws.
- Drill mounting holes and a hole for the signal cable
- Mount the camera using the provided dowels and screws.
- Loosen screws "A".
- Adjust camera position.
- Tighten screws "A".



**Caution:**

Please note that the wall or ceiling must have enough strength to support the camera.

**Caution:**

The declared degree of protection of the camera relates to its housing and does not take into account the possibility of moisture infiltration into the interior of the camera by connecting cables. Connection cables protection through i.e. sealing up is the responsibility of the camera installer. The manufacturer is not liable for any damages to the camera caused as a result of failing in performing that activity by installer, which also means that camera damaged in that way is not subject to warranty repairs.

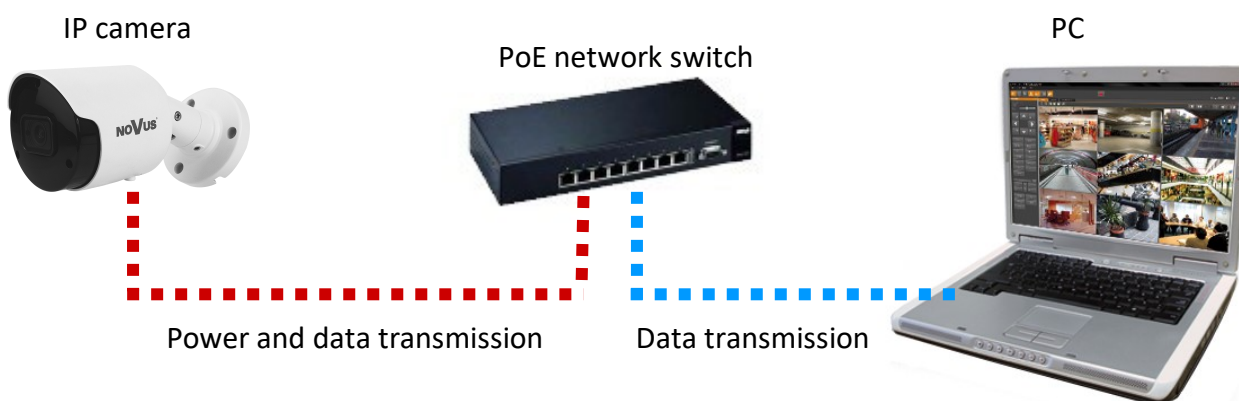
## START-UP AND INITIAL CONFIGURATION

### 2.5. Starting the camera

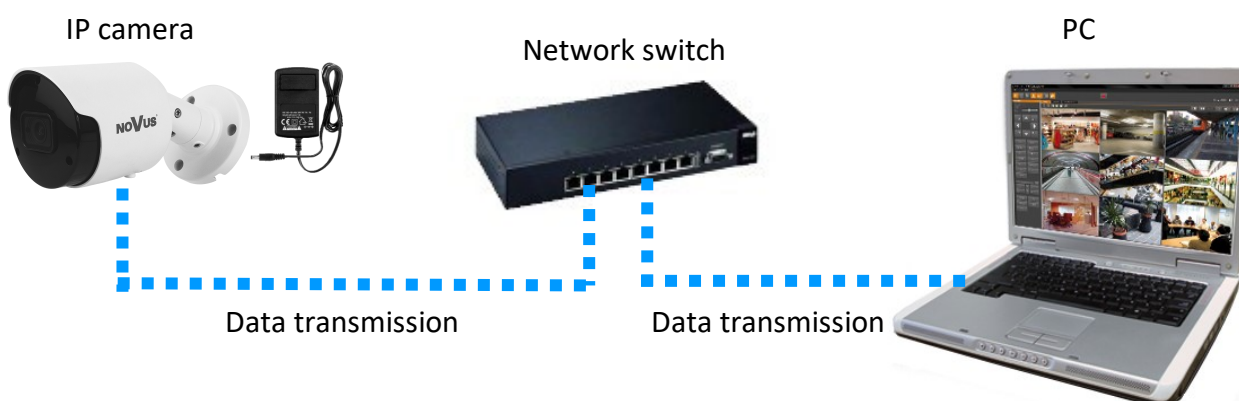
To start the camera, connect the Ethernet cable to the RJ45 network socket of the IP camera, and the other end to the network switch. As a power source, it is possible to use an external stabilized power supply with parameters that meet the requirements of the camera or PoE network switch.

The recommended method of starting and configuring the IP camera is to connect it to a PC or laptop in a dedicated network switch to which no other devices are connected. In case of power supply from an external power supply, it is enough to use any network switch or a cable connected directly to the computer. For network configuration data (IP address, gateway, netmask etc.), please contact the administrator of the network in which the device is to work.

- Connection using network switch with PoE support



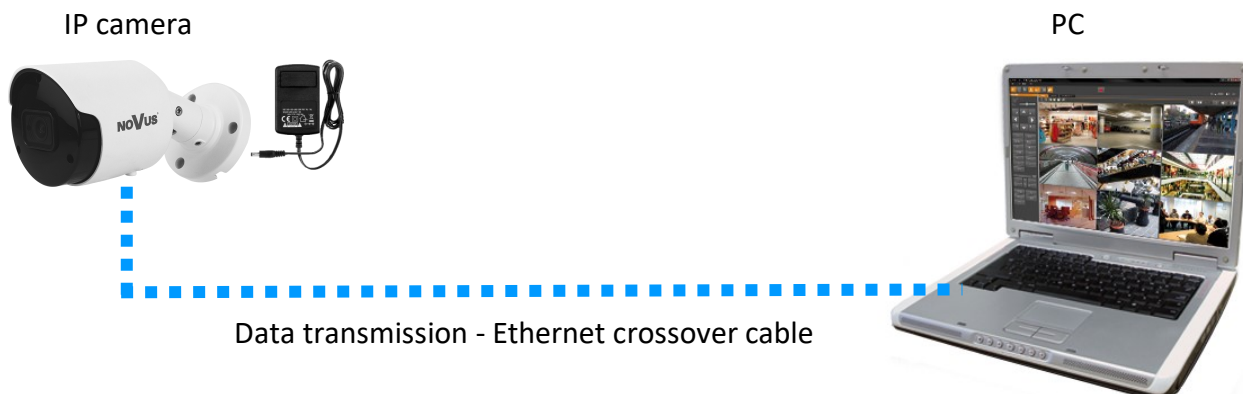
- Connection using external power supply and network switch





## START-UP AND INITIAL CONFIGURATION

- Connection using the camera's external power supply and an Ethernet crossover cable



eng

### 2.6. Parameter configuration using a web browser

The default network settings for camera are:

1. IP address= **192.168.1.200**
2. Network mask - **255.255.255.0**
3. Gateway - **192.168.1.1**
4. User name - **root**
5. Password - **pass**

Knowing the camera's IP address you need to appropriately set PC IP address, so the two devices can operate in one network subnet ( e.g. for IP 192.168.1.1, appropriate address for the camera ranges from 192.168.1.2 to 192.168.1.254, for example 192.168.1.60). It is not allowed to set the same addresses for camera and PC computer

You can either set a network configuration (IP address, gateway, net mask, etc.) of NOVUS IP camera yourself or select DHCP mode (DHCP server is required in this method in target network) by using web browser or by NMS software. When you use DHCP server check IP address lease and its linking with camera MAC address to avoid changing or losing IP address during device operation or network/DHCP server breakdown. You have to remember to use a new camera IP address after changing network parameters.

After network setting configuration has been done, the camera can be connected to a target network.

## START-UP AND INITIAL CONFIGURATION

---

---

### 2.7. Security recommendations for network architecture and configuration

#### WARNING!

**Below are shown security recommendations for network architecture and configuration of CCTV systems that are connected to the Internet to reduce the risk of unauthorized interference with the system by a third party.**

eng

1. Absolutely change the default passwords and user names (if the device gives this possibility) of all applied network devices (recorders, cameras, routers, network switches, etc.) to the severely complexity password. Use lowercase and uppercase letters, numbers, and special characters if there is such possibility.
2. Depending on the available functionality in the order to restrict access to the used network devices at the administrator account level, it is recommended to configure the users accounts accordingly.
3. Do not use DMZ function (Demilitarized zone) in your router. Using that function you open the access to recorder system from the Internet on all ports, which gives possibility for an unauthorized interference with the system.

Instead of DMZ use port forwarding redirect only the ports which are necessary for the performance of the connection (detailed information about ports of communication in different models of recorders, cameras, etc. can be found in the operating instructions).

4. Use routers with firewall function and make sure it is enabled and properly configured.
5. It is recommended to change the default network communication port numbers of used devices if there is such possibility.
6. If used network devices has a UPnP feature and it is not used, turn it off.
7. If used network devices has a P2P feature and it is not used, turn it off.
8. If used network devices support HTTPS protocol for connection, it is recommended to use it.
9. If used network devices support IP filtering for authorized connections function, it is recommended to use it.
10. If used recorder has two network interfaces it is recommended to use both of them to physically separate network for cameras and network for Internet connection. The only device in the system, accessible from Internet will be recorder - there will be no physically access directly to any camera.

## NETWORK CONNECTION USING WEB BROWSER

### 3. NETWORK CONNECTION USING WEB BROWSER

#### 3.1. Recommended PC specification for web browser connections

The following requirements apply to the connection with the IP camera assuming smooth video display at the maximum resolution.

1. CPU **Intel Core i3 3GHz** or newer
2. **RAM** Memory min. **8 GB**
3. Graphic card (any **Nvidia GeForce 512MB Ram** or equivalent)
4. OS **Windows 8/8.1/10**
5. Network card **100/1000 Mb/s**

eng

#### 3.2. First connection to the camera via a web browser

Enter the IP address of the camera in the address bar of the web browser. After connection, the following will be displayed: the administrator password definition window and then the security question window, allowing you to regain access to the camera in the event of forgetting the administrator password, without the need to reset.

#### Defining the administrator password

When connecting to the camera for the first time, the administrator password definition window is displayed.

Enter the password for the administrator account in the "New Password" field, and then repeat for confirmation in the "Confirm Password" field. The strength of the password is indicated on the "Password Strength" indicator, and the requirements for its creation can be seen in the pop-up window that shows up by hovering over the question mark symbol.

## NETWORK CONNECTION USING WEB BROWSER

After defining the administrator password, the password recovery question selection window is displayed.

The screenshot shows a window titled "Recover Password" with a close button (X) in the top right corner. Below the title bar, there is a section labeled "Security Question Configuration" with a small square icon to its left. This section contains three rows, each representing a security question. Each row has a label for the question, a dropdown menu for selecting the question, and a text input field for the answer. The questions are: "Security Question 1" (Your father's name?), "Security Question 2" (Your mother's name?), and "Security Question 3" (Your head teacher's name in senior high school?). At the bottom of the window, there are two buttons: "OK" and "Cancel".

To activate the security questions, select the "Security Question Configuration" option. Then select the questions from the "Security Question" lists and enter your own answers in the "Answer" fields.



It is obligatory to answer all the questions. Selected questions and answers should be stored in a place protected against unauthorized access. After saving the answers, they cannot be changed, and giving new ones is possible after restoring the factory settings.

Since the camera does not analyze the sense of the answer, but only remembers it, it can be any string of characters. The same answer can be given to each of the questions.

After making the necessary changes, save them by pressing the "OK" button. The camera confirms the correctness of the operations by displaying a confirmation window. After pressing the "OK" button in the confirmation window, the login window to the web panel of the camera is displayed.



It is not mandatory to activate security questions. This step can be skipped by pressing the "OK" button without selecting "Security Question Configuration", or by pressing the "Cancel" button. However, in this case, the password recovery option is not available and the only way to restore access to the camera in case the password is lost is to use the button reset.

## NETWORK CONNECTION USING WEB BROWSER

### Administrator password recovery

To regain access to the camera if you forget the password, click on the "Recover password" link in the lower right corner of the login window. The password recovery window is displayed, in which user must enter the answers provided during the configuration of the answer in the appropriate fields, and then set a new password.

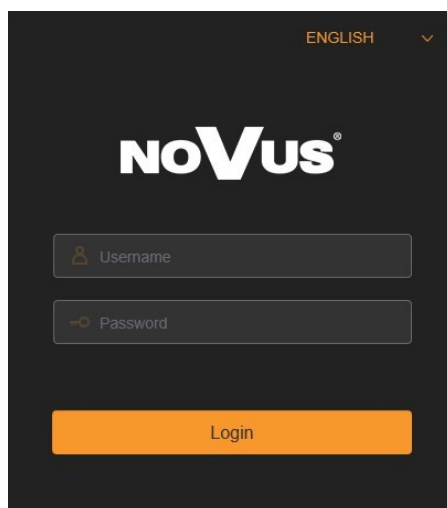
### Login to the camera

To log in to the camera, enter the administrator account name and password in the login window.



At the top of the login window there is a language selection list for the camera menu.

eng



After logging in using the Internet Explorer browser, the camera can display a message about the need to install "SurveillancePluginV2.exe" plug-in, necessary to display video (this message appears if the system was not previously installed the plug-in or if the plug-in is present, but it is in the wrong version).

In this case, click on the "Download and install the player" link and follow the installer's instructions. After the installation is complete, refresh the browser window. After these steps, the camera image should appear in the live view window.

Live video can be played only after the player plug-in is installed. [Download and install the player](#). If you have installed the player, restart your browser. (Allow the player in your browser.)

If the plug-in installation process is interrupted by Windows Security, allow the plug-in to install and run.

## USING AND CONFIGURING

### 4. USING AND CONFIGURING

#### 4.1. The Remote Preview Interface



1. Selecting a stream to display in the remote view window.

2. Live Preview window.

Double-clicking the left mouse button on the preview window enables and disables the display of the image on the full screen.

3. Buttons for selecting the operating mode and configure the camera:

Playback	- enables the playback panel of recordings from the memory card
Live	- enables preview live stream
Remote Setting	- displays the configuration panel camera
Local Setting	- displays the configuration panel of paths to snapshots folders

4. Icon to access to the camera:



- displays information about the logged in user and the version of the applet



- logout from the camera

5. Allows to turn on and off the image parameter setting panel. The panel allows to adjust the hue, brightness, contrast, color saturation and sharpness.

6. Picture control buttons:



- enables and disables the live preview



- sets the original aspect ratio



- fits the image to the browser window



- sets full screen

7. Buttons controlling additional functions:



- enables and disables recording of the video stream to the user PC



- takes a screenshot and saves it to the user PC



- enables and disables enlarge the picture



- turns audio on and off



- enables and disables the pixel counter (displays the size of the selected area)

## RESTORING FACTORY SETTINGS, INSTALLING THE SD CARD

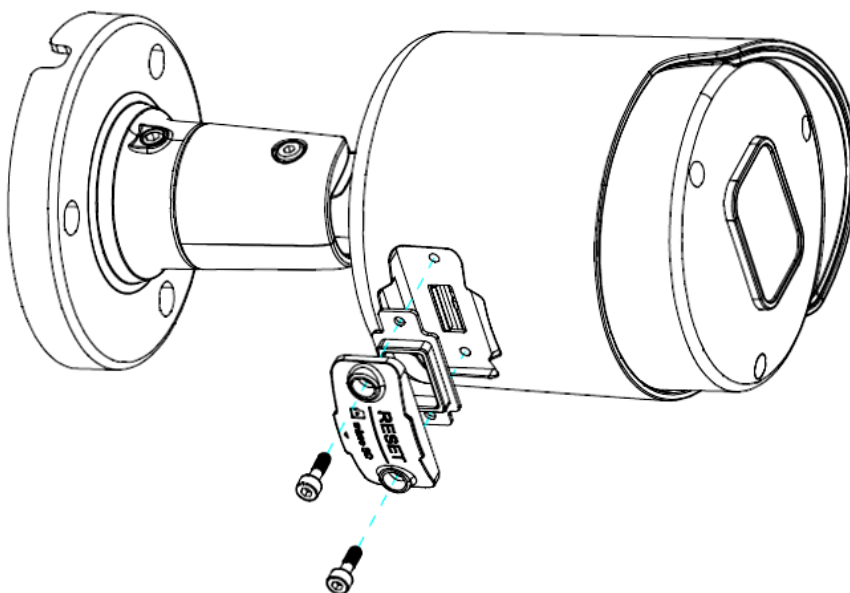
### 5. RESTORING FACTORY SETTINGS

The camera menu has an option to reset the settings to the factory values. To restore the camera settings to the default values, go to the "*Load Default*" tab (Remote Settings -> Maintain -> Load Default). Then select the camera options that you want to reset and press the "Save" button. After confirming with the administrator password, the camera settings will be restored.

Restoring the factory settings is also possible by pressing and holding for about 5 seconds the reset button, which is located under the lid in the camera housing.

### 6. INSTALLING A MEMORY CARD

The microSD memory card slot is located under the lid in the camera housing.



To install a memory card, disconnect the camera's power supply, remove the screws that secures the lid and insert the card into its slot. After closing the lid and starting the camera, go to the "Remote Setting -> HDD" menu and format the memory card.





**noVus<sup>®</sup>**

**AAT SYSTEMY BEZPIECZEŃSTWA Sp. z o.o.**  
431 Puławska St., 02-801 Warsaw, Poland  
tel.: +4822 546 0 546, kontakt@aat.pl  
[www.novuscctv.com](http://www.novuscctv.com)

# Skrócona instrukcja obsługi



NVIP-2H-4231

**NOVUS<sup>®</sup>**

## UWAGI I OSTRZEŻENIA

---

---

### PRODUKT SPEŁNIA WYMAGANIA ZAWARTE W DYREKTYWACH:



**DYREKTYWA PARLAMENTU EUROPEJSKIEGO I RADY 2014/30/UE z dnia 26 lutego 2014 r.** w sprawie harmonizacji ustawodawstw państw członkowskich odnoszących się do kompatybilności elektromagnetycznej (Dz.U. L 096 z 29.3.2014, s. 79—106, z późniejszymi zmianami) – zwana Dyrektywa EMC



**DYREKTYWA PARLAMENTU EUROPEJSKIEGO I RADY 2012/19/UE z dnia 4 lipca 2012 r.** w sprawie zużytego sprzętu elektrycznego i elektronicznego (WEEE) (Dz.U. L 96 z 29.3.2014, str. 79—106, z późniejszymi zmianami) – zwana Dyrektywa WEEE



**DYREKTYWA PARLAMENTU EUROPEJSKIEGO I RADY 2011/65/UE z dnia 8 czerwca 2011 r.** w sprawie ograniczenia stosowania niektórych niebezpiecznych substancji w sprzęcie elektrycznym i elektronicznym (Dz.U. L 174 z 1.7.2011, str. 88—110, z późniejszymi zmianami) - zwana Dyrektywa RoHS

### Informacja

Urządzenie, jako element profesjonalnego systemu telewizji dozorowej służącego do nadzoru i kontroli, nie jest przeznaczone do samodzielnego montażu w gospodarstwach domowych przez osoby nie posiadające specjalistycznej wiedzy.

### Wyłączenie odpowiedzialności w przypadku uszkodzenia danych zawartych na dyskach lub innych urządzeniach lub nośnikach:

Producent nie ponosi odpowiedzialności w razie uszkodzenia lub utraty w trakcie eksploatacji Produktu danych zawartych na dyskach lub innych urządzeniach lub nośnikach.

### Obowiązek konsultowania się z Producentem przed wykonaniem czynności nieprzewidzianej instrukcją obsługi albo innymi dokumentami:

Przed wykonaniem czynności, która nie jest przewidziana dla danego Produktu w instrukcji obsługi, innych dokumentach dołączonych do Produktu lub nie wynika ze zwykłego przeznaczenia Produktu, należy, pod rygorem wyłączenia odpowiedzialności Producenta za następstwa takiej czynności, skontaktować się z Producentem.



Zamieszczone w niniejszej publikacji zdjęcia przedstawiające obrazy z kamer mogą być symulacjami. Rzeczywiste obrazy z kamer mogą się różnić, w zależności od typu, modelu, ustawień, obszaru obserwacji lub warunków zewnętrznych.

## WARUNKI BEZPIECZEŃSTWA

---

---

### **UWAGA!**

ZNAJOMOŚĆ NINIEJSZEJ INSTRUKCJI JEST NIEZBĘDNYM WARUNKIEM PRAWIDŁOWEJ EKSPLOATACJI URZĄDZENIA. PROSIMY O ZAPOZNANIE SIĘ Z NIM PRZED PRZYSTĄPIENIEM DO INSTALACJI I OBSŁUGI URZĄDZENIA.

### **UWAGA!**

NIE WOLNO DOKONYWAĆ ŻADNYCH SAMODZIELNYCH NAPRAW. WSZYSTKIE NAPRAWY MOGĄ BYĆ REALIZOWANE JEDYNIEM PRZEZ WYKWALIFIKOWANYCH PRACOWNIKÓW SERWISU.

1. Przed zainstalowaniem i rozpoczęciem eksploatacji należy dokładnie zapoznać się z niniejszą instrukcją obsługi i zawartymi w niej wymogami bezpieczeństwa;
2. Uprasza się o zachowanie instrukcji na czas eksploatacji kamery na wypadek konieczności odniesienia się do zawartych w niej treści;
3. Należy skrupulatnie przestrzegać wymogów bezpieczeństwa opisanych w instrukcji, gdyż mają one bezpośredni wpływ na bezpieczeństwo użytkowników i trwałość oraz niezawodność urządzenia;
4. Wszystkie czynności wykonywane przez instalatorów i użytkowników muszą być realizowane zgodnie z opisem zawartym w instrukcji;
5. W czasie czynności konserwatorskich urządzenie musi być odłączone od zasilania;
6. Nie wolno stosować żadnych dodatkowych urządzeń lub podzespołów nie przewidzianych i nie zalecanych przez producenta;
7. Nie należy instalować tego urządzenia w miejscu, gdzie nie można zapewnić właściwej wentylacji (np. zamknięte szafki, itp.), co powoduje zatrzymanie się ciepła i w konsekwencji może doprowadzić do uszkodzenia;
8. Nie wolno umieszczać kamery na niestabilnych powierzchniach. Kamera musi być instalowana przez wykwalifikowany personel o odpowiednich uprawnieniach według zaleceń podanych w niniejszej instrukcji;
9. Urządzenie może być zasilane jedynie ze źródeł o parametrach zgodnych ze wskazanymi przez producenta w danych technicznych kamery. Dlatego też, zabrania się zasilania kamery ze źródeł o nieznanym, niestabilnym lub niezgodnym z wymaganiami określonymi przez producenta parametrach

Ponieważ produkt jest stale ulepszany i optymalizowany niektóre parametry i funkcje opisane w załączonej instrukcji mogły ulec zmianie.

Prosimy o zapoznanie się z najnowszą instrukcją obsługi znajdującą się na stronie [www.novusctv.com](http://www.novusctv.com)

Instrukcja obsługi znajdującą się na stronie [www.novusctv.com](http://www.novusctv.com) jest zawsze najbardziej aktualną wersją.

## INFORMACJE WSTĘPNE

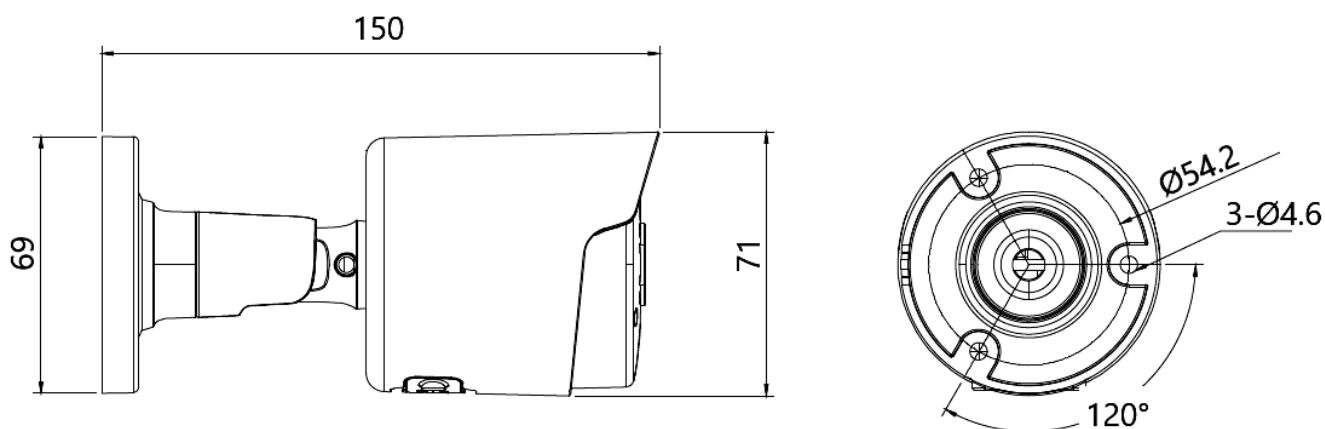
### 1. DANE TECHNICZNE

<b>OBRAZ</b>	
Przetwornik obrazu	2 MPX, matryca CMOS, 1/2.7", SmartSens
Liczba efektywnych pikseli	1920 (H) x 1080 (V)
Czułość	0.1 lx/F1.2 - tryb kolorowy, 0 lx (IR wł.) - tryb czarno-biały
Elektroniczna migawka	automatyczna/manualna: 1/5 s ~ 1/20000 s
Wydłużona migawka (DSS)	do 1/5 s
Szeroki zakres dynamiki (WDR)	tak
Cyfrowa redukcja szumu (DNR)	2D, 3D
Funkcja Defog (F-DNR)	tak
Kompensacja tylnego światła (BLC)	tak
Redukcja migotania obrazu (Antiflicker)	tak
<b>OBIEKTYW</b>	
Typ obiektywu	stałogniskowy, f=3.6 mm/F2.2
<b>DZIEŃ/NOC</b>	
Rodzaj przełączania	mechaniczny filtr podczerwieni
Tryb przełączania	automatyczny, manualny, czasowy
Opóźnienie przełączania	1 ~ 36 s
Czujnik światła widzialnego	tak
<b>SIEĆ</b>	
Rozdzielczość strumienia wideo	1920 x 1080 (Full HD), 640 x 480 (VGA)
Prędkość przetwarzania	30 kl/s dla 1920 x 1080 (Full HD), 20 kl/s dla 640 x 480 (VGA)
Tryb wielostrumieniowy	2 strumienie
Kompresja wideo/audio	H.264, H.265/G.711
Liczba jednoczesnych połączeń	maks. 10
Przepustowość	łącznie 40 Mb/s
Obsługiwane protokoły sieciowe	HTTP, TCP/IP, IPv4, HTTPS, FTP, DHCP, DNS, DDNS, NTP, RTSP, RTP, UPnP, SMTP
Wsparcie protokołu ONVIF	Profile S/G
Konfiguracja kamery	z poziomu przeglądarki Internet Explorer języki: polski, angielski, rosyjski, i inne
Kompatybilne oprogramowanie	NMS
<b>POZOSTAŁE FUNKCJE</b>	
Strefy prywatności	4 typu kolor
Detekcja ruchu	tak
Obróbka obrazu	obrót obrazu o 180°, przerzucenie obrazu w pionie, przerzucenie obrazu w poziomie
Prealarm/postalarm	do 5 s/do 30 s
Reakcja na zdarzenia alarmowe	e-mail z załącznikiem, zapis na FTP, zapis na kartę SD, zapis w chmurze
Przywracanie ustawień fabrycznych	z poziomu przeglądarki internetowej, przyciskiem reset

## INFORMACJE WSTĘPNE

OŚWIETLACZ IR	
Liczba LED	2
Zasięg	30 m
Smart IR	tak (wsparcie sprzętowe)
INTERFEJSY	
Wejścia/wyjścia audio	wbudowany mikrofon
Interfejs sieciowy	1 x Ethernet - złącze RJ-45, 10/100 Mbit/s
Gniazdo kart pamięci	microSD - pojemność do 256GB
PARAMETRY INSTALACYJNE	
Wymiary (mm)	z uchwytem: 71 (Φ) x 150 (dł.)
Masa	0.4 kg
Klasa szczelności	IP 66 (szczegóły w instrukcji obsługi)
Obudowa	aluminiowa, w kolorze białym, uchwyt ścienny z przepustem kablowym w zestawie
Zasilanie	PoE, 12 VDC
Zabezpieczenia przeciwprzepięciowe	TVS 4000 V
Pobór mocy	1.5 W, 4 W (IR wł.)
Temperatura pracy	-30°C ~ 55°C
Wilgotność	maksymalnie 95%, względna (bez kondensacji)

### 1.1. Wymiary kamery (w milimetrach)



## URUCHAMIANIE I WSTĘPNA KONFIGURACJA

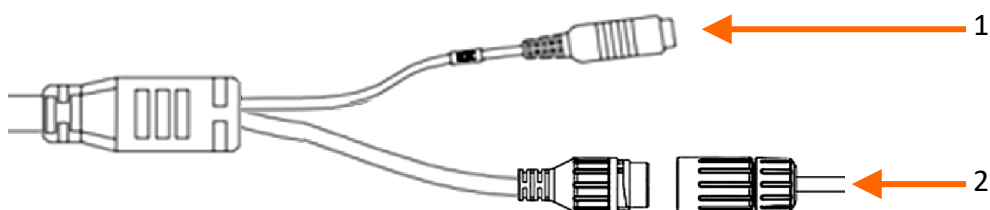
### Uwaga:

Jeżeli urządzenie przyniesione zostało z pomieszczenia o niższej temperaturze należy odczekać aż osiągnie temperaturę pomieszczenia, w którym ma pracować. Nie wolno włączać urządzenia bezpośrednio po przyniesieniu z chłodniejszego miejsca. Kondensacja pary wodnej może spowodować zwarcia i w konsekwencji uszkodzenie urządzenia.

## 2. URUCHAMIANIE I WSTĘPNA KONFIGURACJA

Przed uruchomieniem urządzenia należy zapoznać się z opisem i rolą poszczególnych wejść, wyjść oraz elementów regulacyjnych, w które wyposażone jest kamera.

### 2.1. Opis złączy elektrycznych kamery

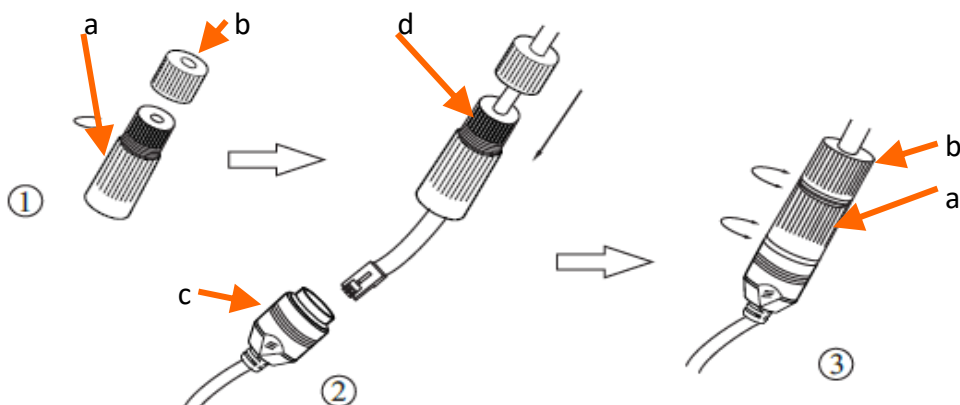


1. Gniazdo zasilania 12VDC
2. Port Ethernet 100 Mb/s (hermetyczne gniazdo RJ-45)

### 2.2. Podłączenie kabla sieciowego

Aby zachować hermetyczność połączenia kabla sieciowego należy postępować zgodnie z poniższą instrukcją:

1. Odkręcić nakrętkę (b) od osłony złącza (a), założyć pierścień uszczelniający na gniazdo (c)
2. Poprowadzić kabel sieciowy przez elementy (a) i (b). Włożyć wtyczkę RJ-45 do gniazda (c)
3. Nakręcić osłonę złącza (a) na gniazdo (c). W górną część osłony złącza (a) wcisnąć do oporu uszczelkę kabla (d) - uszczelka ma przecięcie umożliwiające założenie na przewód.
4. Dokręcić do oporu nakrętkę (b)



### UWAGA!

Złącze zasilania 12VDC nie jest hermetyczne. Użytkownik powinien uszczelnić je we własnym zakresie.



## URUCHAMIANIE I WSTĘPNA KONFIGURACJA

### 2.3. Funkcja „Two way power”

Kamera jest wyposażona w funkcję „Two way power”. Gdy kamera jest podłączona do switcha PoE, w gnieździe zasilania kamery 12V jest dostępne napięcie 12V. Pozwala to na zasilenie z gniazda kamery odbiornika o niewielkim poborze mocy, np mikrofonu.

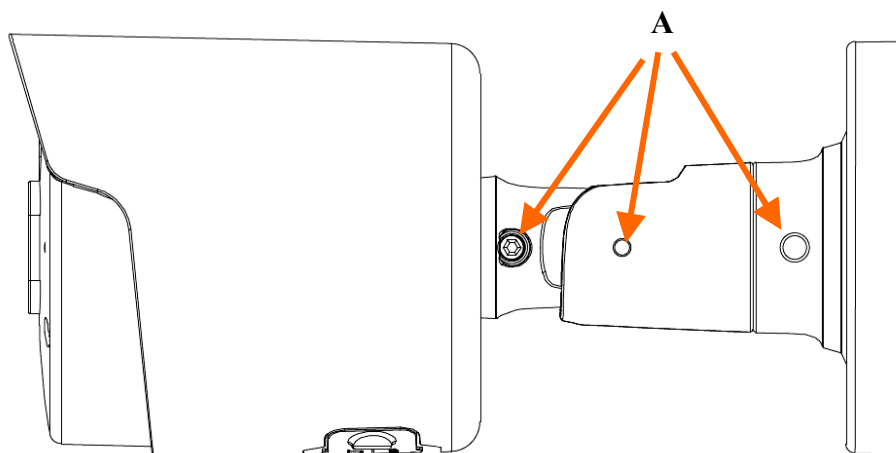


Maksymalny pobór mocy pobierany przez urządzenie korzystające z funkcji ‘Two way power’ to 3W.

### 2.4. Montaż kamery

W celu zamontowania kamery należy postępować zgodnie z podaną procedurą:

- Przyłożyć stopę kamery lub szablon do miejsca montażu
- Zaznaczyć punkty pod przyszłe otwory mocujące i przepust kablowy.
- Wywiercić otwory montażowe i otwór pod kabel sygnałowy
- Zamocować kamerę przy użyciu załączonych kołków i wkrętów.
- Poluzować śruby kontruujące „A”
- Dokonać regulacji położenia kamery
- Dokręcić śruby kontruujące „A”



#### UWAGA!

Należy zwrócić szczególną uwagę, aby powierzchnia do której mocowany jest uchwyt i kamera miała odpowiednią nośność.

#### UWAGA!

Deklarowana klasa szczelności kamery dotyczy jej obudowy i nie uwzględnia możliwości wnikania wilgoci do wnętrza kamery poprzez przewody przyłączeniowe. Zabezpieczenie przewodów poprzez np. uszczelnienie ich odpowiednią masą jest obowiązkiem osoby instalującej kamerę. Producent nie ponosi odpowiedzialności za wszelkie szkody, uszkodzenia kamery powstałe w skutek niedopełnienia w/w obowiązku co jednocześnie oznacza, iż nie podlegają one naprawom gwarancyjnym.

## URUCHAMIANIE I WSTĘPNA KONFIGURACJA

### 2.5. Uruchomienie kamery

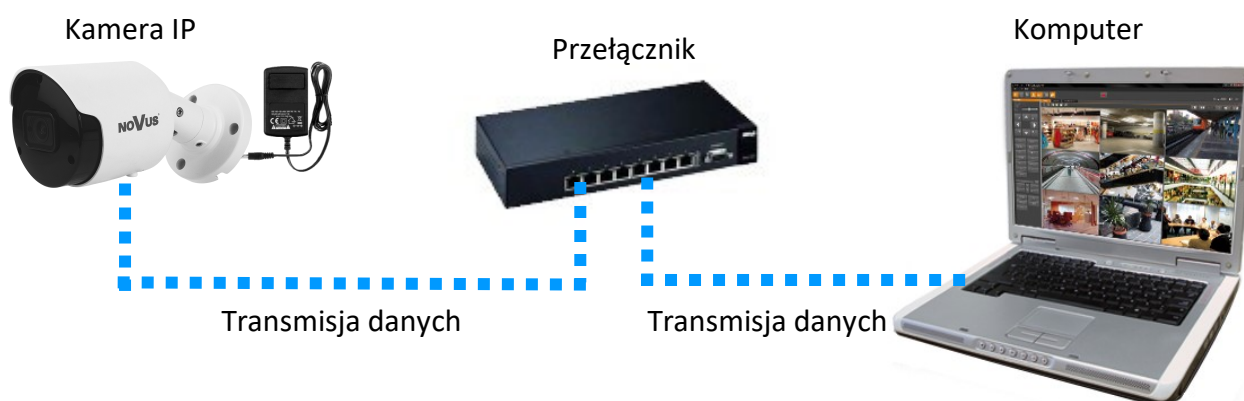
W celu uruchomienia kamery należy podłączyć kabel ethernetowy do gniazda sieciowego RJ45 kamery IP, a drugi koniec do przełącznika sieciowego. Jako źródło zasilania możliwe jest wykorzystanie zewnętrznego stabilizowanego zasilacza o parametrach spełniających wymagania kamery lub przełącznika sieciowego PoE.

Zalecaną metodą uruchomienia i konfiguracji kamery IP jest połączenie jej do komputera PC lub laptopa w wydzielonym przełączniku sieciowym, do którego nie ma podłączonych innych urządzeń. W przypadku zasilania z zewnętrznego zasilacza wystarczy zastosować dowolny przełącznik sieciowy, lub kabel podłączony bezpośrednio do komputera. W celu uzyskania danych potrzebnych do konfiguracji sieci (adres IP, brama, maska sieci itd.) należy skontaktować się z administratorem sieci, w której urządzenie ma pracować.

- Połączenie wykorzystujące przełącznik sieciowy PoE

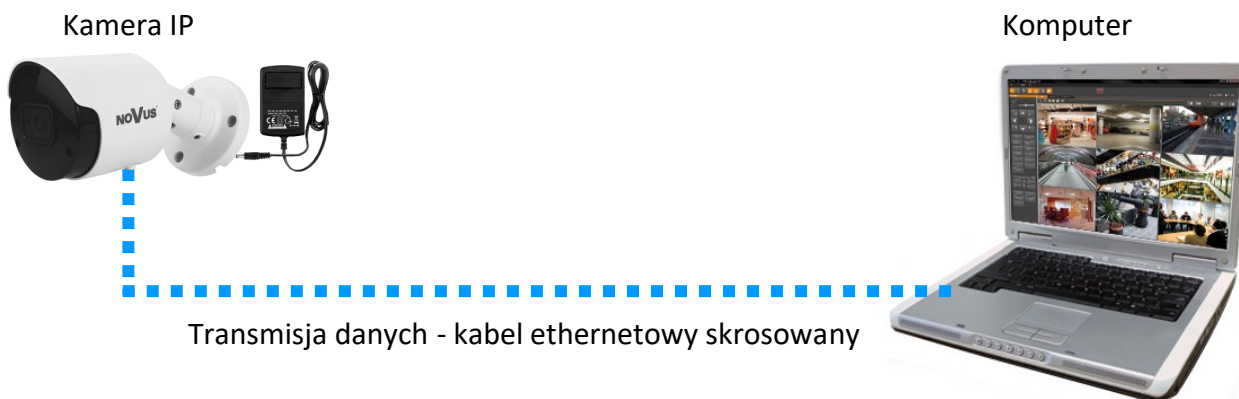


- Połączenie wykorzystujące zewnętrzne zasilanie kamery i przełącznik sieciowy



## URUCHAMIANIE I WSTĘPNA KONFIGURACJA

- Połączenie wykorzystujące zewnętrzne zasilanie kamery i kabel ethernetowy



### 2.6. Konfiguracja parametrów przy użyciu przeglądarki internetowej

Domyślne ustawienia sieciowe dla kamer IP to :

1. Adres IP = **192.168.1.200**
2. Maska sieci - **255.255.255.0**
3. Brama - **192.168.1.1**
4. Nazwa użytkownika - **root**
5. Hasło - **pass**

Znając adres IP kamery należy ustawić adres IP komputera w taki sposób aby oba urządzenia pracowały w jednej podsieci (dla adresu IP kamery 192.168.1.200 jako adres IP komputera PC możemy ustawić adres z zakresu 192.168.1.0 - 192.168.1.254, np.: 192.168.1.60). Niedopuszczalne jest ustawianie adresu komputera takiego samego jak adres kamery.

Wykorzystując połączenie przez przeglądarkę internetową Internet Explorer lub oprogramowanie NMS należy ustawić docelową konfigurację sieciową (adres IP, maskę sieci, bramę, serwery DNS) lub włączyć tryb pracy DHCP pozwalający na pobranie adresu IP z serwera DHCP (wymagany jest wówczas działający serwer DHCP). W przypadku korzystania z serwera DHCP należy upewnić się co do długości okresu dzierżawy adresu IP, jego powiązania z adresem MAC kamery IP w celu uniknięcia zmiany lub utraty adresu IP w czasie pracy urządzenia lub chwilowej awarii sieci / serwera DHCP. Należy pamiętać że po zmianie adresu IP kamera zostanie zresetowana i trzeba wpisać nowy adres w przeglądarce internetowej. Po konfiguracji ustawień sieciowych pozwalających na bezkonfliktową pracę urządzenia, kamerę IP możemy podłączyć do sieci docelowej.

## URUCHAMIANIE I WSTĘPNA KONFIGURACJA

---

---

### 2.7. Zalecenia dotyczące bezpieczeństwa sieci

#### UWAGA!

Poniżej zostały przedstawione podstawowe zalecenia dotyczące budowy oraz konfiguracji systemów telewizji dozorowej podłączonych do sieci Internet, pozwalające ograniczyć ryzyko nieautoryzowanej ingerencji w system przez osoby trzecie.

1. Bezwzględnie należy zmienić domyślne hasła dostępu oraz nazwy użytkowników (jeśli dane urządzenia dają taką możliwość) wszystkich zastosowanych urządzeń sieciowych (tzn. rejestratora, kamer, routerów, przełączników sieciowych itp.) na hasła o znacznym stopniu skomplikowania. W zależności od możliwości konfiguracji danego urządzenia zaleca się, aby hasło zawierało: małe litery, wielkie litery, cyfry oraz znaki specjalne.

2. W zależności od dostępnej funkcjonalności w celu ograniczenia dostępu do zastosowanych urządzeń sieciowych na poziomie konta administratora zaleca się odpowiednią konfigurację kont użytkowników.

3. Bezwzględnie zabronione jest wykorzystywanie funkcji DMZ (Demilitarized zone - strefa zdemilitaryzowana). Zastosowanie tej funkcji otwiera dostęp do systemu od strony sieci Internet na wszystkich możliwych portach, co w znacznym stopniu ułatwia ewentualną nieautoryzowaną ingerencję w system.

Zamiast wykorzystywania funkcji DMZ należy zastosować przekierowanie portów. Przekierowane powinny zostać jedynie porty niezbędne do realizacji połączenia (szczegółowych informacji na temat portów komunikacji w poszczególnych modelach rejestratorów, kamer itp. należy szukać w instrukcjach obsługi urządzeń).

4. Należy stosować routery wyposażone w funkcję zapory sieciowej (Firewall) oraz upewnić się że funkcja jest włączona oraz odpowiednio skonfigurowana.

5. Jeśli urządzenia sieciowe posiadają taką funkcjonalność zalecana jest zmiana domyślnych numerów portów wykorzystywanych do komunikacji sieciowej.

6. Jeśli urządzenia sieciowe posiadają funkcję UPnP i nie jest ona wykorzystywana, należy ją bezwzględnie wyłączyć.

7. Jeśli urządzenia sieciowe posiadają funkcję P2P i nie jest ona wykorzystywana, należy ją wyłączyć.

8. Jeśli urządzenia sieciowe obsługują protokół HTTPS do realizacji połączeń zaleca się jego stosowanie.

9. Jeśli urządzenia sieciowe obsługują funkcję filtracji adresów IP uprawnionych do nawiązywania połączenia zaleca się jej wykorzystywanie.

10. Jeśli zastosowany rejestrator sieciowy wyposażony jest w dwa interfejsy sieciowe zaleca się odseparowanie sieci do której podłączone są kamery od sieci posiadającej połączenie internetowe. Dzięki temu urządzeniem dostępnym z poziomu sieci Internet będzie rejestrator natomiast połączenie z kamerami nie będzie możliwe.

## POŁĄCZENIA SIECIOWE ZA POMOCĄ PRZEGLĄDARKI WWW

### 3. POŁĄCZENIA SIECIOWE ZA POMOCĄ PRZEGLĄDARKI WWW

#### 3.1. Zalecana konfiguracja komputera PC do połączeń przez przeglądarkę WWW

Poniższe wymagania dotyczą połączenia z kamerą IP przy założeniu płynnego wyświetlania obrazu wideo w maksymalnej rozdzielczości.

1. Procesor **Intel Core i3 3GHz** lub wyższy
2. Pamięć **RAM min. 4 GB**
3. Karta grafiki (dowolna **Nvidia GeForce 512MB Ram** lub odpowiednik)
4. System operacyjny **Windows 8/8.1/10**
5. Karta sieciowa **100/1000 Mb/s**

#### 3.2. Pierwsze połączenie z kamerą za pomocą przeglądarki WWW

Na pasku adresu przeglądarki WWW należy wpisać adres IP kamery. Po połączeniu wyświetlą się: okno definiowania hasła administratora i następnie okno pytań bezpieczeństwa, pozwalających odzyskać dostęp do kamery w przypadku zapomnienia hasła administratora, bez konieczności resetowania.

##### Definiowanie hasła administratora

Przy pierwszym połączeniu z kamerą wyświetli się okno definiowania hasła administratora.



Przy pierwszym połączeniu z kamerą, okna etapu definiowania hasła mogą wyświetlać się w języku angielskim.

W pole „New Password” należy wpisać, a następnie powtórzyć dla potwierdzenia w polu „Confirm Password”, hasło dla konta administratora. Siła hasła jest wskazywana na wskaźniku „Password Strength”, a wymogi dla jego tworzenia można zobaczyć w wyskakującym okienku, widocznym po najechaniu kursorem na symbol znaku zapytania.

## POŁĄCZENIA SIECIOWE ZA POMOCĄ PRZEGLĄDARKI WWW

Po pomyślnym zdefiniowaniu hasła administratora wyświetli się okno wyboru pytań odzyskiwania dostępu do kamery.

Aby aktywować pytania bezpieczeństwa, należy zaznaczyć opcję „Security Question Configuration”. Następnie z list pytań „Security Question” należy wybrać pytania, a w pola odpowiedzi „Answer” należy wpisać własne odpowiedzi.



Wymagane jest udzielenie odpowiedzi na wszystkie pytania. Wybrane pytania i odpowiedzi należy przechowywać w miejscu zabezpieczonym przed dostępem osób niepowołanych. Po zapisaniu odpowiedzi nie można ich zmienić, a podanie nowych jest możliwe po przywróceniu ustawień fabrycznych.

Ponieważ kamera nie analizuje sensu odpowiedzi a jedynie je zapamiętuje, może nią być dowolny ciąg znaków. Na każde z pytań można udzielić takiej samej odpowiedzi.

Po wprowadzeniu niezbędnych zmian zapisujemy je naciskając przycisk „OK”. Kamera potwierdzi prawidłowość przeprowadzonych operacji wyświetleniem okna potwierdzenia. Po naciśnięciu przycisku „OK” w oknie potwierdzenia wyświetli się okno logowania do panelu www kamery.



Aktywowanie pytań bezpieczeństwa nie jest obowiązkowe. Ten krok można pominąć, naciskając przycisk „OK” bez zaznaczania opcji „Security Question Configuration”, lub naciskając przycisk „Cancel”. Jednak w tym wypadku opcja odzyskiwania hasła będzie niedostępna i jedynym sposobem przywrócenia dostępu do kamery w przypadku utracenia hasła będzie reset przyciskiem.

## POŁĄCZENIA SIECIOWE ZA POMOCĄ PRZEGLĄDARKI WWW

### Odzyskiwanie hasła administratora

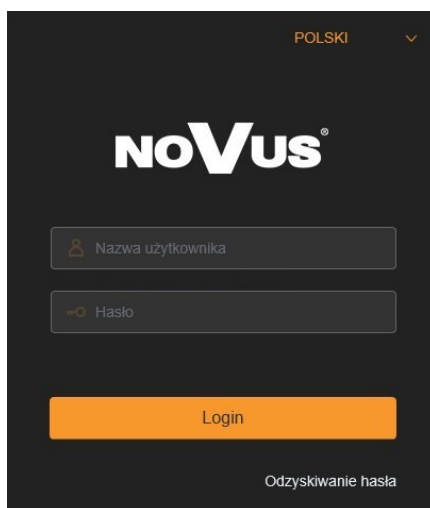
Aby odzyskać dostęp do kamery w przypadku zapomnienia hasła, należy kliknąć na link „Odzyskiwanie hasła” w prawym dolnym rogu okna logowania. Wyświetli się okno odzyskiwania hasła, w którym w odpowiednie pola należy wpisać podane podczas konfiguracji odpowiedzi, a następnie należy ustawić nowe hasło.

### Logowanie się do kamery

Aby zalogować się do kamery, w oknie logowania należy wpisać nazwę konta administratora **root** i ustawione hasło.



W górnej części okna logowania znajduje się lista wyboru języka, w którym będzie wyświetlane menu kamery.



Podczas pierwszego logowania, kamera może wyświetlić komunikat o konieczności zainstalowania wtyczki „SurveillancePluginV2.exe”, niezbędnej do wyświetlania wideo (komunikat ten pojawi się, jeśli w systemie nie było wcześniej zainstalowanej wtyczki, lub jeśli taka wtyczka jest, ale jest w nieodpowiedniej wersji).

W takim wypadku należy kliknąć na link „Pobierz i zainstaluj wtyczkę” i postępować zgodnie z poleceniami instalatora. Po zakończeniu instalacji należy odświeżyć okno przeglądarki. Po tych czynnościach w oknie podglądu na żywo powinien wyświetlić się obraz z kamery.

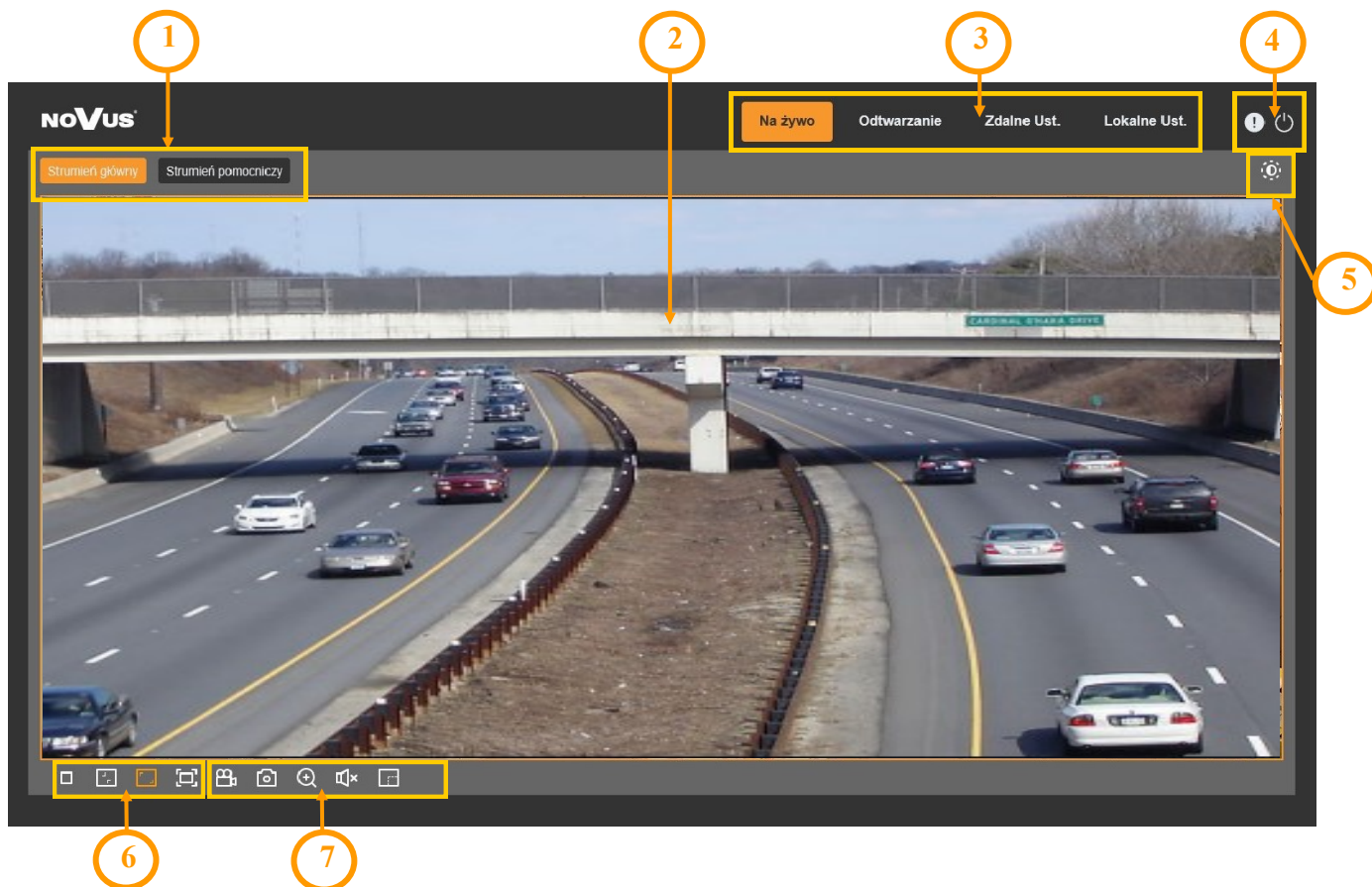
Wideo na żywo będzie odtwarzane dopiero po zainstalowaniu wtyczki odtwarzacza. **Pobierz i zainstaluj wtyczkę.** Po zainstalowaniu wtyczki, odśwież okno lub uruchom ponownie przeglądarkę.

Jeśli proces instalacji wtyczki zostanie wstrzymany przez Zabezpieczenia Windows, należy zezwolić na instalację i uruchomienie dodatku.

## INTERFEJS WWW - PRACA Z KAMERA

### 4. INTERFEJS WWW - PRACA Z KAMERA

#### 4.1. Widok okna zdalnego podglądu



1. Przyciski wyboru strumienia do wyświetlania w oknie zdalnego podglądu.

2. Okno podglądu na żywo.

Dwukrotne kliknięcie lewym przyciskiem myszy na oknie podglądu włącza i wyłącza wyświetlanie obrazu na całym ekranie.

3. Przyciski wyboru trybu pracy i konfiguracji kamery:

- |                    |  |
|--------------------|--|
| Na żywo            | - włącza podgląd strumienia na żywo                                |
| Odtwarzanie        | - włącza panel odtwarzania nagrań z karty pamięci                  |
| Zdalne Ustawienia  | - wyświetla panel konfiguracyjny kamery                            |
| Lokalne Ustawienia | - wyświetla panel konfiguracji ścieżek dostępu do folderów zrzutów |



## INTERFEJS WWW - PRACA Z KAMERĄ

---

### 4. Ikony dostępu do kamery:



- wyświetla informacje o zalogowanym użytkowniku i wersji apletu



- wylogowanie z kamery

5. Włącza i wyłącza panel do ustawiania parametrów obrazu. W panelu jest możliwość regulowania odcienia kolorów, jasności, kontrastu, nasycenia kolorów i ostrości (wyrazistości).

### 6. Przyciski sterowania obrazem



- włącza i wyłącza podgląd na żywo



- ustawia oryginalne proporcje obrazu



- dopasowuje obraz do okna przeglądarki



- włącza pełny ekran

### 7. Ikony sterujące dodatkowymi funkcjami:



- włącza i wyłącza nagrywanie strumienia wideo na dysku komputera



- wykonuje zrzut ekranu i zapisuje na dysku komputera



- włącza i wyłącza powiększanie fragmentu obrazu



- włącza i wyłącza audio



- włącza i wyłącza licznik pikseli (wyświetla rozmiar zaznaczonego obszaru)

## PRZYWRACANIE USTAWIEŃ FABRYCZNYCH, INSTALACJA KARTY SD

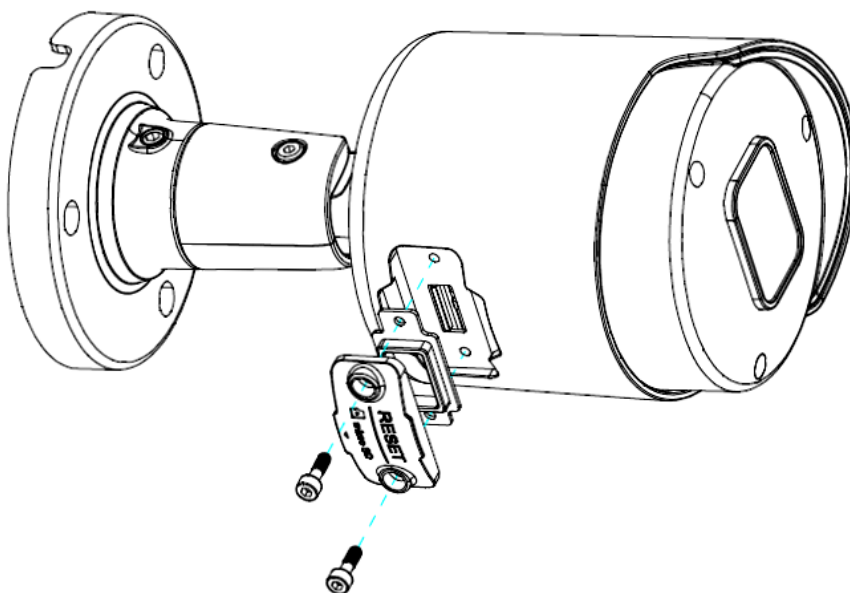
### 5. PRZYWRACANIE USTAWIEŃ FABRYCZNYCH KAMERY

Kamera posiada w menu opcję resetowania swoich ustawień do wartości fabrycznych. Aby przywrócić ustawienia kamery do ustawień domyślnych należy przejść do zakładki „Ustawienia domyślne” (Zdalne Ustawienia -> Zarządzanie -> Ustawienia domyślne). Następnie należy wybrać opcje kamery, których ustawienia mają zostać zresetowane i nacisnąć przycisk „Zapisz”. Po potwierdzeniu hasłem administratora ustawienia kamery zostaną zresetowane.

Przywrócenie ustawień fabrycznych kamery jest także możliwe przez naciśnięcie i przytrzymanie przez około 5 sekund przycisku reset znajdującego się pod klapką w obudowie kamery.

### 6. INSTALACJA KARTY PAMIĘCI

Gniazdo karty pamięci microSD znajduje się pod klapką w obudowie kamery.



Aby zainstalować kartę pamięci, należy odłączyć zasilanie kamery, odkręcić śruby mocujące klapkę i wsunąć kartę do jej gniazda. Po zamknięciu klapki i uruchomieniu kamery należy przejść do menu „Zdalne Ustawienia -> Dyski” i sformatować kartę pamięci.



**noVus<sup>®</sup>**

**AAT SYSTEMY BEZPIECZEŃSTWA Sp. z o.o.**  
ul. Puławska 431, 02-801 Warszawa, Polska  
tel.: 22 546 0 546, kontakt@aat.pl  
[www.novuscctv.com/pl](http://www.novuscctv.com/pl)