

User's manual (short form)



NVIP-2DN5021H/IRH-1P/LPR

noVus[®]

IMPORTANT SAFEGUARDS AND WARNINGS

EMC (2014/30/EU) and LVD (2014/35/EU) Directives



Our products are manufactured to comply with requirements of the following directives and national regulations implementing the directives:

- Electromagnetic compatibility EMC 2014/30/EU.
- Low voltage LVD 2014/35/EU with further amendment. The Directive applies to electrical equipment designed for use with a voltage rating of between 50VAC and 1000VAC as well as 75VDC and 1500VDC.

WEEE WEEE 2012/19/UE

Information on Disposal for Users of Waste Electrical and Electronic Equipment



This appliance is marked according to the European 1000VAC Directive on Waste Electrical and Electronic Equipment (2012/19/UE) and further amendments. By ensuring this product is disposed of correctly, you will help to prevent potential negative consequences for the environment and human health, which could otherwise be caused by inappropriate waste handling of this product.

The symbol on the product, or the documents accompanying the product, indicates that this appliance may not be treated as household waste. It shall be handed over to the applicable collection point for used up electrical and electronic equipment for recycling purpose. For more information about recycling of this product, please contact your local authorities, your household waste disposal service or the shop where you purchased the product.

RoHS Directive 2011/65/UE

Out of concern for human health protection and friendly environment, we assure that our products falling under RoHS Directive regulations, regarding the restriction of the use of hazardous substances in electrical and electronic equipment, have been designed and manufactured in compliance with the above mentioned regulations. Simultaneously, we claim that our products have been tested and do not contain hazardous substances whose exceeding limits could have negative impact on human health or natural environment



Information

The device, as a part of professional CCTV system used for surveillance and control, is not designed for self installation in households by individuals without technical knowledge.

Excluding of responsibility in case of damaging data on a disk or other devices:

The manufacturer does not bear any responsibility in case of damaging or losing data on a disk or other devices during device operation.

WARNING!

PRIOR TO UNDERTAKING ANY ACTION THAT IS NOT DESCRIBED FOR THE GIVEN PRODUCT IN USER'S MANUAL AND OTHER DOCUMENTS DELIVERED WITH THE PRODUCT, OR IF IT DOES NOT ARISE FROM THE USUAL APPLICATION OF THE PRODUCT, MANUFACTURER MUST BE CONTACTED UNDER THE RIGOR OF EXCLUDING THE MANUFACTURER'S RESPONSIBILITY FOR THE RESULTS OF SUCH AN ACTION.

IMPORTANT SAFEGUARDS AND WARNINGS

WARNING!

THE KNOWLEDGE OF THIS MANUAL IS AN INDISPENSIBLE CONDITION OF A PROPER DEVICE OPERATION. YOU ARE KINDLY REQEUSTED TO FAMILIARIZE YOURSELF WITH THE MANUAL PRIOR TO INSTALLATION AND FURTHER DEVICE OPERATION.

WARNING!

USER IS NOT ALLOWED TO DISASSEMBLE THE CASING AS THERE ARE NO USER -SERVICEABLE PARTS INSIDE THIS UNIT. ONLY AUTHORIZED SERVICE PERSONNEL MAY OPEN THE UNIT

INSTALLATION AND SERVICING SHOULD ONLY BE DONE BY QUALIFIED SERVICE PERSONNEL AND SHOULD CONFORM TO ALL LOCAL REGULATIONS

1. Prior to undertaking any action please consult the following manual and read all the safety and operating instructions before starting the device.
2. Please keep this manual for the lifespan of the device in case referring to the contents of this manual is necessary;
3. All the safety precautions referred to in this manual should be strictly followed, as they have a direct influence on user's safety and durability and reliability of the device;
4. All actions conducted by the servicemen and users must be accomplished in accordance with the user's manual;
5. The device should be disconnected from power sources during maintenance procedures;
6. Usage of additional devices and components neither provided nor recommended by the producer is forbidden;
7. You are not allowed to use the camera in high humidity environment (i.e. close to swimming pools, bath tubs, damp basements);
8. Mounting the device in places where proper ventilation cannot be provided (e. g. closed lockers etc.) is not recommended since it may lead to heat build-up and damaging the device itself as a consequence;
9. Mounting the camera on unstable surface or using not recommended mounts is forbidden. Improperly mounted camera may cause a fatal accident or may be seriously damaged itself. The camera must be mounted by qualified personnel with proper authorization, in accordance with this user's manual.
10. Device should be supplied only from a power sources whose parameters are in accordance with those specified by the producer in the camera technical datasheet. Therefore, it is forbidden to supply the camera from a power sources with unknown parameters, unstable or not meeting producer's requirements;

Information

Due to the product being constantly enhanced and optimized, certain parameters and functions described in the manual in question may change without further notice. We strongly suggest visiting the www.novusctv.com website in order to access the newest manual

Data included in the following user's manual is up to date at the time of printing. AAT Holding S.A. holds exclusive rights to modify this manual. The producer reserves the rights for device specification modification and change in the design without prior notice.

TABLE OF CONTENTS

TABLE OF CONTENTS	4
1. FOREWORD INFORMATION	5
1.1. General Characteristics.....	5
1.2. Specification of NVIP-2DN5021H/IRH-1P/LPR camera.....	6
2. SPECIFICATION	8
2.1. Camera dimensions.....	8
2.2. Package contents.....	8
2.3 Description of connectors and control tools.....	10
2.4 Cable overview with connectors description.....	10
3. INSTALLATION	11
3.1 Requirements for LPR camera installation.....	11
3.2 Connecting Ethernet cable.....	13
3.3 Camera installation.....	13
4. START-UP AND INITIAL CAMERA CONFIGURATION	15
4.1. Starting the IP camera.....	15
4.2. Initial configuration via the web browser.....	16
4.3. Security recommendations for network architecture and configuration.....	17
5. NETWORK CONNECTION VIA WEB BROWSER	18
5.1. Recommended PC specification for web browser connections.....	18
5.2. Connection with IP camera via web browser.....	18
6. WWW INTERFACE - WORKING WITH IP CAMERA	21
6.1. Displaying live video.....	21
6.2. Adding a site to the Compatibility View list.....	22
6.3. LPR settings configuration.....	23
6.3.1. List Configure.....	23
6.3.2. Parameter Configure.....	24
6.3.3. Linkage Configure.....	24
6.3.4. LPR Search.....	25
6.4. Sensor parameters configuration.....	25
6.4.1. Schemes and schedules.....	25
6.4.2. Sensor menu configuration for LPR camera.....	25
7. ELECTRIC CONNECTORS AND ACCESORIES	26
7.1. Connecting power supply to the camera.....	26
7.2. Connecting alarm inputs/outputs.....	26
7.3. SD card installation.....	28
8. RESTORING FACTORY DEFAULTS	29
8.1. Restoring software factory defaults.....	29
8.2. Restoring hardware factory defaults in IP cameras.....	29

FOREWORD INFORMATION

1. FOREWORD INFORMATION

1.1. General Characteristics

- Imager resolution: 2.0 megapixels
- Mechanical IR cut filter
- IR operation capability
- Min. Illumination from 0.01 lx/F=1.2
- Digital Slow Shutter (DSS)
- Digital Noise Reduction (DNR)
- Defog Function (F-DNR)
- Highlight Compensation (HLC)
- Back Light Compensation (BLC)
- Wide Dynamic Range (WDR)
- Digital Image Stabilization (DIS)
- Lens: motor-zoom, auto-iris and auto-focus function , f=7 ~ 22 mm/F1.2
- Built-in IR illuminator, 17 LEDs
- 4 Privacy Mask
- Compression: H.264, M-JPEG
- Max video processing resolution: 1920 x 1080 (Full HD)
- Multi streaming: individually defined compression, resolution, speed and quality
- RTP/RTSP protocol support for video transmission
- Pre & post-alarm functions
- Built-in webserver: camera configuration through the website
- Licence plate recognition (LPR)
- Autonomous operation mode - recognition function implemented in the camera
- Barrier control by built-in relay output
- Recognized number plates of all countries of the European Union, CIS countries, Turkey, Israel, Switzerland, Norway and others.
- Recognition of plates for vehicles moving from a speed up to 50 km / h.
- Data recorded in the camera base about recognition date/time, number of recognised licence plate, image of recognised licence plate, vehicle movement direction, system reaction, presence on the "white list" or "black list", country of origin of the registration plate
- MicroSD card support to 64GB
- Network protocol support : ONVIF (Profile S), HTTP, TCP/IP, IPv4, UDP, HTTPS, Multicast, FTP, DHCP, DNS, DDNS, NTP, RTSP, PPPoE, SMTP
- Software: NMS (NOVUS MANAGEMENT SYSTEM) for video recording, live monitoring, playback and remote IP devices administration
- Built-in Heater
- Degree of Protection IP66
- Power supply: 12VDC and PoE (Power over Ethernet)

eng

FOREWORD INFORMATION

1.2. Specification of NVIP-2DN5021H/IRH-1P/LPR camera

Image	
Image Sensor	2 MPX CMOS sensor 1/2.9" SONY Exmor
Number of Effective Pixels	1984 (H) x 1105 (V)
Min. Illumination	0.01 lx/F1.2 - color mode, 0 lx (IR on) - B/W mode
Electronic Shutter	auto/manual: 1 s ~ 1/10000 s
Digital Slow Shutter (DSS)	up to 1 s
Wide Dynamic Range (WDR)	yes
Digital Image Stabilization (DIS)	yes
Digital Noise Reduction (DNR)	2D, 3D
Defog Function (F-DNR)	yes
Highlight Compensation (HLC)	yes
Back Light Compensation (BLC)	yes
Lens	
Lens Type	motor-zoom, auto-iris function, f=7 ~ 22 mm/F1.2
Auto-focus	zoom trigger, manual trigger
Day/Night	
Switching Type	mechanical IR cut filter
Switching Mode	auto, manual, time
Switching Level Adjustment	yes
Switching Delay	0 ~ 180 s
Switching Schedule	yes
Visible Light Sensor	yes
Network	
Stream Resolution	1920 x 1080 (Full HD), 1280 x 720 (HD), 704 x 576, 704 x 480, 640 x 480 (VGA), 640 x 360, 352 x 288 (CIF), 320 x 240 (QVGA)
Frame Rate	30 fps for 1920 x 1080 (Full HD) and lower resolutions
Multistreaming Mode	2 streams
Video/Audio Compression	H.264, MJPEG/G.711, RAW_PCM
Number of Simultaneous Connections	max. 8
Bandwidth	25 Mb/s in total
Network Protocols Support	HTTP, TCP/IP, IPv4, UDP, HTTPS, Multicast, FTP, DHCP, DNS, DDNS, NTP, RTSP, PPPoE, SMTP
ONVIF Protocol Support	Profile S
Camera Configuration	from Internet Explorer browser, languages: Polish, English, Russian, and others
Compatible Software	NMS
Other functions	
Privacy Zones	4
Motion Detection	yes
Region of interest (ROI)	5
Image Processing	180° image rotation, sharpening, mirror effect, corridor mode
Prealarm/Postalarm	up to 5 MB/up to 86400 s
System Reaction to Alarm Events	e-mail with attachment, saving file on FTP server, saving file on SD card

FOREWORD INFORMATION

Licence plate recognition (LPR)	
Autonomous operation mode	yes - recognition function implemented in the camera
Types of recognized number plates	all countries of the European Union / CIS countries / Turkey / Israel / Switzerland / Norway and others
Barrier control	yes - built-in relay output
Recommended maximum speed of the vehicle	up to 50 km/h
Data recorded in the camera base	recognition date/time, number of recognised licence plate, image of recognised licence plate, vehicle movement direction, system reaction, presence on the "white list" or "black list", country of origin of the registration plate
Reactions for the licence plate recognition	e-mail with attachment, saving file on FTP server, alarm output activation
IR LED	
LED Number	17
Range	70 m
Angle	50°
Interfaces	
Video Output	BNC, 1.0 Vp-p, 75 Ohm - maintenance only
Audio Input/Output	1 x RCA/1 x RCA
Alarm Input/Output	1 (NO/NC)/1 relay type
Network Interface	1 x Ethernet - RJ-45 interface, 10/100 Mbit/s
Memory Card Slot	SD - capacity up to 64GB
Installation parameters	
Dimensions (mm)	with bracket: 110 (Φ) x 377 (L)
Weight	1.7 kg
Degree of Protection	IP 66 (details in the user's manual)
Enclosure	aluminium, white, fully cable managed wall mount bracket in-set included
Power Supply	PoE, 12 VDC
Power Consumption	6 W, 15 W (IR and heater on)
Operating Temperature	-30°C ~ 60°C
Built-in Heater/Fan	yes/no

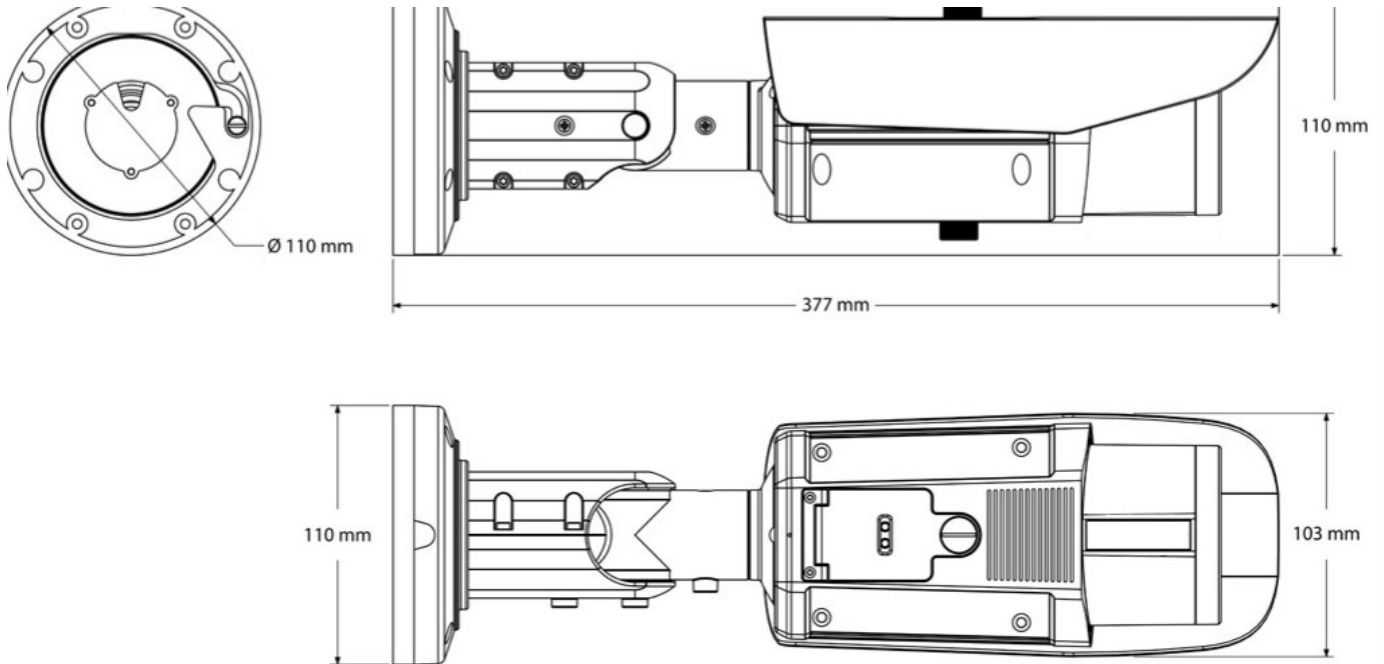
eng

SPECIFICATION

2. SPECIFICATION



2.1. Camera dimensions

Dimensions in mm.



2.2. Package contents

After you open the package make sure that the following elements are inside:

- IP camera,
- Mounting Plate 
- Mounting Screw Kit
- RCA-to-BNC Test Cable 
- Mounting Template,
- Short version of user's manual,

If any of this elements has been damaged during transport, pack all the elements back into the original box and contact your supplier for further assistance.

SPECIFICATION

Caution:

If the device was brought from a location with lower temperature, please wait until it reaches the temperature of location it is currently in. Turning the device on immediately after bringing it from a location with lower ambient temperature is forbidden, as the condensing water vapour may cause short-circuits and damage the device as a result.

Before starting the device familiarize yourself with the description and the role of particular inputs, outputs and adjusting elements that the device is equipped with.

Caution:

In order to provide protection against voltage surges/lightning strikes, usage of appropriate surge protectors is advised. Any damages resulting from surges are not eligible for service repairs.

Caution:

It is forbidden to use – as the camera power source – PoE equipment (adapters, etc.) not compatible with IEEE 802.3af standard (items called “passive PoE power supply”). Damages that results from the usage of improper power supply source are not covered by the warranty.

Caution:

Camera connectors / sockets are not hermetic. The user should ensure their hermeticity on his own.

Caution:

Please note that the wall or ceiling must have enough strength to support the IP Camera.

Caution:

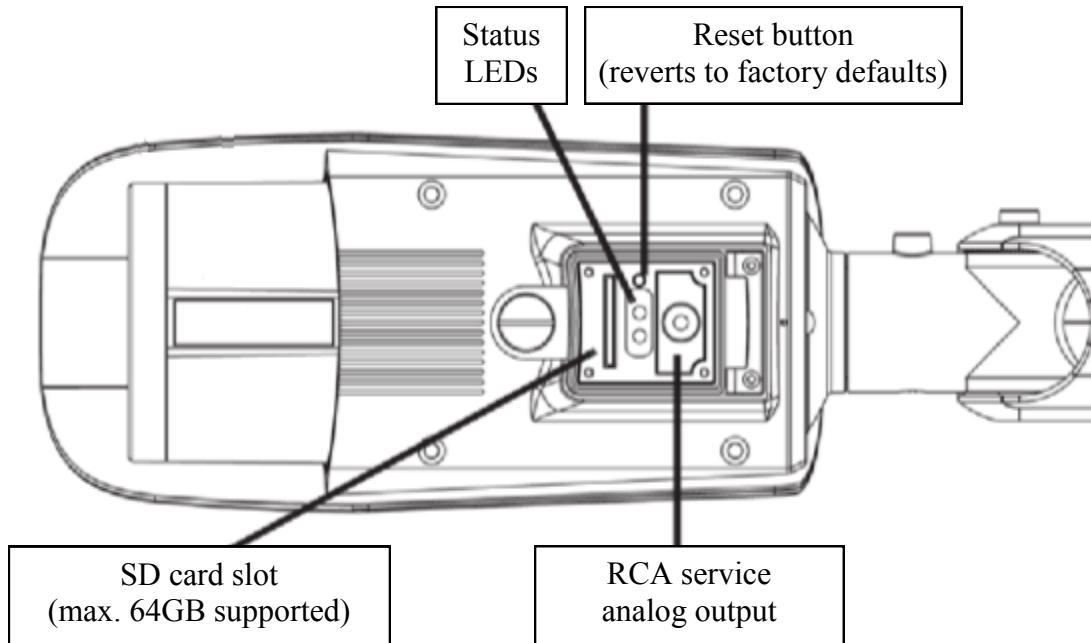
In order to obtain declared degree of protection please seal the camera base to prevent water getting inside. Furthermore, when installing the camera on rough/uneven surfaces, please additionally seal the junction with appropriate sealing mass. Please pay special attention to any mounting holes and if they are a loop-through ones, seal them too.

Caution:

The declared degree of protection of the camera relates to its housing and does not take into account the possibility of moisture infiltration into the interior of the camera by connecting cables. Connection cables protection through i.e. sealing up is the responsibility of the camera installer. The manufacturer is not liable for any damages to the camera caused as a result of failing in performing that activity by installer, which also means that camera damaged in that way is not subject to warranty repairs.

SPECIFICATION

2.3. Description of connectors and control tools



2.4. Cable overview with connectors description

1. 100 Mb/s Ethernet port (RJ-45 connector)

2. Power supply 12VDC

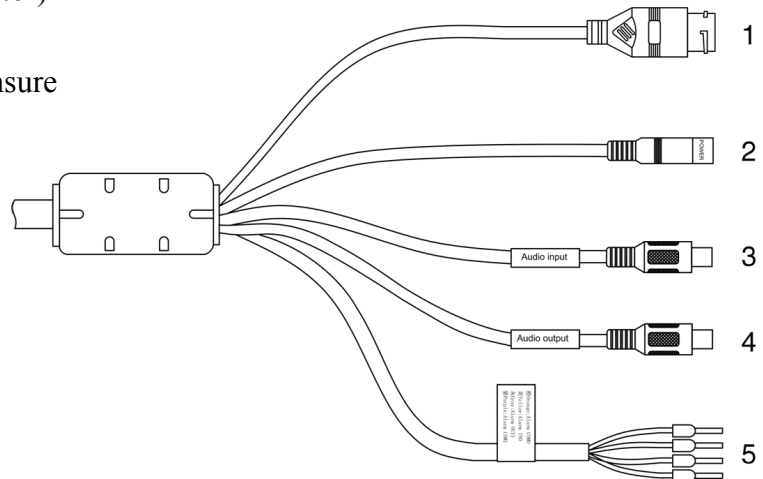
CAUTION! Please pay attention to ensure the correct power supply polarity!

3. Audio Input (RCA)

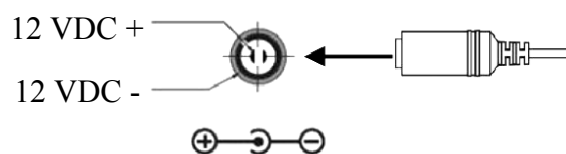
4. Audio Output (RCA)

5. Alarm input/output connectors

- alarm input (COM0 - orange)
- alarm input (IN0 - yellow)
- alarm output (COM1 - purple)
- alarm output (OUT1 - grey)



12 VDC power supply connection diagram



3. INSTALLATION

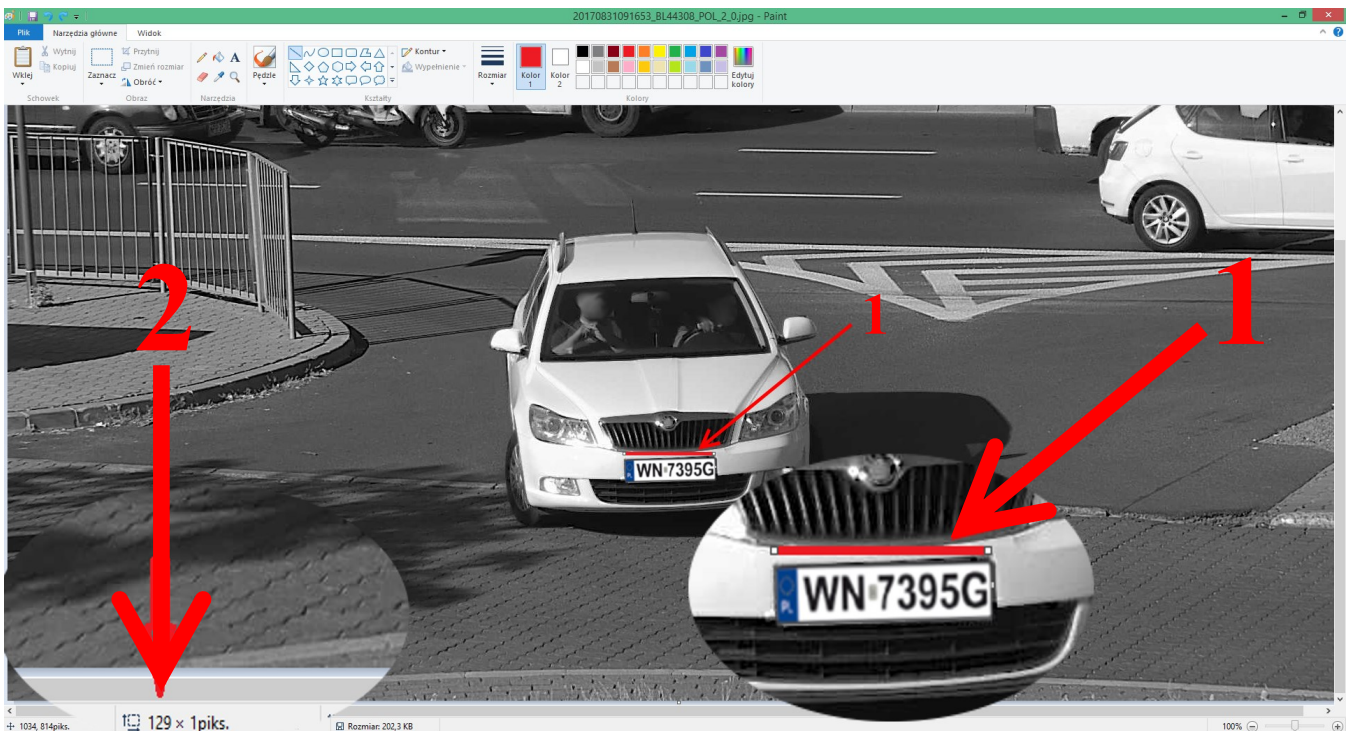
3.1. Requirements for LPR camera installation.

Requirements for the camera and the image subjected to analysis are as follows :

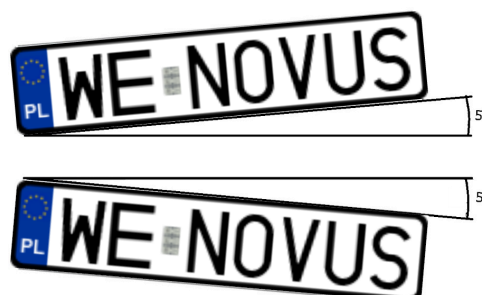
1. Licence plate should be well lit and not obstructed
2. The width of licence plate should be no less than:
 - 150 pixel for rectangular of single row licence plates and 100 pixel for double row licence plates (applies to license plates from Russia, Kazakhstan, Armenia, Uzbekistan and Serbia)
 - 130 pixel for rectangular of single row licence plates (the optimal width is from 150 to 200 pixels) and 70 pixel for double row licence plates (other countries)

eng

Information: One of ways to verify the width of the plate in the image is to take a screenshot from the camera, and then measure the width of the board in any graphic program such as Paint.



3. The angle of rotation in the axis of the license plate should not exceed 5 degrees as shown in the figure below:



INSTALLATION

4. The recommended camera settings for license plate recognition are the default settings of the NVIP-2DN5021H/IRH-1P/LPR camera, however, you may need to change these settings depending on the conditions prevailing at the camera installation site and the scene observed by the camera.

The details about basic configuration parameters are described in chapter 6.4 of this manual.

5. The vertical and horizontal tilt angle of camera relative to the recognized signs must not exceed combined 30 degrees.

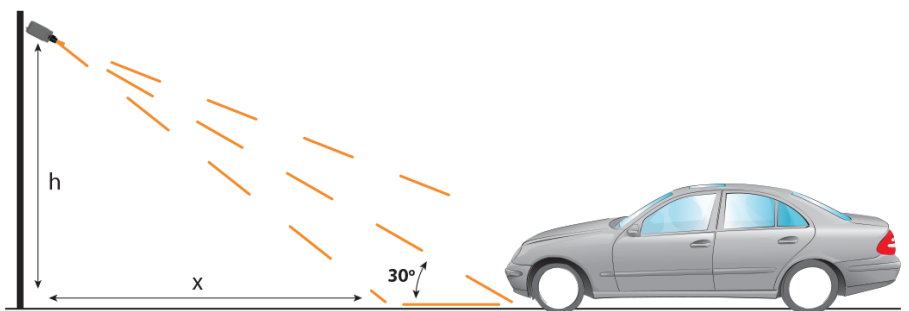
6. Make sure that the light does not fall on the number plate (visible as well as infrared).

7. Make sure the camera does not (directly or by reflection) observe the sun.

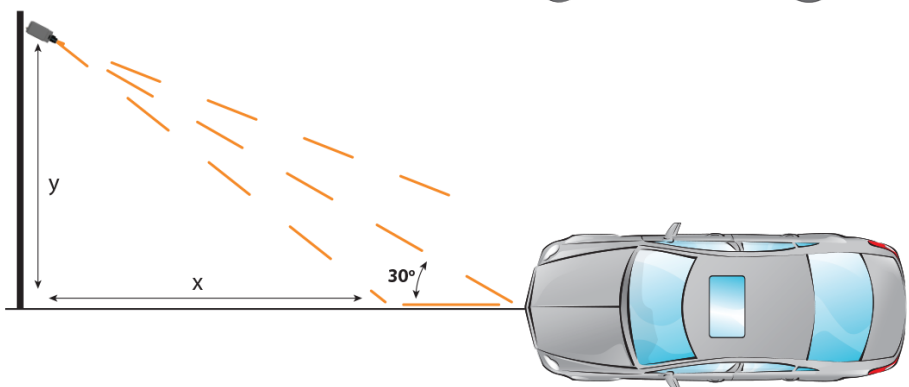
eng

Installation should be carried out keeping the following assumptions about field of view and installation angles for camera. Angles are shown on following figures and tables. Sample calculations are shown in tables which contain a maximum distance 30 degree angle. The vertical and horizontal tilt angle of camera relative to the recognized signs must not exceed combined 30 degrees.

h [m]	Minimal distance x [m]
1	1,7
1,5	2,6
2	3,4
2,5	4,3
3	5,1
3,5	6
4	6,8



Y [m]	Minimal distance x [m]
1	1,7
1,5	2,6
2	3,4
2,5	4,3
3	5,1
3,5	6
4	6,8



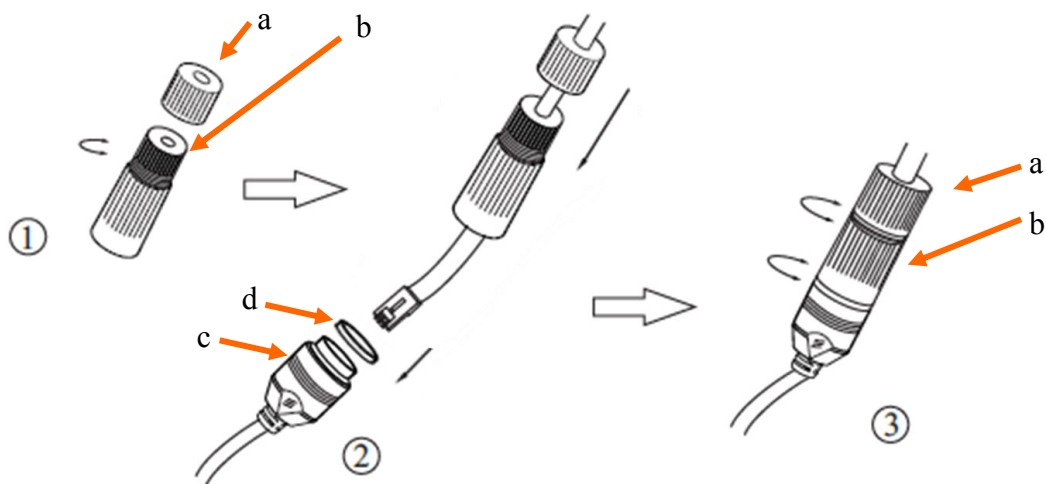
INSTALLATION

3.2 Connecting Ethernet cable

To maintain tightness of Ethernet cable connection, please follow instruction below:

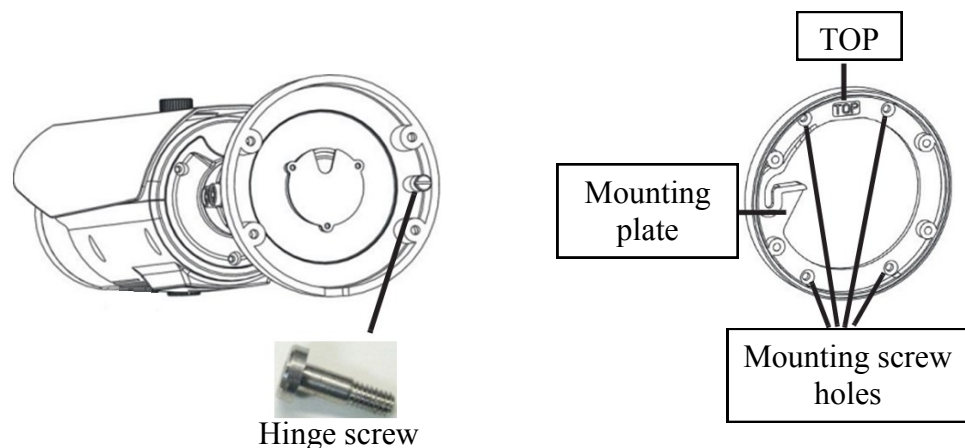
1. Loosen the nut (a) from the main element (b).
2. Run power cable (without RJ-45 connector) though both elements. Then crimp the cable with RJ-45 connector. Install rubber gasket (d) on the connector (c).
3. Connect the cable to the hermetic connector (c), screw main cover (b), then screw the nut (a).

CAUTION! The other camera connectors are not hermetic. User should seal them by himself.



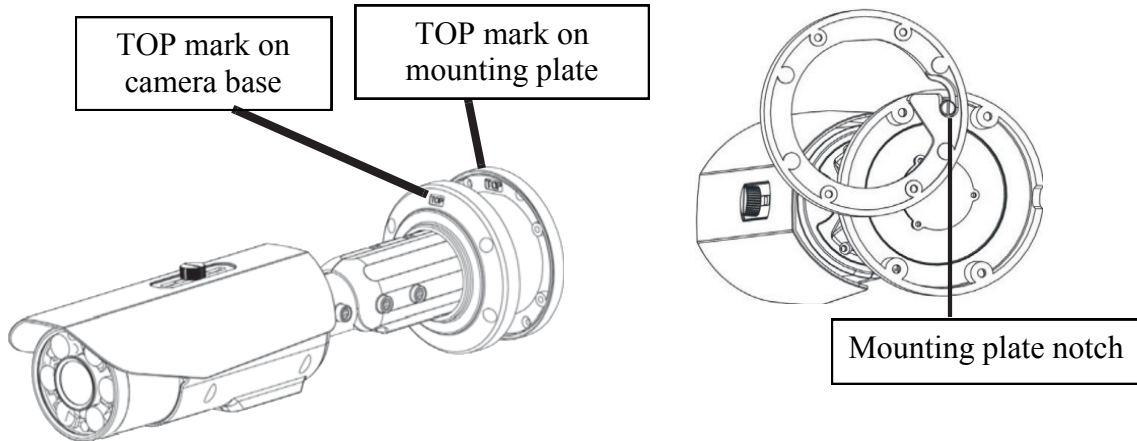
3.3 Camera installation

- Put mounting drawing paper to the wall or ceiling and mark drill holes.
- Drill holes using markings.
- Drill additional hole for video and power cables.
- Using mounting screws from the package, attach the mounting plate of camera to the ceiling/wall. Align the mounting plate with the TOP mark facing you.
- Make sure the hinge screw is attached to the back of the camera.

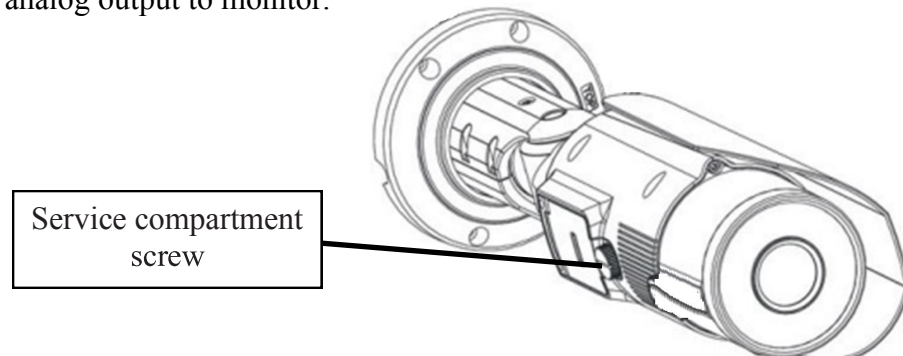


INSTALLATION

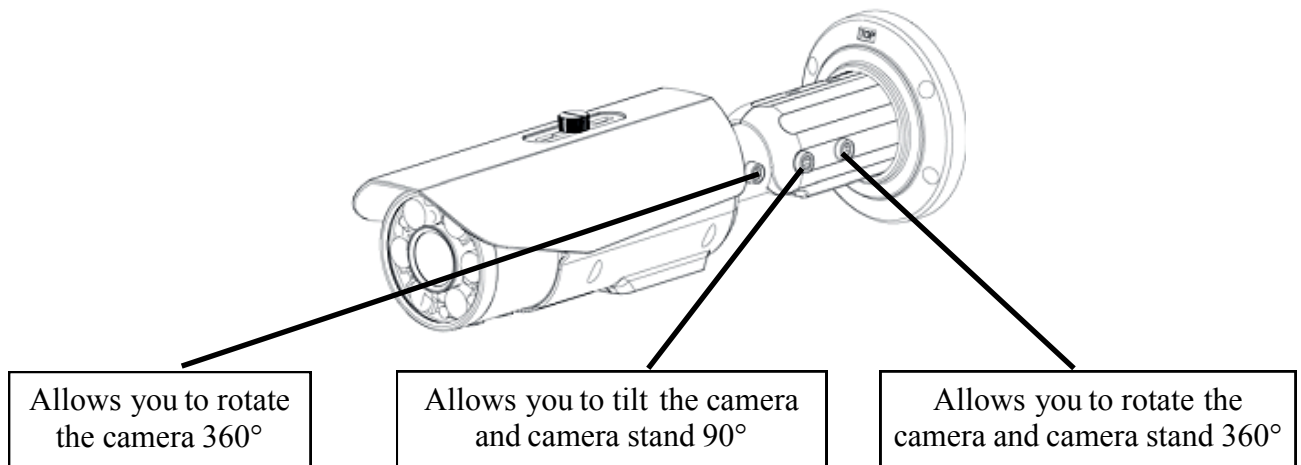
- Put video and power cables through a previously drilled hole in the wall/ceiling.
- Align the TOP mark on the camera base with the TOP mark on the mounting plate, rotate the camera approximately 10° clockwise, and then rotate the camera counterclockwise to slide the hinge screw into the notch on the mounting plate.



- Attach the camera to the mounting plate using the allen screws.
- (Optional) Unscrew the service compartment screw and open the service compartment. Connect the RCA service analog output to monitor.



- Make connections of all necessary electrical connectors (description in chapter 7 of this user's manual).
- Manually point the camera in a desired direction to obtain a desired scene view.
- Close the service compartment and screw the service compartment screw.



START-UP AND INITIAL CAMERA CONFIGURATION

4. START-UP AND INITIAL CAMERA CONFIGURATION

4.1. Starting the IP camera

To run NOVUS IP camera you have to connect ethernet cable between camera and network switch with PoE support (IEEE 802.3af).

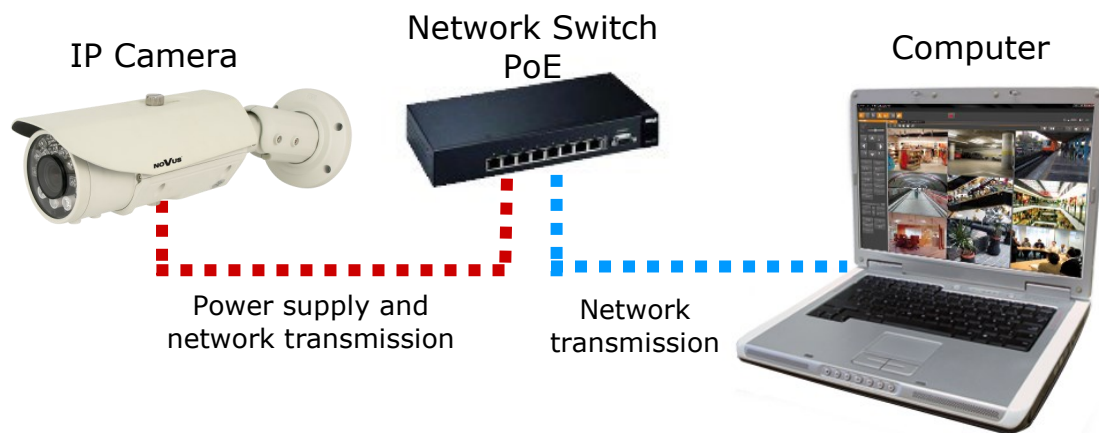
You can also connect it directly via power supply adapter with parameters compatible with camera power supply specification. The description of connecting power supply to the camera is in chapter 7.

After connecting power status red LED should light on. Initialization process is then started which can take about 2 minutes. You can then proceed to connect to the camera via web browser.

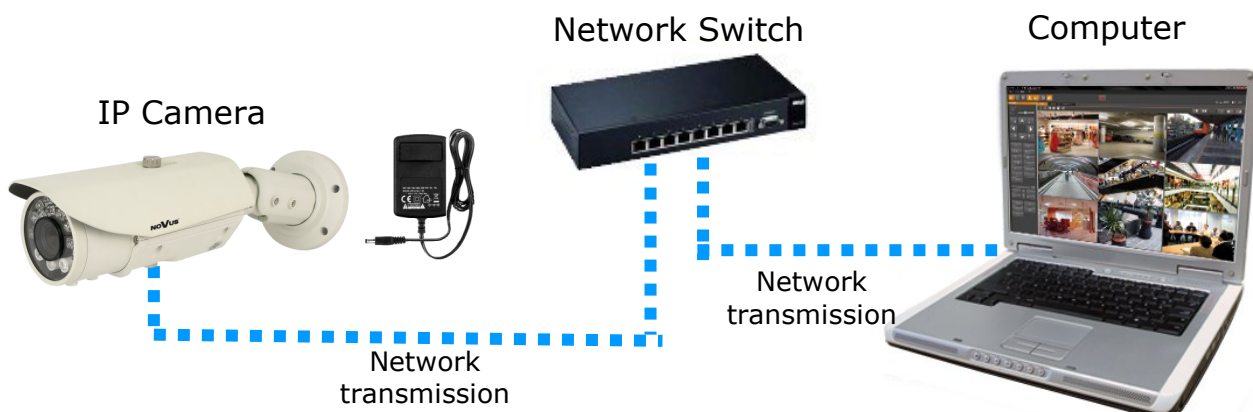
If the connection is successfully established green network status LED blinks with a frequency proportional to the quantity of data sent

The recommended way to start an IP camera and perform its configuration is a connection directly to the network switch which is not connected to other devices. To obtain further information about network configuration parameters (IP address, gateway, network mask, etc.) please contact your network administrator.

- Connection utilising network switch with PoE support

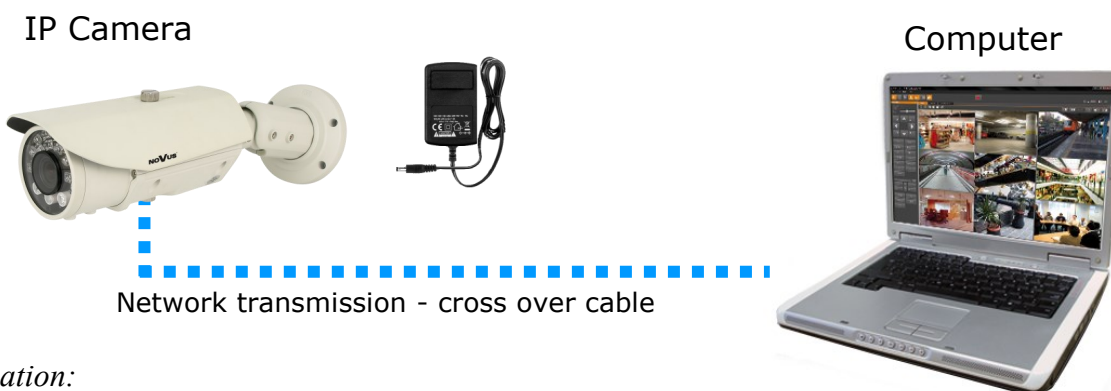


- Connection utilising external power supply and network switch



START-UP AND INITIAL CAMERA CONFIGURATION

- Connection utilising external power supply directly to the computer



Information:

Power supply adapter is not included. Please use power adapter with parameters specified in user's manual.

Caution:

In order to provide protection against voltage surges/lightning strikes, usage of appropriate surge protectors is advised. Any damages resulting from surges are not eligible for service repairs.

4.2. Initial configuration via the web browser

The default network settings for NVIP-2DN5021H/IRH-1P/LPR camera are :

1. IP address= **192.168.1.200**
2. Network mask - **255.255.255.0**
3. Gateway - **192.168.1.1**
4. User name - **root**
5. Password - **pass**

Knowing the camera's IP address you need to appropriately set PC IP address, so the two devices can operate in one network subnet (e.g. for IP 192.168.1.1, appropriate address for the camera ranges from 192.168.1.2 to 192.168.1.254, for example 192.168.1.60). It is not allowed to set the same addresses for camera and PC computer

You can either set a network configuration (IP address, gateway, net mask, etc.) of NOVUS IP camera yourself or select DHCP mode (DHCP server is required in this method in target network) by using web browser or by NMS software. When you use DHCP server check IP address lease and its linking with camera MAC address to avoid changing or losing IP address during device operation or network/DHCP server breakdown. You have to remember to use a new camera IP address after changing network parameters.

After network setting configuration has been done, the camera can be connected to a target network.

START-UP AND INITIAL CAMERA CONFIGURATION

4.3. Security recommendations for network architecture and configuration

WARNING!

Below are shown security recommendations for network architecture and configuration of CCTV systems that are connected to the Internet to reduce the risk of unauthorized interference with the system by a third party.

1. Absolutely change the default passwords and user names (if the device gives this possibility) of all applied network devices (recorders, cameras, routers, network switches, etc.) to the severely complexity password. Use lowercase and uppercase letters, numbers, and special characters if there is such possibility.
2. Depending on the available functionality in the order to restrict access to the used network devices at the administrator account level, it is recommended to configure the users accounts accordingly.
3. Do not use DMZ function (Demilitarized zone) in your router. Using that function you open the access to recorder system from the Internet on all ports, which gives possibility for an unauthorized interference with the system.

Instead of DMZ use port forwarding redirect only the ports which are necessary for the performance of the connection (detailed information about ports of communication in different models of recorders, cameras, etc. can be found in the operating instructions).

4. Use routers with firewall function and make sure it is enabled and properly configured.
5. It is recommended to change the default network communication port numbers of used devices if there is such possibility.
6. If used network devices has a UPnP feature and it is not used, turn it off.
7. If used network devices has a P2P feature and it is not used, turn it off.
8. If used network devices support HTTPS protocol for connection, it is recommended to use it.
9. If used network devices support IP filtering for authorized connections function, it is recommended to use it.
10. If used recorder has two network interfaces it is recommended to use both of them to physically separate network for cameras and network for Internet connection. The only device in the system, accessible from Internet will be recorder - there will be no physically access directly to any camera.

NETWORK CONNECTION VIA WEB BROWSER

5. NETWORK CONNECTION VIA WEB BROWSER

5.1. Recommended PC specification for web browser connections

Requirements below apply to connection with an IP camera, assuming image display in 1920 x 1080 resolution and 25 fps speed.

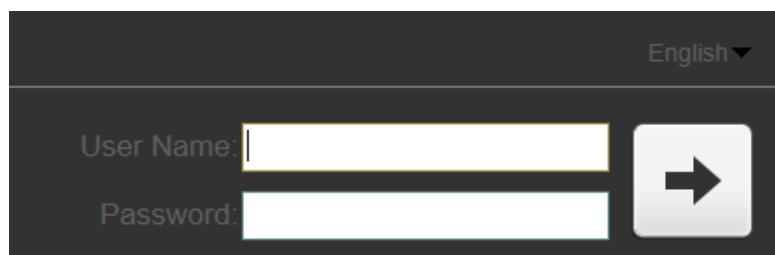
1. Procesor **Intel Core i5 3 GHz** lub wyższy
2. Pamięć **RAM min. 4 GB**
3. Karta grafiki **NVidia GeForce z 512 MB**
4. System operacyjny **Windows 7 / 8 / 8.1 / 10**
5. Karta sieciowa **100/1000 Mb/s**

5.2. Connection with IP camera via web browser

Caution:

To maintain correct operation as snapshot or video recording you must enable the browser as an administrator, also to maintain correct operation as playback from the microSD card you must add IP camera address to Compatibility View in browser settings.

You have to enter camera IP address in the web browser address bar. If IP address is correct user login window will be displayed:



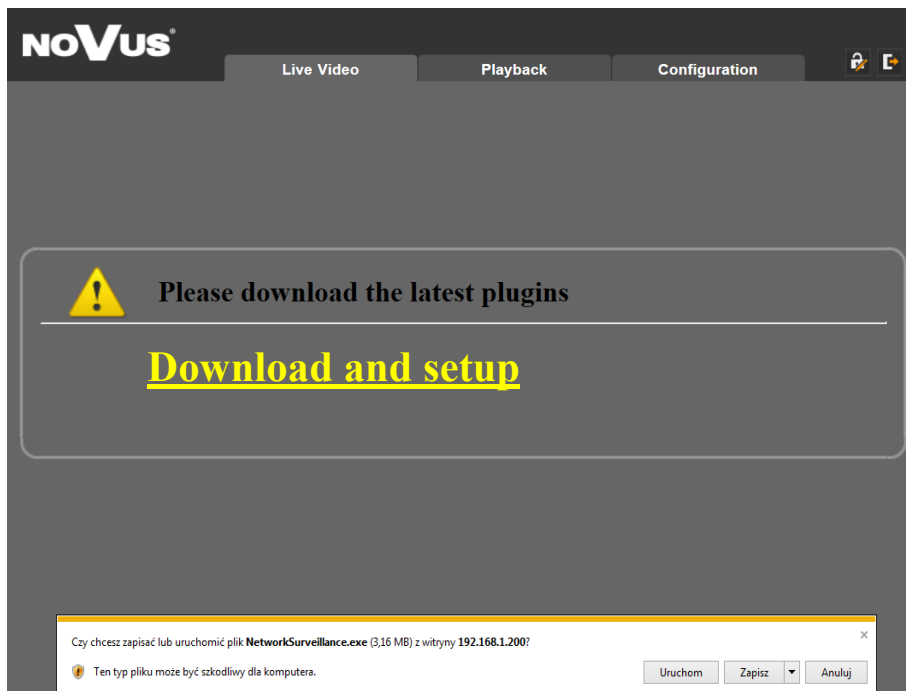
Default user is **root** and default password is **pass**.

In the *Language* box you can change the display language. The default language is English.

For safety reasons, it is recommended to change default user name and password.

NETWORK CONNECTION VIA WEB BROWSER

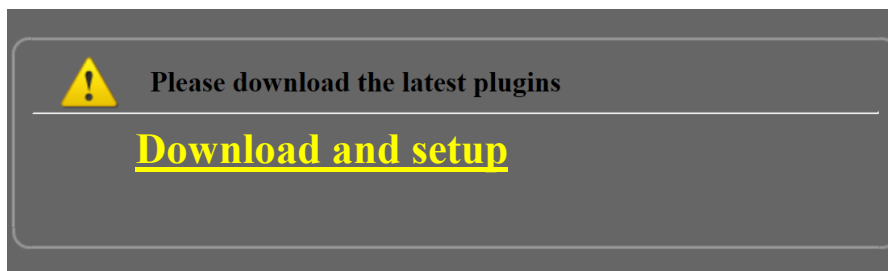
If you're first time running the camera, you will see screen as below.



eng

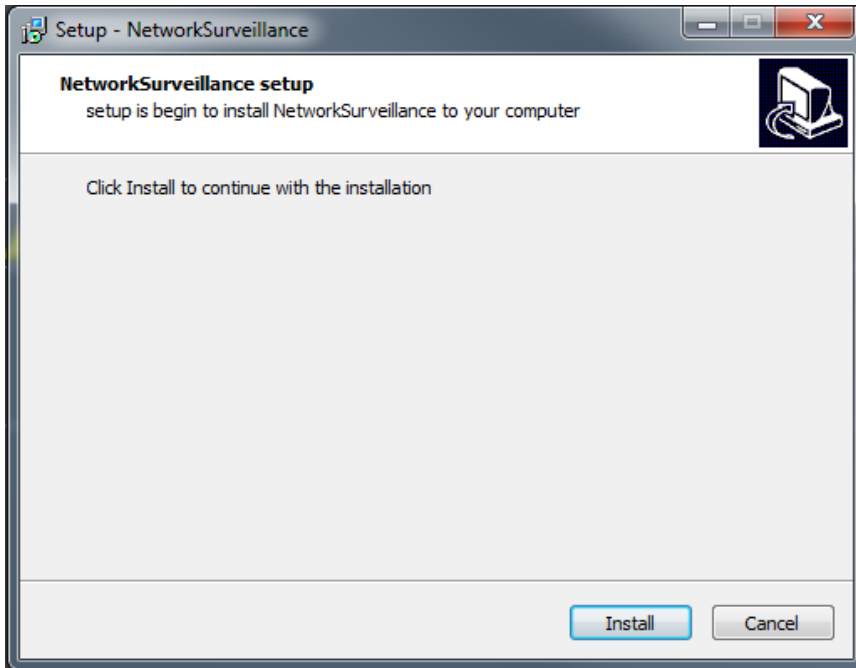
To correctly camera working, you need a plugin, you have to download and install it as below.

- Click *Download and setup* and follow the prompts.

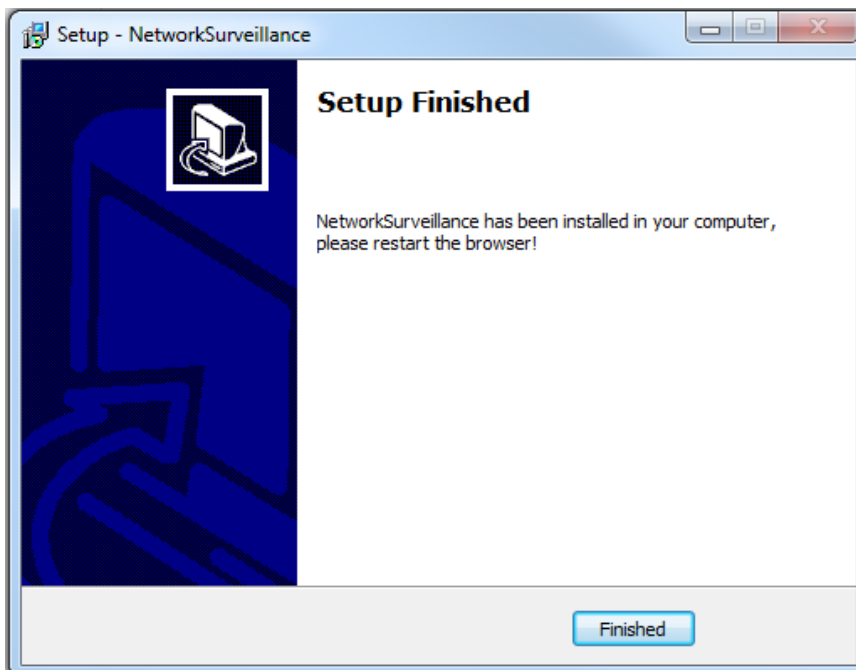


NETWORK CONNECTION VIA WEB BROWSER

- Click *Install* button



- After installation, click *Finished* button



Caution: In Windows Vista/7/8/10 the ActiveX applet may be blocked by Windows Defender or User account control. In such case you should allow to run this applet, or simply disable these functions.

Caution: If the installation fails, changing security settings for the IE browser is required. In order to do that, please choose: *Tools > Internet options > Security tab > Custom level* and:

- Under *Download unsigned ActiveX controls* - select either Enable or Prompt
- Under *Initialize and script ActiveX controls not marked as safe* - select Enable or Prompt

WWW INTERFACE - WORKING WITH IP CAMERA

6. WWW INTERFACE - WORKING WITH IP CAMERA

6.1. Displaying live video

The screenshot shows the NOvUS web interface. At the top, there are three tabs: 'Live Video', 'Playback', and 'Configuration'. On the right side, there are two buttons: a lock icon and a sign-out icon. The main area is divided into two sections. The left section shows a live video feed of a red car with license plate WN-7395G. Below the video, there is a stream information bar showing 'Stream stream1' and '186 Kbps'. The right section shows a 'Recent Snapshot' window with the following data:

Time	License Plate Number	Direction	Action	List	Country
2018-07-03 21:32:33	WN7395G	Forward	SMTP	Not in List	POL
2018-07-03 21:32:28	AK9265AK	Undefined	SMTP	Not in List	UKR
2018-07-03 21:32:23	WN7395G	Reverse	SMTP	Not in List	POL
2018-07-03 21:32:08	AK9265AK	Unknown	SMTP	Not in List	UKR
2018-07-03 21:31:41	WN7395G	Forward	SMTP	Not in List	POL
2018-07-03 21:31:39	C227HA69	Forward	Relay On	White List	RUS
2018-07-03 21:31:32	001NUM01	Unknown	SMTP	Black List	KAZ
2018-07-03 21:31:24	0952BC1	Forward	Relay On	White List	BLR

At the bottom of the interface, there is a table with the following columns: Time, License Plate Number, License Plate Image, Direction, Action, List, and Country. The table contains the same data as the 'Recent Snapshot' window.

1. Camera menu:

- *Live Video* - opens the camera live video
- *Playback* - opens the camera playback - to maintain correct operation you must add IP camera address to Compatibility View in browser settings (look at 6.2 chapter)
- *Configuration* - opens the camera configuration menu

2. *Change Password* and *Sign out* buttons - are used to change the password and log off the current user.

3. Last recognition window - show the information about last recognition license plate , as photo of the license plate , time, license plate number, direction, action, list and country of the license plate.








4. Live video preview

5. Stream information

WWW INTERFACE - WORKING WITH IP CAMERA

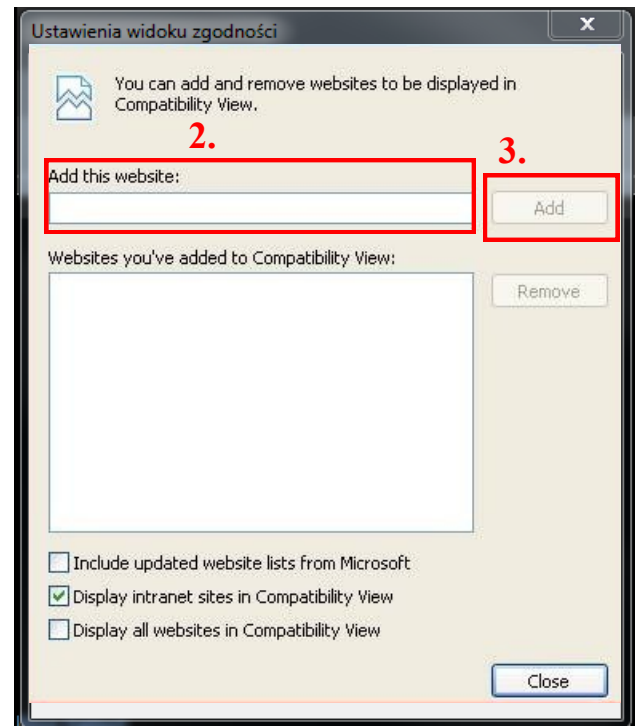
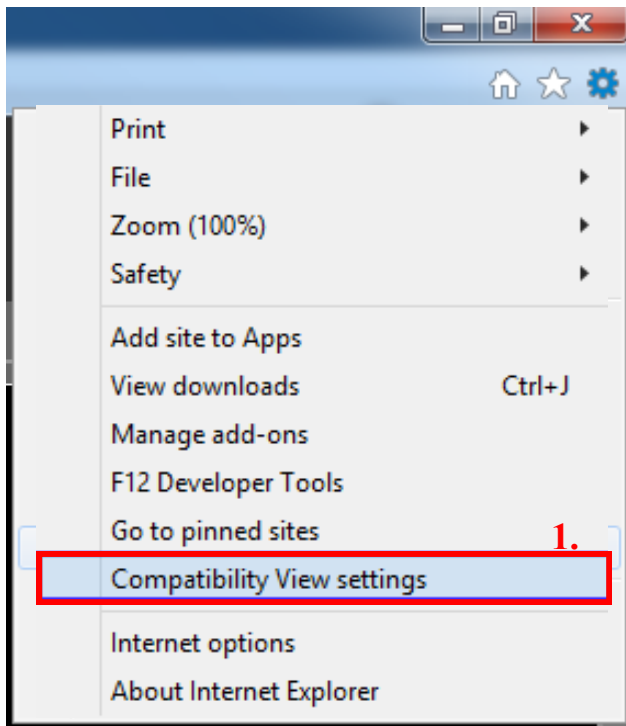
6. Live video menu

Strumienie stream1 Selection of screen preview..

-   Video button - turn on/off camera preview output.
-  - Live / Smooth Button- turn-on/off smooth preview option.
-  - Audio button- turn-on/off audio output.
-  - Interphone button- turn-on/off audio input and output.
-  - Sensor button- turn-on sensor configuration menu.
-  - Snapshot button- make a preview snapshot.

6.2 Adding a site to the Compatibility View list

1. Open Internet Explorer, select the *Tools* button and then select *Compatibility View settings* (1).
2. Under *Add this website*, enter the URL of the site you want to add to the list (2), and then select *Add* (3).



Information

A description of all functions of the camera is included in the full user manual, posted on the product page on www.novuscctv.com/en

WWW INTERFACE - WORKING WITH IP CAMERA

6.3. LPR settings configuration

To configure LPR settings go to *Configuration => License Plate Recognition*

6.3.1. List Configure

The screenshot shows the 'List Configure' interface. It features a search box (1), export/import buttons (2), and add/delete buttons (3) at the top. Below is a table with columns for License Plate Number, ListType, Begin Time, and End Time. The table contains four rows of license plate data. Below the table are 'Select All' (6) and navigation buttons (5). At the bottom, there is an 'Advanced' section (7) with settings for ListType, FTP Upload, Relay On, and SMTP, along with an 'Apply' button. A 'Refresh' button is located at the very bottom right.

1. Search box - write the numbers/letters to search license plates from the list.
2. Export/Import white and black list button.
3. Add/Delete license plates to list button.
4. Window displaying saved license plates.
5. Navigate buttons.
6. Select All button
7. *Advanced* window - use it to set the reaction for plates which are on white/black or not in the list. To add the plate to white/black list press the adding button **+** in the table will occur new row as shown below to write all necessary data's.

License Plate Number	ListType	Begin Time	End Time	
<input type="checkbox"/> Input car license	Black List	2018-07-23 14:42:41	2018-07-24 14:42:41	✓ ✗

WWW INTERFACE - WORKING WITH IP CAMERA

In first step write number of licence plate and select the type of the list. In the next step select the date for *Begin* and *End Time* (it define activity time of the licence plate in the camera data base).

WARNING!

The *End Time* by default is set one day after currently set time in the camera. Not changing the *End Time* may result in problems related to the automatic removal of tables from the list.

After configuration press ✓ to save the changes.

Press the *Advance* button to configure the reactions for list types.

WARNING!

For *White list* there is turned on *Relay ON* reaction by default.

6.3.2. Parameter Configure

Using slider set the *Minimum Width of Licence Plate (pixel)* on the image, than write the vehicle's approach angle, based on the diagram located on the right side of the camera image and draw a zone where the plates can be detect. The more accurate zone, greater the probability of correctly detecting of the plate number.



6.3.3. Linkage Configure

In this menu configure the reactions for licence plate detection. Define the operating mode of Relay Output (NO or NC) in *Valid Signal* position and the *Time Of Duration(sec.)* the alarm after licence plate detection. In the next positions turn on/off the *FTP Upload ScreenShots* and *Video Displaying License Plate* of detected plates. This option is using to show the number of License Plate on OSD, write the *Time of Duration* for displaying this OSD.

WWW INTERFACE - WORKING WITH IP CAMERA

6.3.4. LPR Search

In the LPR Search menu, you can search and then export a table of detected license plates from a given period of time, country, given number plate, in a specific direction and from a list of a given type.

Information: The camera is integrated with the NMS software (NOVUS MANAGEMENT SYSTEM), among others in the field of image recording, handling of alarm events and searching for recognized license plate numbers. In order to obtain detailed information in this respect, please read the full version of the camera manual and the user manual for NMS software available for download at www.novuscctv.com.

6.4. Sensor parameters configuration

The NVIP-2DN5021H/IRH-1P/LPR camera sensor menu was developed specially for the LPR camera, keeping in mind the readability of license plates in various lighting conditions.

6.4.1. Schemes and schedules

Sensor config is very important for quality of the license plates number detection and it's radically different in day and night mode. In Novus LPR camera the sensor menu is working in specially LPR mode - when the schedule is turned off, the *Scheme 1* is used for day mode and the *Scheme 2* is used for night mode. Switching on the schedule result in switching the sensor menu in normal mode with *Schemes* switching by schedules.

6.4.2. Sensor menu configuration for LPR camera.

The most important sensor parameters affecting on license plates detection are *Exposure*, *Shutter*, *Gain* and *Meter Area*. The default settings of the LPR camera have been adapted by our specialists for the most possible camera assembly scenarios, however, for some objects will need to modify some of sensor settings due to their specificity. The most important aspects are presented below.

By default for day mode (*Scheme 1*) the *Exposure* is selected to *Auto* mode and the *Meter Area* is selected for *Whole*. These settings allow the camera to adapt to the changing scene. For night mode (*Scheme 2*) the *Exposure* is also selected to *Auto* mode, but the *Meter Area* is selected for *Centre Area*. This settings allow the camera to be focused on the place where the licence place will be instead of the whole area around.

The *Shutter* in LPR camera is a critical element, by default it's set for day mode (*Scheme 1*) to 1/25. For night mode (*Scheme 2*) it's set to 1/1000, so that the light reflecting from the license plate does not blind the camera but has a positive effect on its readability. Increasing the shutter frequency will reduce the amount of light, so the image in the night will mostly see the license plate reflecting the light and the headlights of the car will not blinding the camera.

To obtain the brightness of the whole image, the *Gain* setting should be modified. This setting will change amount of noise in the image, but it will brighten or darken the whole picture. This setting may be useful in very low ambient light conditions of the observed scene.

WARNING!

After changing the *Sensor settings*, save (or not) the settings and then enter the *Standard mode*. Otherwise, the automatic change mode between profiles when the camera is switching to day and night mode will fail.

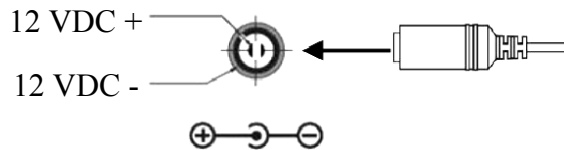
ELECTRIC CONNECTORS AND ACCESORIES

7. ELECTRIC CONNECTORS AND ACCESORIES

7.1. Connecting power supply to the camera

The camera can be supplied only by power supply with parameters compatible with camera specification to power camera via power in jack.

SCHEMA OF 12VDC POWER SUPPLY CONNECTOR



Caution : Make sure to follow the correct polarity if connecting the camera to DC power. Polarity is marked on the power connector.

Caution: In order to provide protection against voltage surges/lightning strikes, usage of appropriate surge protectors is advised. Any damages resulting from surges are not eligible for service repairs.

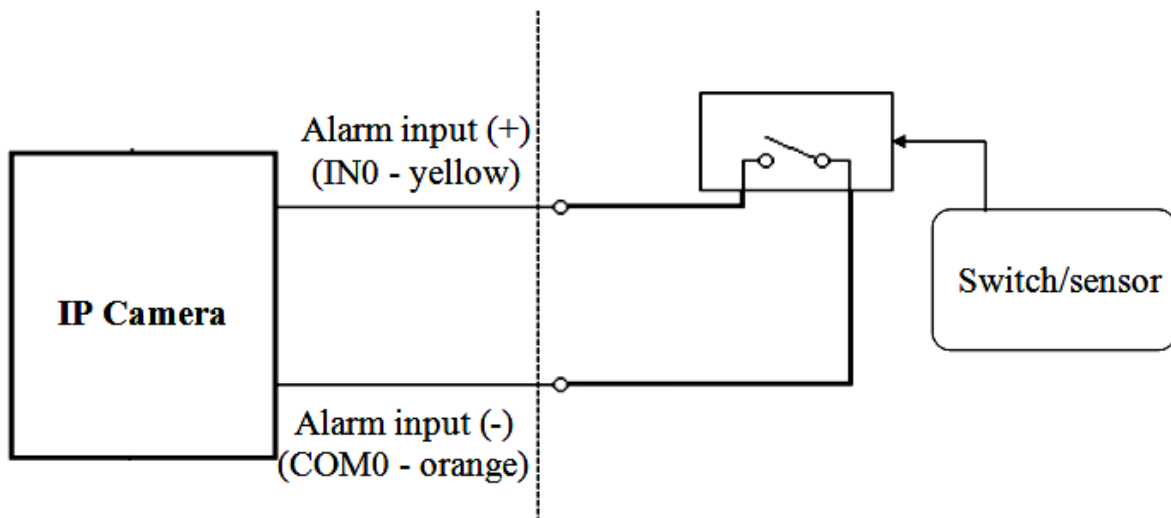
Caution: It is forbidden to use – as the camera power source – PoE equipment (adapters, etc.) not compatible with IEEE 802.3af standard (items called “passive PoE power supply”). Damages that results from the usage of improper power supply source are not covered by the warranty.

7.2. Connecting alarm inputs/outputs.

Description of connectors is in chapter 2.4.

Alarm Input

- Typical Alarm Input connection



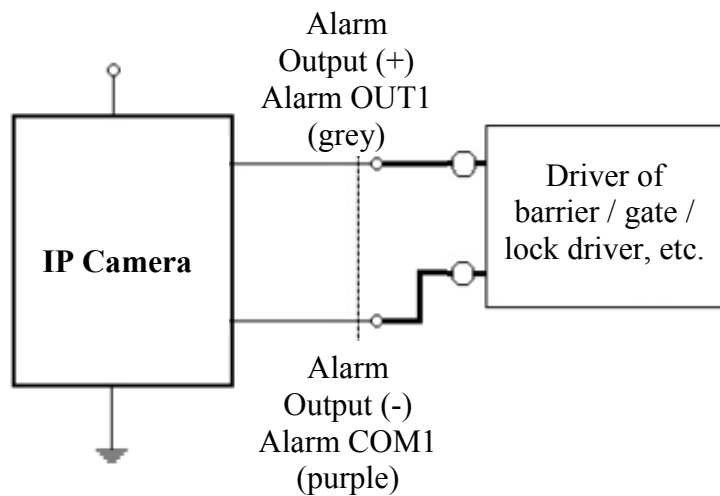
ELECTRIC CONNECTORS AND ACCESORIES

Alarm Output

Camera alarm output is an relay output type.

Alarm output relay maximum load: 12 VDC / 500mA.

- Typical Alarm Output connection.



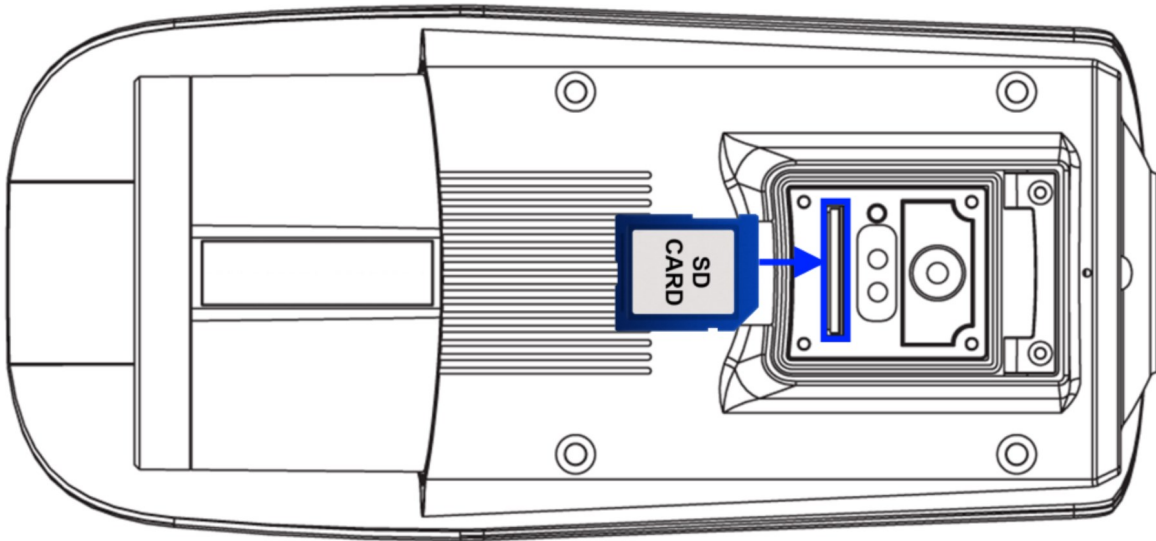
WARNING: Make sure that the device connected to the alarm output of the camera will not overload it (the maximum overload of the alarm output is 12VDC / 500mA.) If it is necessary to connect devices that can load the alarm output, an additional relay (in which you have to stock up on your own) must be used.

ELECTRIC CONNECTORS AND ACCESORIES

7.3. SD card installation

Camera supports micro SD, cards with their capacity up to 64GB. In order to install the card properly, please follow the instructions below:

- Turn the camera off.
- Unscrew the service compartment screw and open the service compartment.
- Mount SD card in the socket located at the camera's rear, according to the picture:



- Close the service compartment and firmly screw the service compartment screw.
- Turn the camera on
- Format the card using IP camera menu:
Go to *Device Record* => *Record Directory* menu. Press *Modify* button, turn on *SD Card*, and then press *Format* button and confirm it. After formatting press *OK* button.
- Check *Total* and *Usable Space* of SD Card in *Device Record* => *Record Directory* menu.

RESTORING FACTORY DEFAULTS

8. RESTORING FACTORY DEFAULTS

NOVUS IP cameras allow to restore defaults via:

- software (web browser level) resetting the camera settings
- hardware (using reset) restores factory defaults.

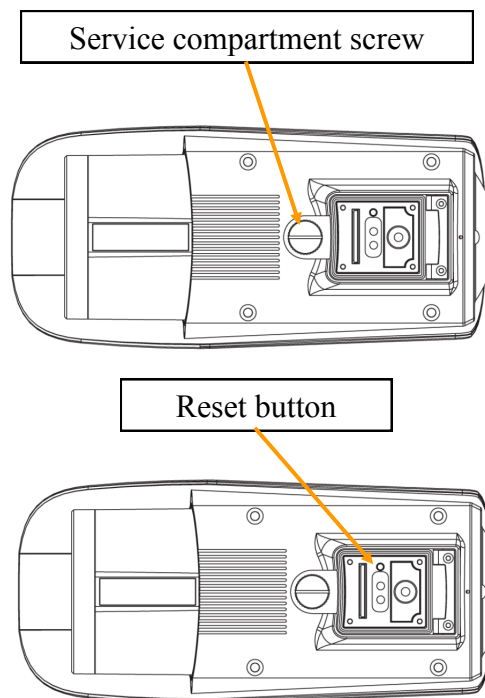
8.1. Restoring software factory defaults

Factory software default restores default settings of the IP camera except network settings. The camera re-starts then, taking about one minute to complete. Option to restore the factory default is described in *Maintenance* tab.

8.2. Restoring hardware factory defaults in IP cameras

In order to restore factory defaults for the camera please follow the instructions:

- unscrew the service compartment screw and open the service compartment,
- press the *RESET* button and hold on for 5 seconds,
- release button,
- log on after approx. 1 minute using default IP address (<http://192.168.1.200>) and default user name (root) and password (pass),
- close the service compartment and firmly screw the service compartment screw.



NOVUS[®]

AAT Holding S.A.

431 Pulawska St., 02-801 Warsaw, Poland
tel.: +4822 546 07 00, fax: +4822 546 07 19
www.novuscctv.com

2018-07-31 MO MM

instrukcja obsługi
(skrótowa)



NVIP-2DN5021H/IRH-1P/LPR

noVus[®]

UWAGI I OSTRZEŻENIA

Dyrektywy EMC (2014/30/EU) i LVD (2014/35/EU)

Oznakowanie CE



Nasze produkty spełniają wymagania zawarte w dyrektywach oraz przepisach krajowych wprowadzających dyrektywy:

Kompatybilność elektromagnetyczna EMC 2014/30/EU.

Niskonapięciowa LVD 2014/35/EU. Dyrektywa ma zastosowanie do sprzętu elektrycznego przeznaczonego do użytkowania przy napięciu nominalnym od 50VAC do 1000VAC oraz od 75VDC do 1500VDC.

Dyrektywa WEEE 2012/19/UE

Informacja dla użytkowników o pozbywaniu się urządzeń elektrycznych i elektronicznych



Niniejszy produkt został oznakowany zgodnie z Dyrektywą WEEE (2012/19/EU) oraz późniejszymi zmianami, dotyczącą zużytego sprzętu elektrycznego i elektronicznego. Zapewniając prawidłowe złomowanie przyczyniają się Państwo do ograniczenia ryzyka wystąpienia negatywnego wpływu produktu na środowisko i zdrowie ludzi, które mogłoby zaistnieć w przypadku niewłaściwej utylizacji urządzenia.

Symbol umieszczony na produkcie lub dołączonych do niego dokumentach oznacza, że nasz produkt nie jest klasyfikowany jako odpad z gospodarstwa domowego. Urządzenie należy oddać do odpowiedniego punktu utylizacji odpadów w celu recyklingu. Aby uzyskać dodatkowe informacje dotyczące recyklingu niniejszego produktu należy skontaktować się z przedstawicielem władz lokalnych, dostawcą usług utylizacji odpadów lub sklepem, gdzie nabyto produkt.

Dyrektywa RoHS 2011/65/UE

Informacja dla użytkowników dotycząca ograniczenia użycia substancji niebezpiecznych w sprzęcie elektrycznym elektronicznym.



W trosce o ochronę zdrowia ludzi oraz przyjazne środowisko zapewniamy, że nasze produkty podlegające przepisom dyrektywy RoHS, dotyczącej użycia substancji niebezpiecznych w sprzęcie elektrycznym i elektronicznym, zostały zaprojektowane i wyprodukowane zgodnie z wymaganiami tej dyrektywy. Jednocześnie zapewniamy, że nasze produkty zostały przetestowane i nie zawierają substancji niebezpiecznych w ilościach mogących niekorzystnie wpływać na zdrowie człowieka lub środowisko naturalne.

Informacja

Urządzenie, jako element profesjonalnego systemu telewizji dozorowej służącego do nadzoru i kontroli, nie jest przeznaczone do samodzielnego montażu w gospodarstwach domowych przez osoby nie posiadające specjalistycznej wiedzy.

Wyłączenie odpowiedzialności w przypadku uszkodzenia danych zawartych na dysku lub innych urządzeniach:

Producent nie ponosi odpowiedzialności w razie uszkodzenia lub utraty w trakcie eksploatacji Produktu danych zawartych na dyskach lub innych urządzeniach.

Obowiązek konsultowania się z Producentem przed wykonaniem czynności nieprzewidzianej instrukcją obsługi albo innymi dokumentami:

Przed wykonaniem czynności, która nie jest przewidziana dla danego Produktu w instrukcji obsługi, innych dokumentach dołączonych do Produktu lub nie wynika ze zwykłego przeznaczenia Produktu, należy, pod rygorem wyłączenia odpowiedzialności Producenta za następstwa takiej czynności, skontaktować się z Producentem.

WARUNKI BEZPIECZEŃSTWA

UWAGA!

ZNAJOMOŚĆ NINIEJSZEJ INSTRUKCJI JEST NIEZBĘDNYM WARUNKIEM PRAWIDŁOWEJ EKSPLOATACJI URZĄDZENIA. PROSIMY O ZAPOZNANIE SIĘ Z NIM PRZED PRZYSTĄPIENIEM DO INSTALACJI I OBSŁUGI URZĄDZENIA.

UWAGA!

NIE WOLNO DOKONYWAĆ ŻADNYCH SAMODZIELNYCH NAPRAW. WSZYSTKIE NAPRAWY MOGĄ BYĆ REALIZOWANE JEDYNIEM PRZEZ WYKWALIFIKOWANYCH PRACOWNIKÓW SERWISU.

1. Przed zainstalowaniem i rozpoczęciem eksploatacji należy dokładnie zapoznać się z niniejszą instrukcją obsługi i zawartymi w niej wymogami bezpieczeństwa;
2. Uprasza się o zachowanie instrukcji na czas eksploatacji kamery na wypadek konieczności odniesienia się do zawartych w niej treści;
3. Należy skrupulatnie przestrzegać wymogów bezpieczeństwa opisanych w instrukcji, gdyż mają one bezpośredni wpływ na bezpieczeństwo użytkowników i trwałość oraz niezawodność urządzenia;
4. Wszystkie czynności wykonywane przez instalatorów i użytkowników muszą być realizowane zgodnie z opisem zawartym w instrukcji;
5. W czasie czynności konserwatorskich urządzenie musi być odłączone od zasilania;
6. Nie wolno stosować żadnych dodatkowych urządzeń lub podzespołów nie przewidzianych i nie zalecanych przez producenta;
7. Nie należy instalować tego urządzenia w miejscu, gdzie nie można zapewnić właściwej wentylacji (np. zamknięte szafki, itp.), co powoduje zatrzymanie się ciepła i w konsekwencji może doprowadzić do uszkodzenia;
8. Nie wolno umieszczać kamery na niestabilnych powierzchniach. Kamera musi być instalowany przez wykwalifikowany personel o odpowiednich uprawnieniach według zaleceń podanych w niniejszej instrukcji;
9. Urządzenie może być zasilane jedynie ze źródeł o parametrach zgodnych ze wskazanymi przez producenta w danych technicznych serwera wideo. Dlatego też, zabrania się zasilania kamery ze źródeł o nieznanym, niestabilnym lub niezgodnym z wymaganiami określonymi przez producenta parametrach

UWAGA!

Ponieważ produkt jest stale ulepszany i optymalizowany niektóre parametry i funkcje opisane w załączonej instrukcji mogły ulec zmianie. Prosimy o zapoznanie się z najnowszą oraz pełną instrukcją obsługi znajdującą się na stronie www.novuscctv.pl.

Producent, firma AAT Holding S.A. zastrzega sobie możliwość wystąpienia błędów w druku oraz zmian parametrów technicznych bez uprzedniego powiadomienia.

SPIS TREŚCI

SPIS TREŚCI	4
1. INFORMACJE WSTĘPNE	5
1.1. Charakterystyka ogólna	5
1.2. Dane techniczne kamery NVIP-2DN5021H/IRH-1P/LPR	6
2. DANE TECHNICZNE	8
2.1. Wymiary kamery	8
2.2. Zawartość opakowania	8
2.3 Wygląd i rozmieszczenie ważnych elementów kamer	10
2.4 Opis złącz elektrycznych	10
3. MONTAŻ KAMERY	11
3.1 Wymagania dotyczące instalacji kamery LPR na obiekcie	11
3.2 Podłączenie kabla sieciowego	13
3.3 Regulacja kamery	13
4. URUCHAMIANIE I WSTĘPNA KONFIGURACJA KAMERY IP	15
4.1. Uruchomienie kamery IP	15
4.2. Konfiguracja parametrów przy użyciu przeglądarki internetowej	16
4.3. Zalecenia dotyczące bezpieczeństwa sieci	17
5. POŁĄCZENIA SIECIOWE ZA POMOCĄ PRZEGLĄDARKI WWW	18
5.1. Zalecana konfiguracja komputera PC do połączeń przez przeglądarkę WWW	18
5.2. Połączenie sieciowe z kamerą IP za pomocą przeglądarki WWW	18
6. INTERFEJS WWW - PRACA Z KAMERA	21
6.1. Wyświetlanie obrazu na żywo	21
6.2. Dodawanie adresu kamery do ustawień widoku zgodności przeglądarki Internet Explorer	22
6.3. Konfiguracja ustawień LPR	23
6.3.1. Czarna/Biała lista	23
6.3.2. Parametry	24
6.3.3. Powiązania	24
6.3.4. Wyszukiwanie	25
6.4. Konfiguracja podstawowych parametrów sensora	25
6.4.1. Profile i harmonogramy	25
6.4.2. Ustawienia sensora dla kamery LPR	25
7. POŁĄCZENIA ELEKTRYCZNE I ZŁĄCZA AKCESORIÓW	26
7.1. Podłączenie zasilania kamery	26
7.2. Opis podłączenia wejść i wyjść alarmowych	26
7.3. Instalacja karty SD	28
8. PRZYWRACANIE USTAWIEŃ FABRYCZNYCH KAMERY	29
8.1. Programowe resetowanie ustawień kamery IP	29
8.2. Przywracanie ustawień fabrycznych kamery IP (sprzętowe)	29

INFORMACJE WSTĘPNE

1. INFORMACJE WSTĘPNE

1.1. Charakterystyka ogólna

- Rozdzielczość przetwornika: 2.0 megapiksele
- Mechaniczny filtr podczerwieni
- Możliwość pracy w podczerwieni
- Czułość od 0.01 lx/F=1.2
- Wydłużony czas ekspozycji (DSS)
- Cyfrowa redukcja szumu (DNR)
- Funkcja Defog (F-DNR)
- Redukcja efektu oślepienia kamery (HLC)
- Kompensacja tylnego światła (BLC)
- Szeroki zakres dynamiki (WDR)
- Cyfrowa stabilizacja obrazu (DIS)
- Typ obiektywu: motor-zoom z automatyczną przysłoną, f=7 ~ 22 mm/F1.2
- Wbudowany oświetlacz podczerwieni, 17 diod LED
- 4 strefy prywatności
- Kompresja wideo: H.264, M-JPEG
- Maksymalna rozdzielczość przetwarzania wideo: 1920 x 1080 (Full HD)
- Praca w trybie dwustrumieniowym - możliwość definiowania kompresji, rozdzielczości, prędkości i jakości dla każdego strumienia
- Przesyłanie wideo i audio w standardzie RTSP
- Funkcje przed-alarmu i po-alarmu
- Wbudowany web serwer – możliwość podglądu i konfiguracji ustawień kamery przez stronę www
- Rozpoznawanie numerów tablic rejestracyjnych (LPR)
- Autonomiczny tryb pracy - funkcja rozpoznawania zaimplementowana w kamerze
- Obsługa szlabanu za pomocą wbudowanego wyjścia alarmowego (przełącznikowego)
- Rozpoznawanie tablic rejestracyjnych ze wszystkich państw Unii Europejskiej, krajów byłej WNP, Turcji, Izraela, Szwajcarii, Norwegii i innych
- Odczyt tablic dla pojazdów poruszających się z prędkością do 50 km/h
- Rejestrowane w bazie kamery dane dotyczące daty/czasu rozpoznania, numeru rozpoznanej tablicy rejestracyjnej, obrazu rozpoznanej tablicy rejestracyjnej, kierunku poruszania się pojazdu, reakcji systemu, obecności tablicy na białej lub czarnej liście, kraju pochodzenia tablicy rejestracyjnej
- Obsługa kart pamięci SD do 64GB
- Obsługa protokołów: ONVIF (Profile S), HTTP, TCP/IP, IPv4, UDP, HTTPS, Multicast, FTP, DHCP, DNS, DDNS, NTP, RTSP, PPPoE, SMTP
- Oprogramowanie: NMS (NOVUS MANAGEMENT SYSTEM) - do rejestracji wideo, podglądu „na żywo”, odtwarzania oraz zdalnej konfiguracji urządzeń wideo IP
- Wbudowana grzałka
- Klasa szczelności IP66
- Zasilanie 12VDC oraz PoE (Power over Ethernet)

INFORMACJE WSTĘPNE

1.2. Dane techniczne kamery NVIP-2DN5021H/IRH-1P/LPR

Obraz	
Przetwornik obrazu	2 MPX, matryca CMOS, 1/2.9", SONY Exmor
Liczba efektywnych pikseli	1984 (H) x 1105 (V)
Czułość	0.01 lx/F1.2 - tryb kolorowy, 0 lx (IR wł.) - tryb czarno-biały
Elektroniczna migawka	automatyczna/manualna: 1 s ~ 1/10000 s
Wydłużona migawka (DSS)	do 1 s
Szeroki zakres dynamiki (WDR)	tak
Cyfrowa stabilizacja obrazu (DIS)	tak
Cyfrowa redukcja szumu (DNR)	2D, 3D
Funkcja Defog (F-DNR)	tak
Redukcja efektu oślepienia kamery (HLC)	tak
Kompensacja tylnego światła (BLC)	tak
Obiektyw	
Typ obiektywu	motor-zoom z automatyczną przysłoną, f=7 ~ 22 mm/F1.2
Auto-focus	po zmianie krotności zoomu, wyzwalany ręcznie
Dzień/noc	
Rodzaj przełączania	mechaniczny filtr podczerwieni
Tryb przełączania	automatyczny, manualny, czasowy
Regulacja poziomu przełączania	tak
Opóźnienie przełączania	0 ~ 180 s
Harmonogram przełączania	tak
Czujnik światła widzialnego	tak
Sieć	
Rozdzielczość strumienia wideo	1920 x 1080 (Full HD), 1280 x 720 (HD), 704 x 576, 704 x 480, 640 x 480 (VGA), 640 x 360, 352 x 288 (CIF), 320 x 240 (QVGA)
Prędkość przetwarzania	30 kl/s dla 1920 x 1080 (Full HD) i niższych rozdzielczości
Tryb wielostrumieniowy	2 strumienie
Kompresja wideo/audio	H.264, MJPEG/G.711, RAW_PCM
Liczba jednoczesnych połączeń	maks. 8
Przepustowość	łącznie 25 Mb/s
Obsługiwane protokoły sieciowe	HTTP, TCP/IP, IPv4, UDP, HTTPS, Multicast, FTP, DHCP, DNS, DDNS, NTP, RTSP, PPPoE, SMTP
Wsparcie protokołu ONVIF	Profile S
Konfiguracja kamery	z poziomu przeglądarki Internet Explorer języki: polski, angielski, rosyjski, i inne
Kompatybilne oprogramowanie	NMS
Pozostałe funkcje	
Strefy prywatności	4
Detekcja ruchu	tak
Obszar obserwacji (ROI)	5
Obróbka obrazu	obrót obrazu o 180°, wyostżanie, odbicie lustrzane, tryb korytarzowy
Prealarm/postalarm	do 5 MB/do 86400 s
Reakcja na zdarzenia alarmowe	e-mail z załącznikiem, zapis na FTP, zapis na kartę SD

INFORMACJE WSTĘPNE

Rozpoznawanie numerów tablic rejestracyjnych (LPR)	
Autonomiczny tryb pracy	tak - funkcja rozpoznawania zaimplementowana w kamerze
Rodzaj rozpoznawanych tablic	wszystkie państwa Unii Europejskiej / kraje byłej WNP / Turcja / Izrael / Szwajcaria / Norwegia i inne
Obsługa szlabanu	tak - wbudowane wyjście alarmowe (przełącznikowe)
Zalecana maksymalna prędkość pojazdu	do 50 km/h
Dane rejestrowane w bazie kamery	data/czas rozpoznania, numer rozpoznanej tablicy rejestracyjnej, obraz rozpoznanej tablicy rejestracyjnej, kierunek poruszania pojazdu, reakcja systemu, obecność na "białej liście" lub "czarnej liście", kraj pochodzenia tablicy rejestracyjnej
Reakcje na rozpoznanie tablicy	e-mail z załącznikiem, zapis na FTP, aktywacja wyjścia alarmowego
Oświetlacz IR	
Liczba LED	17
Zasięg	70 m
Kąt świecenia	50°
Interfejsy	
Wyjście wideo	BNC, 1.0 Vp-p, 75 Ohm - do celów serwisowych
Wejścia/wyjścia audio	1 x RCA/1 x RCA
Wejścia/wyjścia alarmowe	1 (NO/NC)/1 typu przełącznik
Interfejs sieciowy	1 x Ethernet - złącze RJ-45, 10/100 Mbit/s
Gniazdo kart pamięci	SD - pojemność do 64GB
Parametry instalacyjne	
Wymiary (mm)	z uchwytem: 110 (Φ) x 377 (dł.)
Masa	1.7 kg
Klasa szczelności	IP 66 (szczegóły w instrukcji obsługi)
Obudowa	aluminiowa, w kolorze białym, uchwyt ścienny z przepustem kablowym w zestawie
Zasilanie	PoE, 12 VDC
Pobór mocy	6 W, 15 W (IR i grzałka wł.)
Temperatura pracy	-30°C ~ 60°C
Wbudowana grzałka/wentylator	tak/nie

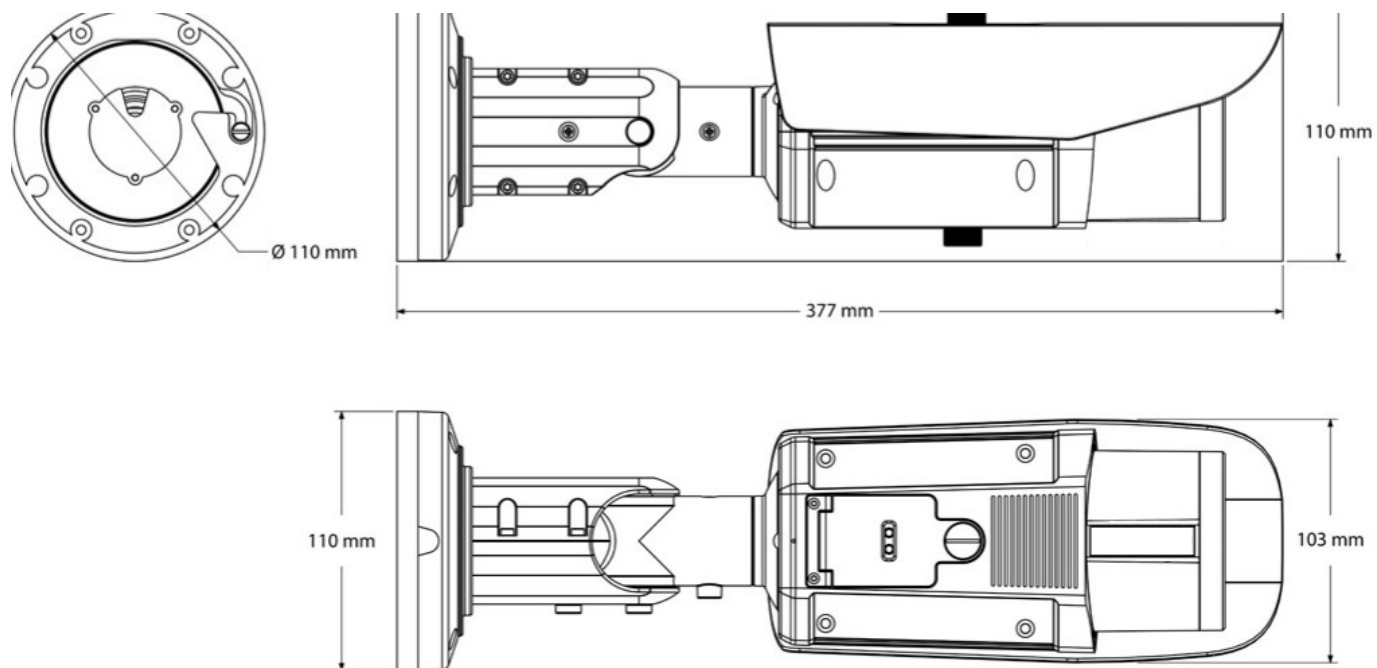
pl

DANE TECHNICZNE

2. DANE TECHNICZNE



2.1. Wymiary kamery

Wymiary podano w mm.



2.2. Zawartość opakowania

Po otwarciu należy upewnić się czy w opakowaniu znajdują się następujące elementy:

- Kamera IP
- Podstawka mocująca 
- Torebka z akcesoriami montażowymi
- Kabel testowy RCA-to-BNC 
- Szablon montażowy
- Skrócona instrukcja obsługi urządzenia

Jeżeli którykolwiek z elementów został uszkodzony w transporcie, należy spakować zawartość z powrotem do oryginalnego opakowania i skontaktować się z dostawcą.

DANE TECHNICZNE

UWAGA:

Jeżeli urządzenie przyniesione zostało z pomieszczenia o niższej temperaturze należy odczekać aż osiągnie temperaturę pomieszczenia, w którym ma pracować. Nie wolno włączać urządzenia bezpośrednio po przyniesieniu z chłodniejszego miejsca. Kondensacja zawartej w powietrzu pary wodnej może spowodować zwarcia i w konsekwencji uszkodzenie urządzenia.

Przed uruchomieniem urządzenia należy zapoznać się z opisem i rolą poszczególnych wejść, wyjść oraz elementów regulacyjnych, w które wyposażone są kamery.

UWAGA:

W celu ochrony kamery przed uszkodzeniem zalecane jest zastosowanie zabezpieczeń przepięciowych. Awarie powstałe w wyniku przepięć nie podlegają naprawie gwarancyjnej.

UWAGA:

Zabronione jest stosowanie jako źródło zasilania kamery urządzeń (zasilacze, adaptory itp.) PoE niezgodnych ze standardem IEEE 802.3af, potocznie nazywanych „pasywne zasilacze PoE”. Uszkodzenia wynikłe ze stosowania nieodpowiednich źródeł zasilania nie podlegają gwarancji.

UWAGA:

Złącza/gniazda kamery nie są hermetyczne. Użytkownik powinien zapewnić ich szczelność we własnym zakresie.

UWAGA:

Należy zwrócić szczególną uwagę, aby powierzchnia do której mocowana jest kamera miała odpowiednią nośność.

UWAGA:

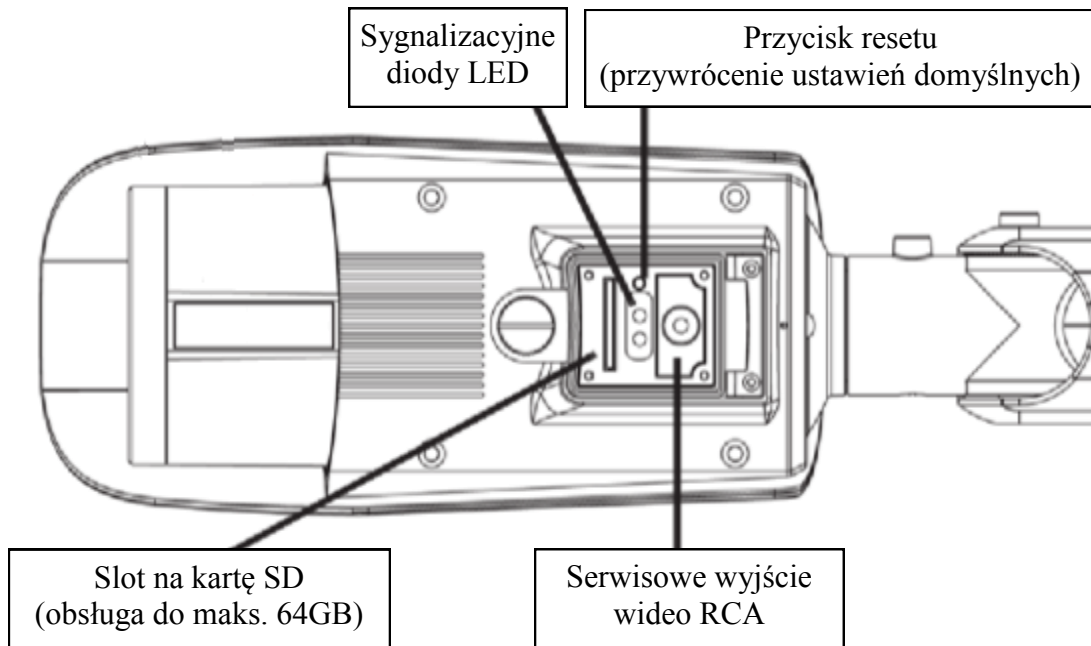
W celu zapewnienia deklarowanej szczelności należy zabezpieczyć otwory montażowe i przepust kablowy. W przypadku instalacji na nierównych/chropowatych powierzchniach, okolice otworów montażowych kamery należy dodatkowo zabezpieczyć masą uszczelniającą.

UWAGA:

Deklarowana klasa szczelności kamery dotyczy jej obudowy i nie uwzględnia możliwości wnikania wilgoci do wnętrza kamery poprzez przewody przyłączeniowe. Zabezpieczenie przewodów poprzez np. uszczelnienie ich odpowiednią masą jest obowiązkiem osoby instalującej kamerę. Producent nie ponosi odpowiedzialności za wszelkie szkody, uszkodzenia kamery powstałe w skutek niedopełnienia w/w obowiązku co jednocześnie oznacza, iż nie podlegają one naprawom gwarancyjnym interpoluje.

DANE TECHNICZNE

2.3. Wygląd i rozmieszczenie ważnych elementów kamer



2.4. Opis złączy elektrycznych:

1. Port Ethernet 100 Mb/s (gniazdo RJ-45)

2. Złącze zasilania kamery 12VDC

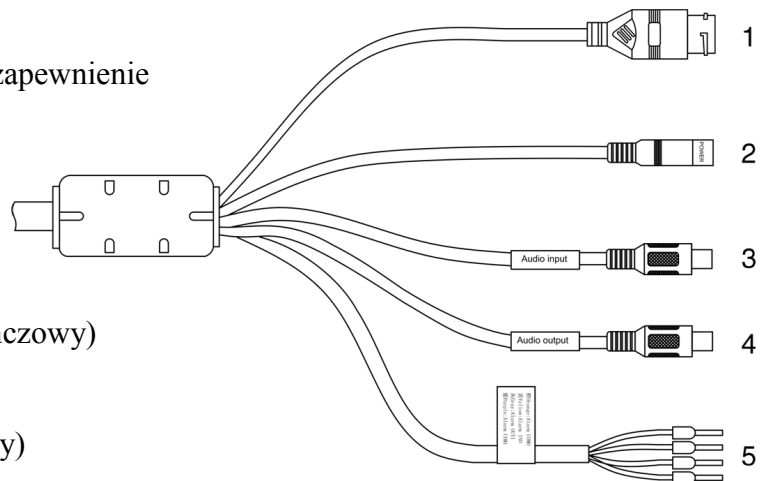
UWAGA! Należy zwrócić uwagę na zapewnienie odpowiedniej polaryzacji zasilania!

3. Wejście audio RCA (Audio Input)

4. Wyjście audio RCA (Audio Output)

5. Wejścia/wyjścia alarmowe

- wejście alarmowe (COM0 - pomarańczowy)
- wejście alarmowe (IN0 - żółty)
- wyjście alarmowe (COM1 - fioletowy)
- wyjście alarmowe (OUT1 - szary)



SCHEMAT PODŁĄCZENIA ZASILANIA 12VDC



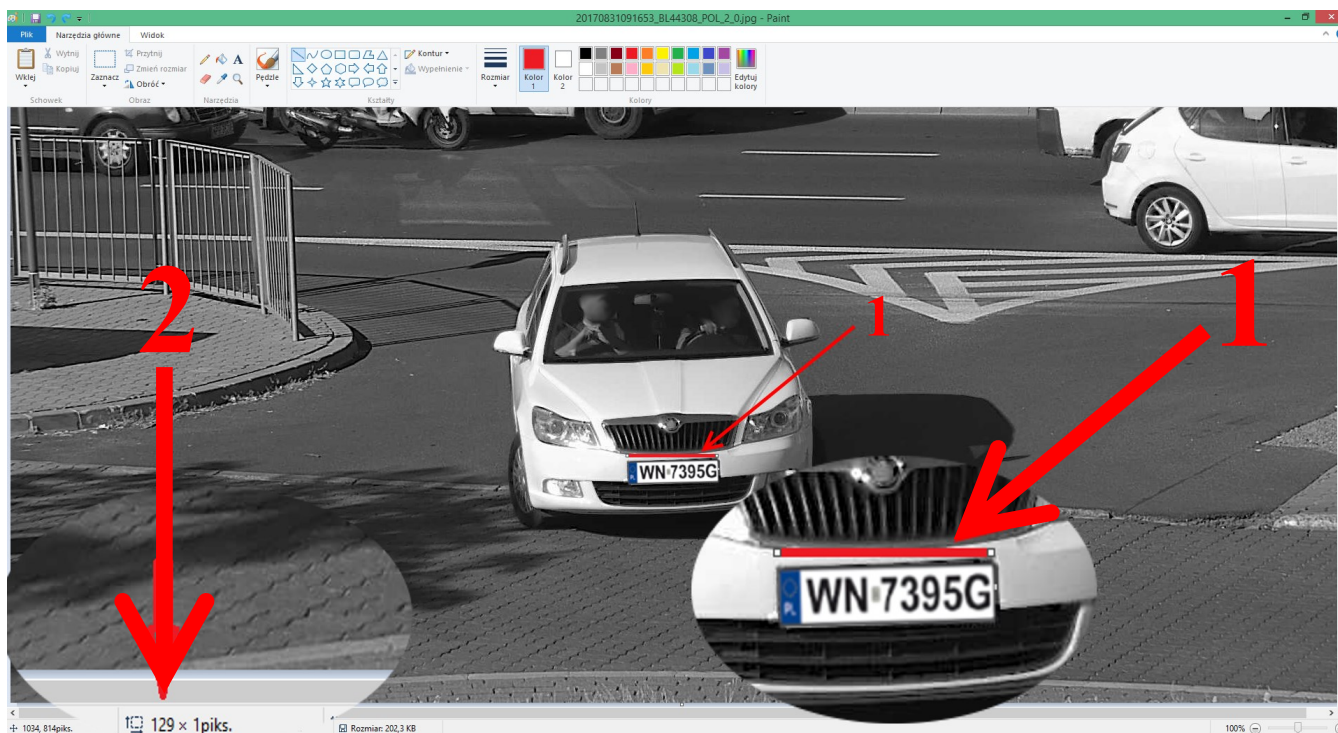
3. MONTAŻ KAMERY

3.1. Wymagania dotyczące instalacji kamery LPR na obiekcie

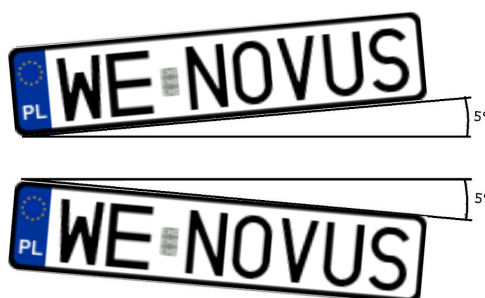
Wymagania dotyczące kamery oraz obrazu poddawanego analizie są następujące:

1. Tablica rejestracyjna powinna być dobrze oświetlona oraz niezastłonięta
2. Szerokość tablicy rejestracyjnej w obrazie nie powinna być mniejsza niż :
 - 150 pikseli dla prostokątnych tablic jednorzędowych oraz 100 pikseli dla dwurzędowych (dotyczy to tablic rejestracyjnych z Rosji, Kazachstanu, Armenii, Uzbekistanu oraz Serbii)
 - 130 pikseli dla prostokątnych tablic jednorzędowych (optymalna szerokość wynosi od 150 do 200 pikseli) oraz 70 pikseli dla dwurzędowych (dla pozostałych typów tablic rejestracyjnych)

Informacja: Jednym ze sposobów weryfikacji szerokości tablicy rejestracyjnej w obrazie jest wykonanie zrzutu obrazu z kamery, a następnie pomiar szerokości tablicy w dowolnym programie graficznym jak np. Paint.



3. Kąt obrotu w osi tablicy nie powinien przekraczać 5 stopni jak pokazano na poniższym rysunku:



MONTAŻ KAMERY

4. Rekomendowane ustawienia kamery do zastosowań rozpoznawania tablic rejestracyjnych to ustawienia domyślne kamery NVIP-2DN5021H/IRH-1P/LPR, jednakże może zaistnieć potrzeba zmiany tych ustawień w zależności od sceny, zależności od warunków panujących w miejscu montażu kamery oraz obserwowanej przez kamerę sceny. Szczegóły dotyczące sposobu konfiguracji podstawowych parametrów pracy kamery znajdują się w rozdziale 6.4 niniejszej instrukcji obsługi.

5. Kąty odchylenia pionowego i poziomego kamery względem rozpoznawanych tablic nie powinny przekraczać w sumie 30 stopni

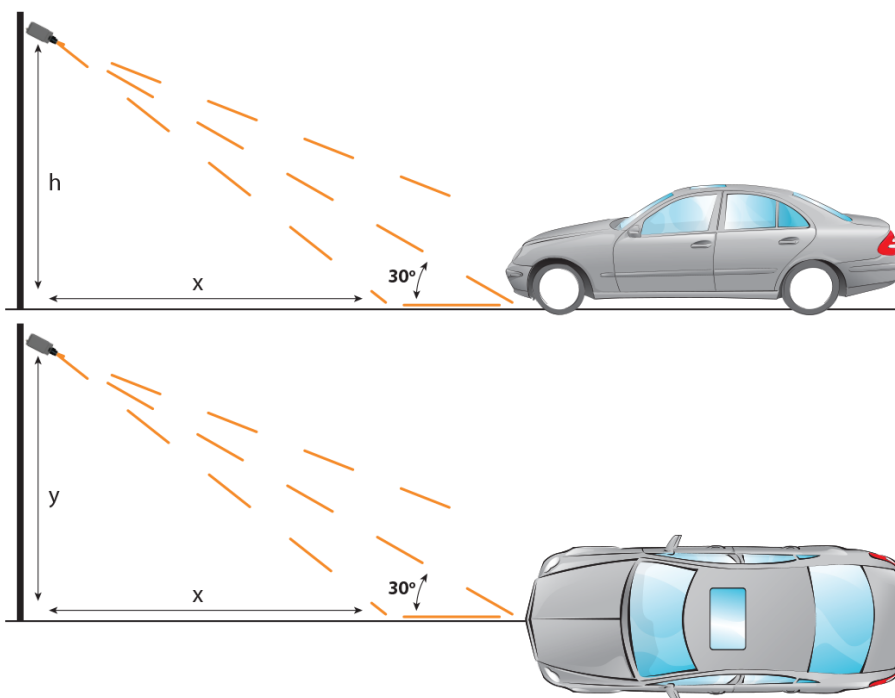
6. Należy pamiętać, aby na tablicę rejestracyjną nie padały odbicia światła (widzialnego jak i również podczerwonego)

7. Dodatkowo należy zadbać, aby kamera nie obserwowała (bezpośrednio lub poprzez odbicia) słońca.

Montaż powinien zostać przeprowadzony zachowując następujące założenia co do kąta ustawienia kamery względem obszaru rozpoznania kamery, przedstawiają to poniższe rysunki oraz w tabelach umieszczono przykładowe odległości zawierające się w maksymalnym kącie 30 stopni. Należy pamiętać, aby suma kątów nie przekraczała 30 stopni.

h [m]	Minimalna odległość x [m]
1	1,7
1,5	2,6
2	3,4
2,5	4,3
3	5,1
3,5	6
4	6,8

Y [m]	Minimalna odległość x [m]
1	1,7
1,5	2,6
2	3,4
2,5	4,3
3	5,1
3,5	6
4	6,8



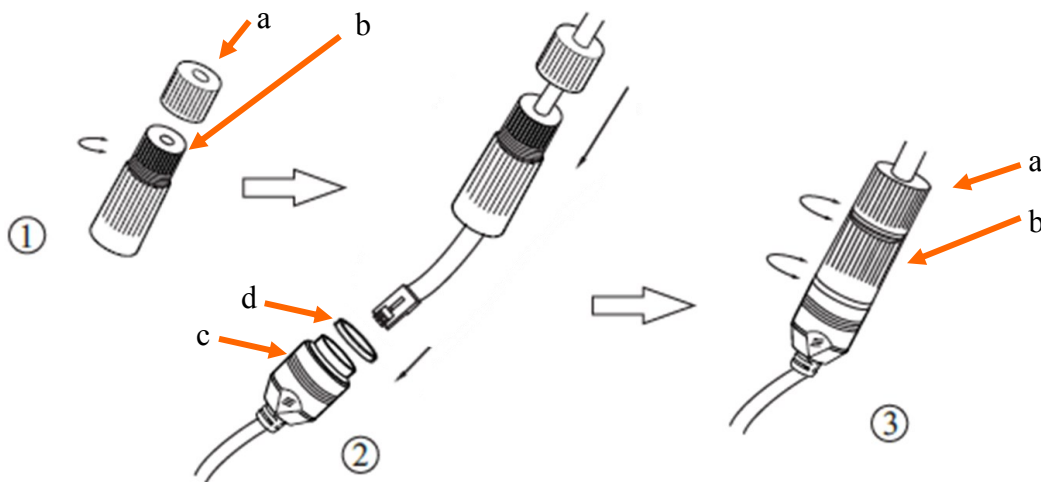
MONTAŻ KAMERY

3.2. Podłączenie kabla sieciowego

Aby zachować hermetyczność połączenia kabla sieciowego należy postępować zgodnie z poniższą instrukcją:

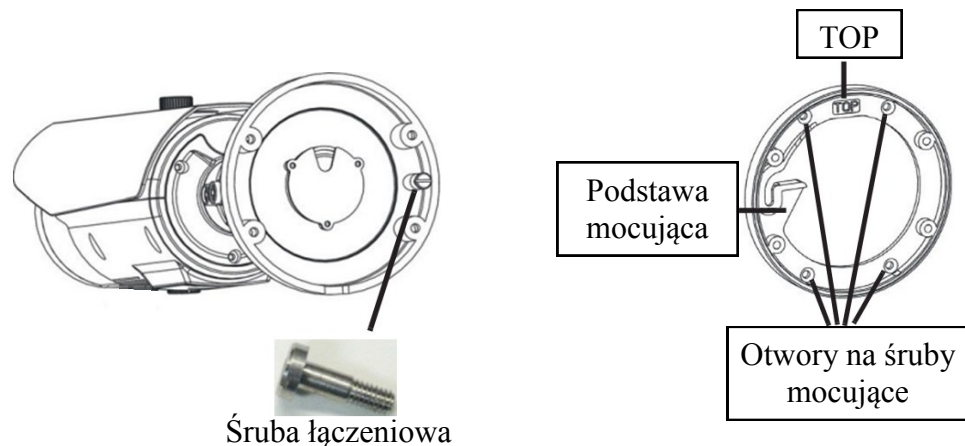
1. Odkręcić nakrętkę (a) od głównego elementu zabezpieczającego (b).
2. Poprowadzić kabel sieciowy (bez końcówki) przez oba elementy. Po przełożeniu kabla zacisnąć końcówkę RJ-45. Zainstalować uszczelkę (d) na gnieździe (c).
3. Podłączyć kabel do gniazda hermetycznego (c), przykręcić główną osłonę (b), a następnie nakrętkę (a).

Uwaga! Pozostałe złącza/gniazda kamery nie są hermetyczne. Użytkownik powinien zapewnić ich szczelność we własnym zakresie.



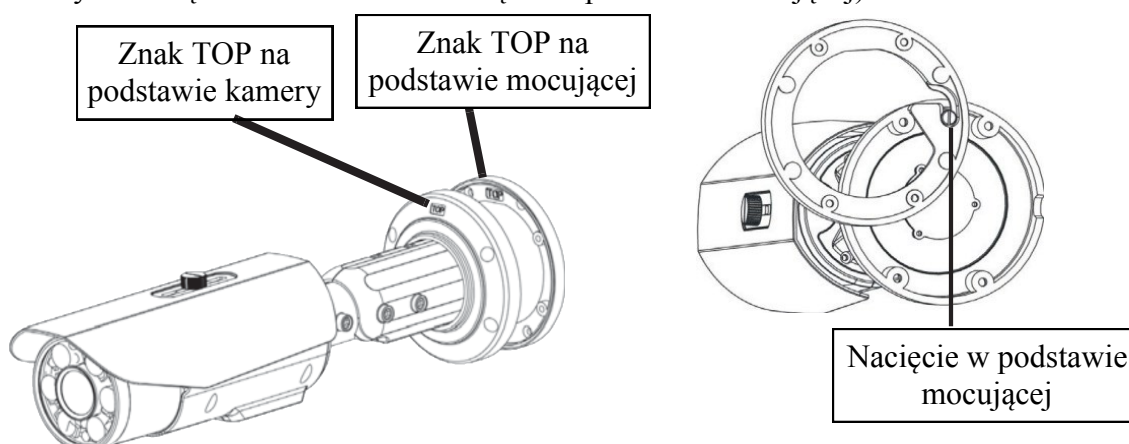
3.3 Montaż kamery

- Przyłożyć szablon montażowy do podłoża i zaznaczyć miejsca pod otwory na wkręty mocujące.
- Wywiercić otwory na wkręty mocujące.
- Wywiercić dodatkowy otwór pod kabel wideo i zasilający.
- Używając wkrętów dołączonych do zestawu, przykręcić podstawę mocującą kamery do powierzchni sufitu/ściany. Podstawę mocującą należy zamontować znakiem TOP skierowanym do siebie.
- Upewnić się, że śruba łączeniowa jest zamontowana z tyłu kamery.

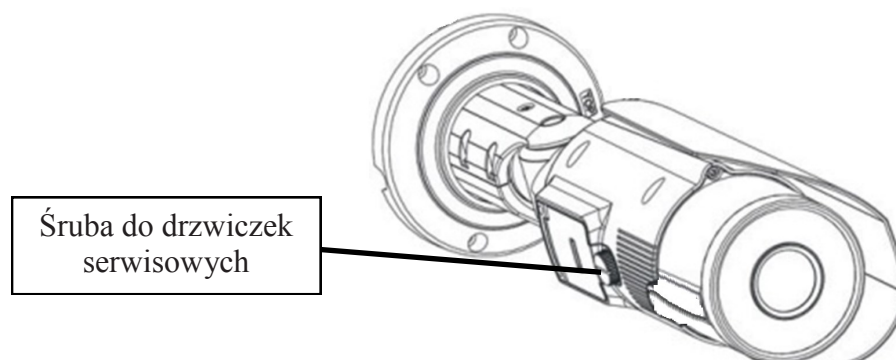


MONTAŻ KAMERY

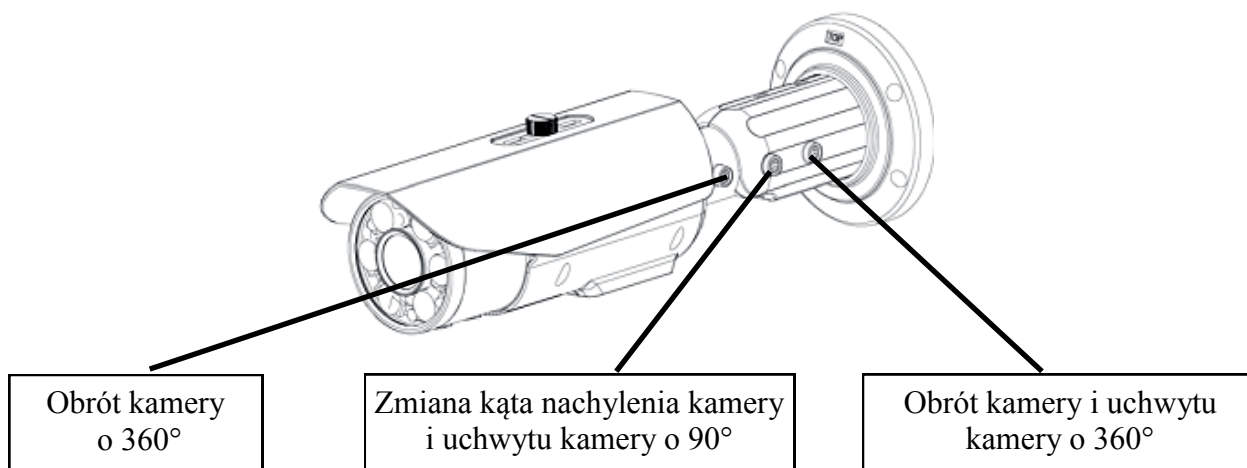
- Upewnić się, że śruba łączeniowa jest zamontowana z tyłu kamery.
- Przełożyć kable zasilania i wideo przez wcześniej przygotowany otwór w suficie/ścianie.
- Przyłożyć podstawę kamery do podstawy mocującej, wyrównać znak TOP na podstawie kamery ze znakiem TOP na podstawie mocującej, obrócić kamerę o około 10° zgodnie z ruchem wskazówek zegara, a następnie obrócić ją w kierunku przeciwnym do ruchu wskazówek zegara (tak aby śruba łączeniowa trafiła w nacięcie w podstawie mocującej).



- Przymocować kamerę do podstawy mocującej, za pomocą śrub sześciokątnych dołączonych do zestawu.
- (Opcjonalnie) Odkręcić śrubę dociskającą drzwiczki serwisowe do obudowy kamery i otworzyć drzwiczki serwisowe. Podłączyć serwisowe wyjście wideo RCA do monitora.



- Dokonać połączenia niezbędnych złączy elektrycznych (opis w rozdziale 7 niniejszej instrukcji)
- Ustawić położenie kamery tak, aby uzyskać pożądaný widok na scenę.
- Zamknąć drzwiczki serwisowe i mocno dokręcić śrubę, która je dociska do obudowy kamery.



URUCHAMIANIE I WSTĘPNA KONFIGURACJA KAMERY IP

4. URUCHAMIANIE I WSTĘPNA KONFIGURACJA KAMERY IP

4.1. Uruchomienie kamery IP

W celu uruchomienia kamery należy podłączyć kabel ethernetowy do gniazda sieciowego RJ45 kamery IP, a drugi koniec do przełącznika sieciowego PoE.

Możliwe jest również zasilanie kamery z zewnętrznego stabilizowanego zasilacza o parametrach spełniających wymagania kamery. Opis podłączenia zasilania znajduje się w rozdziale 7 niniejszej instrukcji.

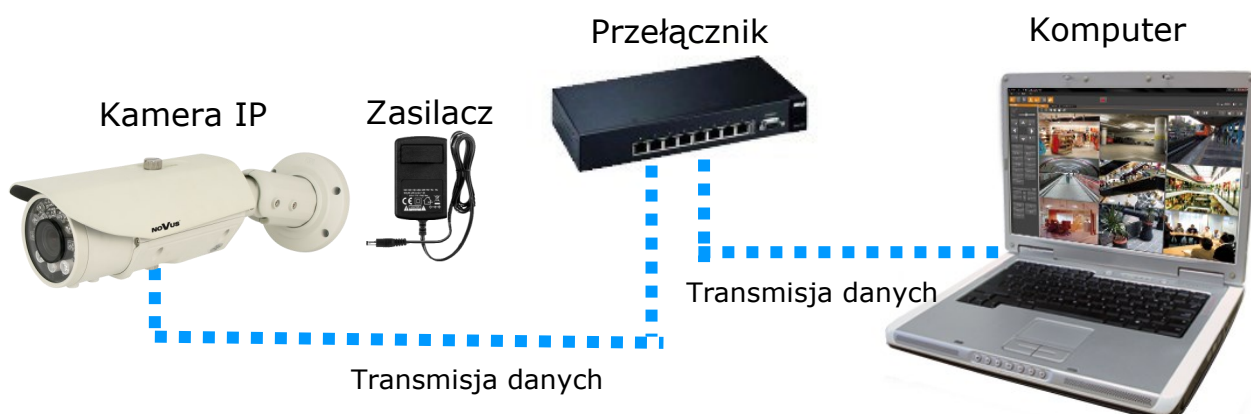
Po upływie ok. 3 min. można przystąpić do łączenia się z kamerą przez przeglądarkę internetową.

Zalecaną metodą uruchomienia i konfiguracji kamery IP jest połączenie jej do komputera PC lub laptopa w wydzielonym przełączniku PoE do którego nie ma podłączonych innych urządzeń. W przypadku zasilania z zewnętrznego zasilacza wystarczy zastosować dowolny przełącznik sieciowy, lub kabel podłączony bezpośrednio do komputera. W celu uzyskania danych potrzebnych do konfiguracji sieci (adres IP, brama, maska sieci itd.) należy skontaktować się z administratorem sieci, w której urządzenie ma pracować.

- Połączenie wykorzystujące przełącznik sieciowy z PoE

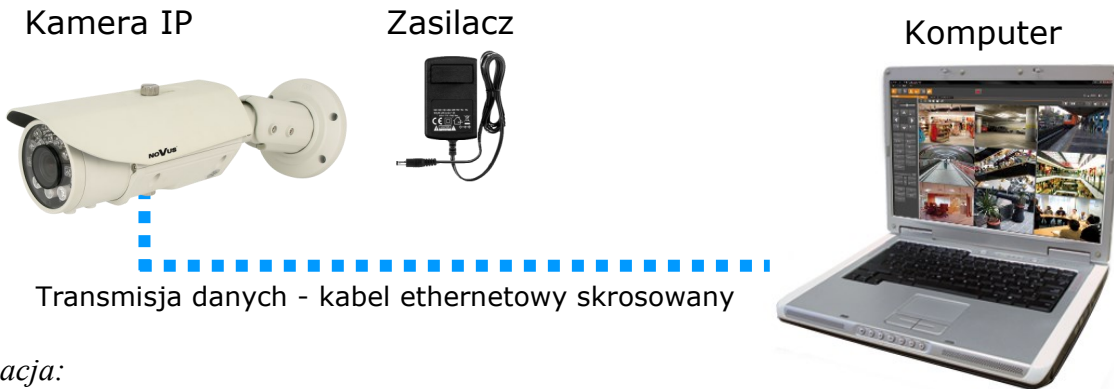


- Połączenie wykorzystujące zewnętrzne zasilanie kamery i przełącznik sieciowy



URUCHAMIANIE I WSTĘPNA KONFIGURACJA KAMERY IP

- Połączenie wykorzystujące zewnętrzne zasilanie kamery i kabel ethernetowy skrosowany



Informacja:

Zasilacz zewnętrzny nie wchodzi w skład zestawu, należy się w niego zaopatrzyć we własnym zakresie.

UWAGA:

W celu ochrony kamery przed uszkodzeniem zalecane jest zastosowanie zabezpieczeń przepięciowych. Awarie powstałe w wyniku przepięć nie podlegają naprawie gwarancyjnej.

4.2. Konfiguracja parametrów przy użyciu przeglądarki internetowej

Konfigurację sieciową kamery można przeprowadzić przy pomocy przeglądarki internetowej.

Domyślne ustawienia sieciowe dla kamer IP NVIP-2DN5021H/IRH-1P/LPR to :

1. Adres IP = **192.168.1.200**
2. Maska sieci - **255.255.255.0**
3. Brama - **192.168.1.1**
4. Nazwa użytkownika - **root**
5. Hasło - **pass**

Znając adres IP kamery należy ustawić adres IP komputera w taki sposób aby oba urządzenia pracowały w jednej podsieci (dla adresu IP kamery 192.168.1.200 jako adres IP komputera PC możemy ustawić adres z zakresu 192.168.1.0 - 192.168.1.254, np.: 192.168.1.60). Niedopuszczalne jest ustawianie adresu komputera takiego samego jak adres kamery.

Wykorzystując połączenie przez przeglądarkę internetową Internet Explorer lub oprogramowanie NMS należy ustawić docelową konfigurację sieciową (adres IP, maskę sieci, bramę, serwery DNS) lub włączyć tryb pracy DHCP pozwalający na pobranie adresu IP z serwera DHCP (wymagany jest wówczas działający serwer DHCP). W przypadku korzystania z serwera DHCP należy upewnić się co do długości okresu dzierżawy adresu IP, jego powiązania z adresem MAC kamery IP w celu uniknięcia zmiany lub utraty adresu IP w czasie pracy urządzenia lub chwilowej awarii sieci / serwera DHCP. Należy pamiętać że po zmianie adresu IP kamera zostanie zresetowana i trzeba wpisać nowy adres w przeglądarce internetowej.

Po konfiguracji ustawień sieciowych pozwalających na bezkonfliktową pracę urządzenia, kamerę IP możemy podłączyć do sieci docelowej.

URUCHAMIANIE I WSTĘPNA KONFIGURACJA KAMERY IP

4.3. Zalecenia dotyczące bezpieczeństwa sieci

UWAGA!

Poniżej zostały przedstawione podstawowe zalecenia dotyczące budowy oraz konfiguracji systemów telewizji dozorowej podłączonych do sieci Internet, pozwalające ograniczyć ryzyko nieautoryzowanej ingerencji w system przez osoby trzecie.

1. Bezwzględnie należy zmienić domyślne hasła dostępu oraz nazwy użytkowników (jeśli dane urządzenia dają taką możliwość) wszystkich zastosowanych urządzeń sieciowych (tzn. rejestratora, kamer, routerów, przełączników sieciowych itp.) na hasła o znacznym stopniu skomplikowania. W zależności od możliwości konfiguracji danego urządzenia zaleca się, aby hasło zawierało: małe litery, wielkie litery, cyfry oraz znaki specjalne.

2. W zależności od dostępnej funkcjonalności w celu ograniczenia dostępu do zastosowanych urządzeń sieciowych na poziomie konta administratora zaleca się odpowiednią konfigurację kont użytkowników.

3. Bezwzględnie zabronione jest wykorzystywanie funkcji DMZ (Demilitarized zone - strefa zdemilitaryzowana). Zastosowanie tej funkcji otwiera dostęp do systemu od strony sieci Internet na wszystkich możliwych portach, co w znacznym stopniu ułatwia ewentualną nieautoryzowaną ingerencję w system.

Zamiast wykorzystywania funkcji DMZ należy zastosować przekierowanie portów. Przekierowane powinny zostać jedynie porty niezbędne do realizacji połączenia (szczegółowych informacji na temat portów komunikacji w poszczególnych modelach rejestratorów, kamer itp. należy szukać w instrukcjach obsługi urządzeń).

4. Należy stosować routery wyposażone w funkcję zapory sieciowej (Firewall) oraz upewnić się że funkcja jest włączona oraz odpowiednio skonfigurowana.

5. Jeśli urządzenia sieciowe posiadają taką funkcjonalność zalecana jest zmiana domyślnych numerów portów wykorzystywanych do komunikacji sieciowej.

6. Jeśli urządzenia sieciowe posiadają funkcję UPnP i nie jest ona wykorzystywana, należy ją bezwzględnie wyłączyć.

7. Jeśli urządzenia sieciowe posiadają funkcję P2P i nie jest ona wykorzystywana, należy ją wyłączyć.

8. Jeśli urządzenia sieciowe obsługują protokół HTTPS do realizacji połączeń zaleca się jego stosowanie.

9. Jeśli urządzenia sieciowe obsługują funkcję filtracji adresów IP uprawnionych do nawiązywania połączenia zaleca się jej wykorzystywanie.

10. Jeśli zastosowany rejestrator sieciowy wyposażony jest w dwa interfejsy sieciowe zaleca się odseparowanie sieci do której podłączone są kamery od sieci posiadającej połączenie internetowe. Dzięki temu urządzeniem dostępnym z poziomu sieci Internet będzie rejestrator natomiast połączenie z kamerami nie będzie możliwe.

POŁĄCZENIA SIECIOWE ZA POMOCĄ PRZEGLĄDARKI WWW

5. POŁĄCZENIA SIECIOWE ZA POMOCĄ PRZEGLĄDARKI WWW

5.1. Zalecana konfiguracja komputera PC do połączeń przez przeglądarkę WWW

Poniższe wymagania dotyczą połączenia z kamerą IP przy założeniu wyświetlania obrazu wideo w rozdzielczości 1920 x 1080 dla 25kl/s.

1. Procesor **Intel Core i5 3 GHz** lub wyższy
2. Pamięć **RAM min. 4 GB**
3. Karta grafiki **NVidia GeForce z 512 MB**
4. System operacyjny **Windows 7 / 8 / 8.1 / 10**
5. Karta sieciowa **100/1000 Mb/s**

5.2. Połączenie sieciowe z kamerą IP za pomocą przeglądarki WWW

UWAGA:

Aby zachować poprawność działania funkcji zrzutu obrazu oraz nagrywania obrazu na komputer, przeglądarkę należy uruchomić z poziomu administratora, ponadto dla poprawności działania funkcji odtwarzania nagrań z karty micro SD adres kamery należy także dodać do zaufanych witryn w opcjach przeglądarki.

W pasku adresu przeglądarki internetowej należy wpisać adres IP kamery. Jeśli podany adres jest prawidłowy i docelowe urządzenie jest w danej chwili osiągalne zostanie wyświetlone okno logowania do interfejsu sieciowego:

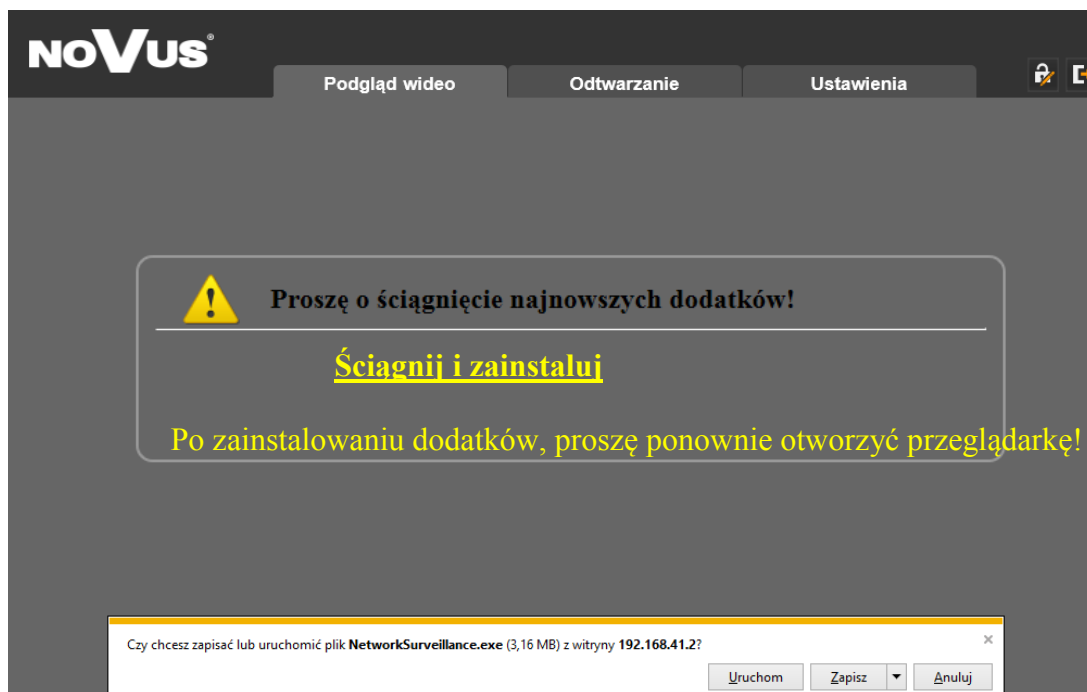


Z listy wyborów można wybrać język wyświetlany w menu (dostępne są języki: polski, angielski, niemiecki, rosyjski). Domyślny język to język angielski.

Domyślny użytkownik to **root**, a hasło **pass**. Ze względów bezpieczeństwa zaleca się zmianę domyślnych wartości. Nową nazwę użytkownika i hasło należy zapamiętać lub zapisać w bezpiecznym miejscu.

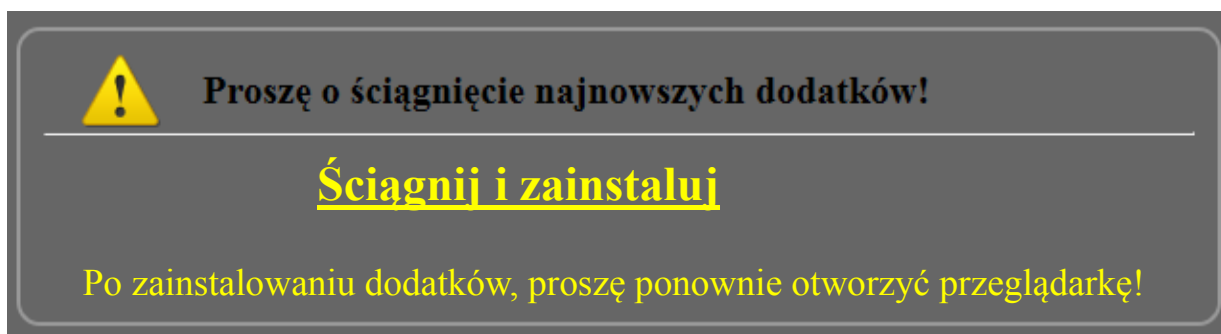
POŁĄCZENIA SIECIOWE ZA POMOCĄ PRZEGLĄDARKI WWW

Jeżeli kamera w danej przeglądarce uruchamiana jest pierwszy raz, po zalogowaniu do kamery ukaze nam się obraz jak poniżej:

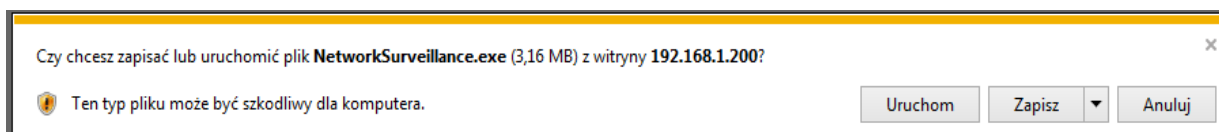


Do poprawnej obsługi kamery z poziomu przeglądarki niezbędny jest dodatek, należy go pobrać i zainstalować, aby to zrobić, należy:

- Kliknąć w *Ściągnij i zainstaluj*



- Kliknąć w przycisk *Zapisz*

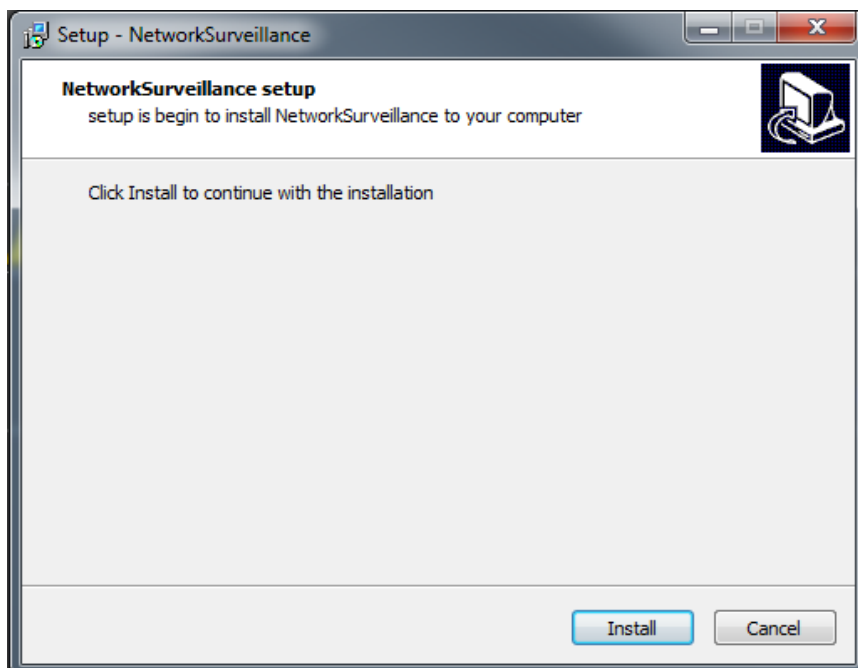


- Kliknąć w przycisk *Uruchom*

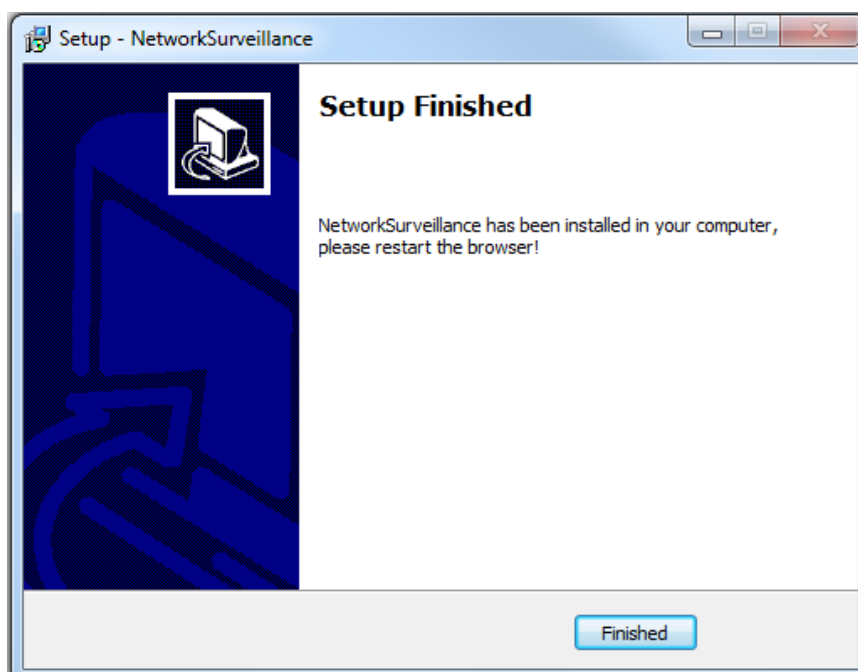


POŁĄCZENIA SIECIOWE ZA POMOCĄ PRZEGLĄDARKI WWW

- Kliknąć przycisk *Install*



- Po zakończeniu instalacji, kliknąć przycisk *Finished*



UWAGA: W przypadku pracy w systemie Windows Vista/7/8/10 możliwe jest zablokowanie apletu ActiveX przez Windows Defender i Kontrolę konta użytkownika. W takim przypadku należy zezwolić na uruchamianie dodatku lub po prostu wyłączyć działanie blokujących aplikacji.

UWAGA: Jeżeli podczas pobierania lub instalacji wystąpiły błędy, należy wybrać *Ustawienia Zabezpieczeń* w *Opcjach Internetowych* przeglądarki IE, oraz włączyć funkcję *Pobieranie niepodpisanych formantów ActiveX*.

INTERFEJS WWW - PRACA Z KAMERA

6. INTERFEJS WWW - PRACA Z KAMERA

6.1. Wyświetlanie obrazu na żywo

1. Zakładki menu kamery

2. Przycisk *Zmień hasło* oraz przycisk *Wyloguj*

3. Okno ostatniego rozpoznania

4. Okno podglądu wideo

5. Informacje o strumieniu wideo

6. Strumień stream1

7. Tabela historii wykrycia

Czas	Numer rejestracyjny	Obraz rejestracji samochodowej	Kierunek	Akcja	Lista	Kraj
2018-07-03 21:32:33	WN7395G	WN-7395G	Do przodu	SMTP	Brak na liście	POL
2017-11-08 15:46:51	001NUM01	001 NUM 01	Nieznany	SMTP	Czarna lista	FRA
2017-11-08 15:46:40	0952BC1	0952 BC-1	Undefined	Wyjście alarmowe	Biała lista	BLR
2017-11-08 15:46:28	AK9265AK	AK 9265 AK	Undefined	SMTP	Brak na liście	UKR
2017-11-08 15:46:17	C227HA69	C 227 HA 69	Nieznany	Wyjście alarmowe	Biała lista	RUS
2017-11-08 15:46:04	001NUM01	001 NUM 01	Undefined	SMTP	Czarna lista	FRA
2017-11-08 15:45:54	0952BC1	0952 BC-1	Nieznany	Wyjście alarmowe	Biała lista	BLR
2017-11-08 15:44:56	AK9265AK	AK 9265 AK	Nieznany	SMTP	Brak na liście	UKR

1. Zakładki menu kamery

- *Podgląd wideo* - otwiera okno wyświetlania obrazu na żywo
- *Odtwarzanie* - otwiera okno odtwarzania nagrań kamery - dla poprawności działania należy dodać adres kamery do Widoku zgodności przeglądarki (patrz rozdział 6.2)
- *Ustawienia* - otwiera menu ustawień kamery

2. Przycisk *Zmień hasło* oraz przycisk *Wyloguj* - służą do zmiany hasła oraz wylogowania aktualnie zalogowanego użytkownika

3. Okno ostatniego rozpoznania - zawiera informacje na temat ostatnio wykrytej tablicy, takie jak zdjęcie wykrytej tablicy rejestracyjnej, czas wykrycia tablicy z datą i godziną, numer rejestracyjny, kierunek poruszania się pojazdu, akcję powiązaną z wykrytą tablicą, informację o przynależności do czarnej bądź białej listy oraz zidentyfikowanym kraju.

4. Okno podglądu wideo

5. Informacje o strumieniu wideo

INTERFEJS WWW - PRACA Z KAMERĄ

6. Menu podglądu wideo

Strumienie stream1 ▾ Wybór wyświetlanego strumienia wideo.

▶ ■ Przycisk *Wideo* - włącza/wyłącza obraz kamery.

☰ - Przycisk *Na żywo / Płynnie* - włącza/wyłącza funkcję poprawy płynności obrazu.

🔊 - Przycisk *Audio* - włącza/wyłącza wyjście audio.

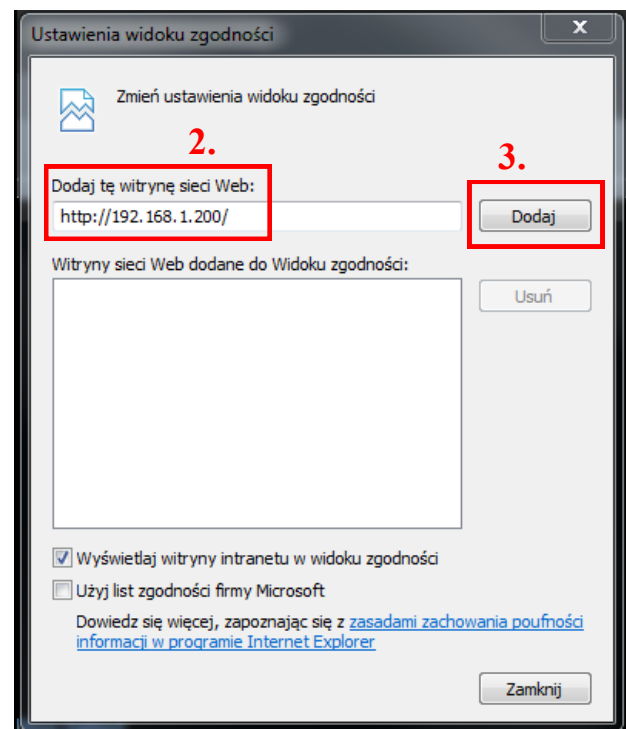
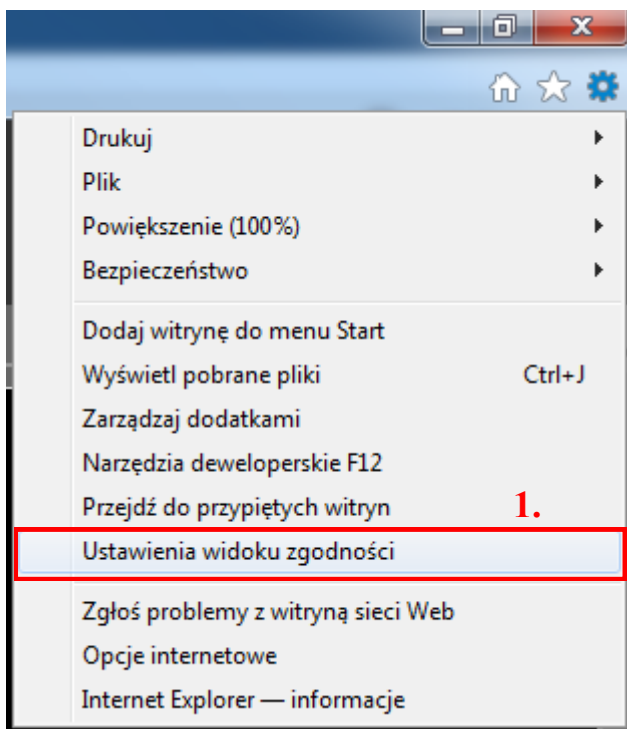
🎤 - Przycisk *Interkom* - włącza/wyłącza wejście oraz wyjście audio.

⚙️ - Przycisk *Sensor* - włącza menu ustawień sensora.

📷 - Przycisk *Zrzut obrazu* - wykonuje zrzut obrazu z kamery.

6.2 Dodawanie adresu kamery do ustawień widoku zgodności przeglądarki Internet Explorer

Aby uzyskać poprawność działania wszystkich funkcji kamery, należy dodać jej adres do Widoku zgodności przeglądarki. Należy uruchomić „Ustawienia widoku zgodności” w opcjach przeglądarki (1.), a następnie w ukazanym oknie należy wpisać adres kamery (2.) i nacisnąć przycisk *Dodaj* (3.).



UWAGA! Prosimy o zapoznanie się z pełną wersją instrukcji obsługi, znajdującą się na stronie www.novusctv.com. Zawiera ona szczegółowy opis funkcji kamery.

INTERFEJS WWW - PRACA Z KAMERA

6.3. Konfiguracja ustawień LPR

W celu konfiguracji ustawień związanych z rozpoznawaniem tablic rejestracyjnych należy przejść do *Ustawienia => Rozpoznawanie tablic*

6.3.1. Czarna/Biała lista

The screenshot shows the 'Czarna/Biała lista' configuration page. At the top, there is a search bar (1) and buttons for export/import (2) and add/delete (3). Below is a table with columns: Numer rejestracyjny, Typ listy, Początek, and Koniec. The table contains four entries. Below the table is a checkbox 'Zaznacz wszystkie' (6) and navigation buttons (5). At the bottom, there is an 'Zaawansowane' section (7) with settings for Typ listy, FTP, Wyjście alarmowe, and SMTP, along with 'Zastosuj' and 'Odśwież' buttons.

Numer rejestracyjny	Typ listy	Początek	Koniec
<input type="checkbox"/> WENOVUS	Biała lista	2016-05-16 11:46:43	2022-09-21 11:46:43
<input type="checkbox"/> C227HA69	Biała lista	2016-06-12 12:15:16	2020-07-04 12:15:16
<input type="checkbox"/> 001NUM01	Czarna lista	2016-05-30 12:15:04	2020-06-11 12:15:04
<input type="checkbox"/> 0952BC1	Biała lista	2016-06-06 12:14:55	2020-06-12 12:14:55

1. Pole wyszukiwania - służy do wyszukiwania tablic rejestracyjnych z podanymi znakami.
2. Przycisk eksportu/importu czarnej i białej listy.
3. Przycisk dodawania/usuwania zapisanych tablic do/z listy
4. Okno wyświetlające zapisane tablice.
5. Przyciski nawigacyjne wykorzystywane do zmiany stron
6. Przycisk zaznaczający wszystkie pozycje z listy
7. Okno *Zaawansowane* - służy do ustawienia odpowiednich reakcji po wykryciu tablic należących do czarnej, białej listy oraz dla tablic których nie ma na listach.

Aby dodać tablice rejestracyjną do czarnej/białej listy, należy nacisnąć przycisk dodawania tablicy do listy, w tabeli pojawi się nowy wiersz, jak poniżej

Numer rejestracyjny	Typ listy	Początek	Koniec
<input type="checkbox"/> Proszę podać rejestrację	Czarna lista	2018-07-03 12:52:40	2018-07-04 12:52:40

INTERFEJS WWW - PRACA Z KAMERĄ

Pierwszym krokiem jest podanie numeru rejestracyjnego w wyznaczonym miejscu oraz wybór *Typu Listy* - czarna bądź biała lista. Następnie należy nacisnąć i wybrać datę dla *Początku* oraz dla *Końca* aktywności tablicy w bazie.

Informacja!

Domyślnie tablica zaznaczony ma *Koniec* na dobę po aktualnie ustawionym czasie w kamerze. Brak zmian czasu *Koniec* oraz aktualnej daty i godziny w kamerze skutkować może problemami związanymi z automatycznym usuwaniem tablic z listy.

Po ustawieniu odpowiedniego czasu należy nacisnąć znaczek ✓.

Po dodaniu tablic do tabeli należy wejść w ustawienia *Zaawansowane* i dla odpowiednich list (*Czarna lista*, *Biała lista*, *Brak na liście*, *Wszystkie*) należy wybrać odpowiednie reakcje.

UWAGA!

Domyślnie dla białej listy włączona jest reakcja wyjścia alarmowego.

6.3.2. Parametry

Suwakiem należy wybrać minimalną szerokość rejestracji samochodowej będącej na obrazie, następnie należy wpisać kąt natarcia pojazdu wzorując się schematem umieszczonym po prawej stronie od obrazu z kamery oraz należy narysować strefę w której tablice mają być wykrywane - im dokładniejsza strefa tym większe prawdopodobieństwo poprawnego wykrycia tablicy rejestracyjnej.



6.3.3. Powiązania

Menu służy do konfiguracji reakcji kamery na zdarzenia rozpoznania numerów tablicy rejestracyjnej. W pozycji *Stan alarmowy* można zdefiniować tryb pracy wyjścia alarmowego jako *NO* lub *NC* oraz w pozycji *Czas trwania (sek.)* czas jego aktywności po wystąpieniu zdarzenia. Poniżej możliwe jest włączenie/wyłączenie pozostałych reakcji systemu, takich jak *Przesyłanie obrazów na FTP* oraz *Wyświetlanie numerów tablic rejestracyjnych*, dla których ustawić należy *Czas wyświetlania numerów tablic rejestracyjnych na OSD*.

INTERFEJS WWW - PRACA Z KAMERĄ

6.3.4. Wyszukiwanie

W menu *Wyszukiwanie* można wyszukiwać i następnie eksportować tabelę wykrytych tablic rejestracyjnych z danego okresu czasu, kraju, o danym numerze rejestracyjnym, w określonym kierunku oraz z listy danego typu.

UWAGA! Kamera jest zintegrowana z oprogramowaniem NMS (NOVUS MANAGEMENT SYSTEM) między innymi w zakresie rejestracji obrazu, obsługi zdarzeń alarmowych oraz rejestracji i wyszukiwania rozpoznanych numerów tablic rejestracyjnych. W celu uzyskania szczegółowych informacji w tym zakresie należy zapoznać się pełną wersją instrukcji obsługi kamery oraz instrukcją obsługi oprogramowania NMS dostępnymi do pobrania na stronie www.novusctv.com.

6.4. Konfiguracja podstawowych parametrów sensora

Menu *Sensor* kamery NVIP-2DN5021H/IRH-1P/LPR zostało opracowane specjalnie dla kamery LPR kładąc nacisk na czytelność tablic rejestracyjnych w różnych warunkach oświetleniowych.

6.4.1. Profile i harmonogramy

Jako że ustawienia sensora są bardzo istotne dla jakości odczytywanych tablic, a odczyt diametralnie różni się w trybie dziennym i w trybie nocnym, tak oto w kamerze Novus LPR przy zachowaniu wyłączonego harmonogramu w menu *Sensor*, *Profil 1* jest wykorzystywany dla trybu dziennego, a *Profil 2* wykorzystywany jest dla trybu nocnego. Włączenie harmonogramów skutkuje przejściem sensora w tryb podstawowy, co oznacza przełączanie profili wedle ustawionych harmonogramów.

6.4.2. Ustawienia sensora dla kamery LPR

Najważniejsze parametry sensora mające wpływ na odczyt tablic rejestracyjnych to *Ekspozycja*, *Migawka*, *Wzmocnienie* oraz *Obszar pomiaru*. Ustawienia domyślne kamery LPR dostosowane zostały przez naszych specjalistów dla większości możliwych scen montażu kamery, jednakże niektóre obiekty przez swoją specyfikę potrzebować będą modyfikacji odpowiednich ustawień sensora. Najważniejsze aspekty przedstawione zostały dalej.

Ekspozycja domyślnie dla trybu dziennego (*Profil 1*) ustawiona jest w *Tryb automatyczny*, a *Obszar pomiaru* wybrany jest na *Całość*. Ustawienia te pozwalają kamerze dostosowywać się do sceny na którą jest ona skierowana. Dla trybu nocnego (*Profil 2*) *Ekspozycja* również ustawiona jest w *Tryb automatyczny*, jednak *Obszar pomiaru* ustawiony jest na *Centralny obszar*. Ustawienie to pozwala kamerze skupić się na centralnym miejscu w którym znajdować powinna się rejestracja, dzięki czemu ekspozycja kamery dostosowywana będzie do odpowiedniego odczytu rejestracji pojazdu, a nie obszarze wokół.

Migawka w kamerze LPR jest elementem krytycznym, domyślnie ustawiona jest dla trybu dziennego (*Profil 1*) na poziomie 1/25. Tryb nocny (*Profil 2*) ustawioną migawkę ma na poziomie 1/1000, dzięki czemu światło odbijające się od tablicy rejestracyjnej nie oślepi kamery lecz wpływa pozytywnie na jej czytelność. Zwiększenie częstotliwości *Migawki* spowoduje zmniejszenie się ilości światła, co za tym idzie na obrazie w nocy widoczna głównie będzie tablica rejestracyjna odbijająca światło a reflektory samochodu nie będą oślepiały kamery. Dla uzyskania jasności całego obrazu zmodyfikować należy ustawienie *Wzmocnienia*, które ceną szumów rozjaśni bądź przyciemni nam cały obraz. Ustawienie to może się okazać przydatne przy bardzo słabym oświetleniu otoczenia obserwowanej sceny.

UWAGA! Po zmianie *Ustawień sensora* należy zapisać (bądź nie) ustawienia a następnie przejść w tryb podglądu. W przeciwnym razie tryb automatycznej zmiany pomiędzy profilami przy przejściu w tryb dzienny i nocny nie powiedzie się.

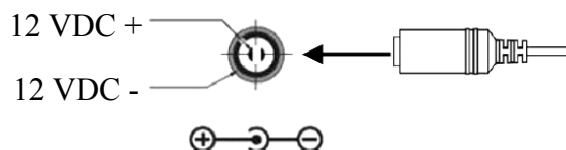
POŁĄCZENIA ELEKTRYCZNE I ZŁĄCZA AKCESORIÓW

7. POŁĄCZENIA ELEKTRYCZNE I ZŁĄCZA AKCESORIÓW

7.1. Podłączenie zasilania kamery

Kamera może być zasilana przez zewnętrzny zasilacz o parametrach zgodnych z zasilaniem kamery lub przez gniazdo sieciowe RJ45 przy wykorzystaniu technologii PoE. Do zasilania kamery poprzez PoE należy użyć przełącznika sieciowego lub zasilacza PoE.

Schemat podłączenia zasilania 12 VDC



UWAGA: Przy podłączaniu zasilania przez złącze 12 VDC należy zwrócić uwagę na polaryzację zasilania. Opis polaryzacji umieszczony jest na złączu zasilania.

UWAGA: W celu ochrony kamery przed uszkodzeniem zalecane jest zastosowanie zabezpieczeń przepięciowych. Awarie powstałe w wyniku przepięć nie podlegają naprawie gwarancyjnej.

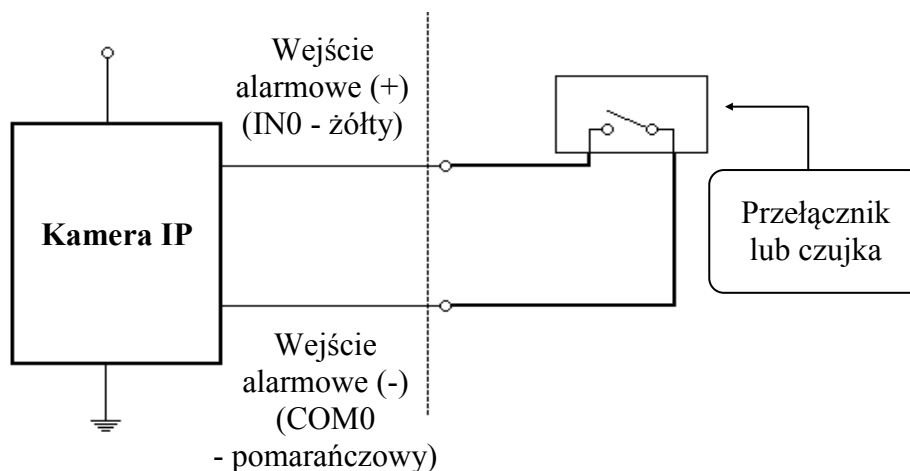
UWAGA: Zabronione jest stosowanie jako źródło zasilania kamery urządzeń (zasilacze, adaptory itp.) PoE niezgodnych ze standardem IEEE 802.3af, potocznie nazywanych „pasywne zasilacze PoE”. Uszkodzenia wynikłe ze stosowania nieodpowiednich źródeł zasilania nie podlegają gwarancji.

7.2. Opis podłączenia wejść i wyjść alarmowych.

Opis złącz alarmowych kamery znajduje się w rozdziale 2.4 niniejszej instrukcji.

Wejście alarmowe

- Typowe połączenia wejścia alarmowego



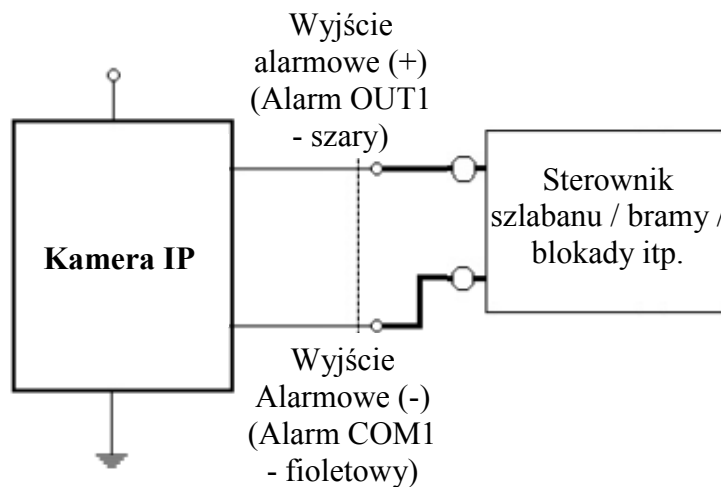
POŁĄCZENIA ELEKTRYCZNE I ZŁĄCZA AKCESORIÓW

Wyjście alarmowe

Wyjście alarmowe kamery jest wyjściem przekaźnikowym.

Maksymalne obciążenie wyjścia alarmowego: 12 VDC / 500mA

- Typowe połączenia przekaźnikowego wyjścia alarmowego.



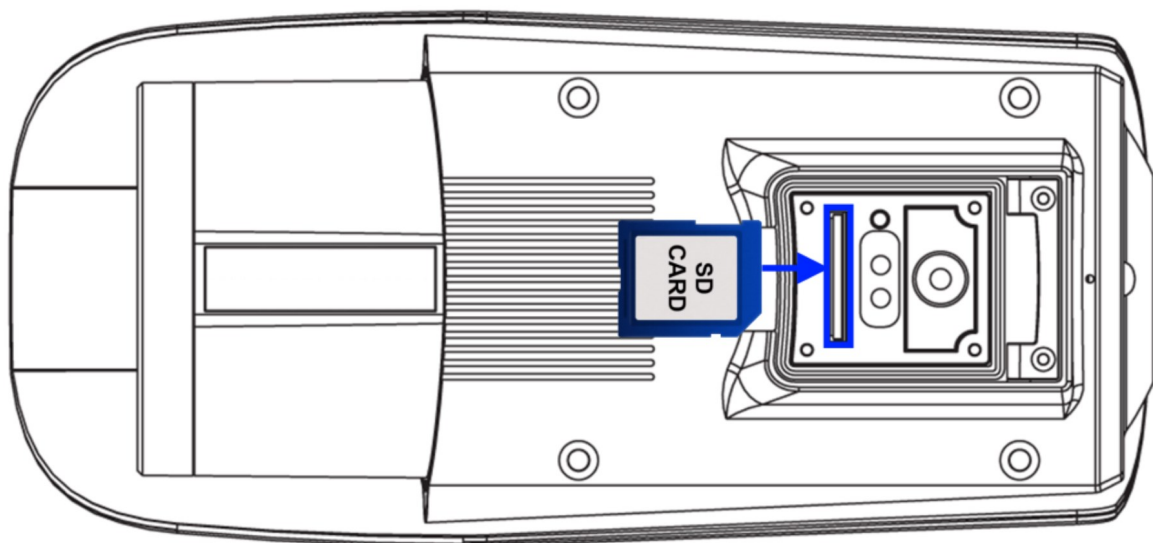
UWAGA: Należy upewnić się, że urządzenie podłączone do wyjścia alarmowego kamery nie spowoduje jego przeciążenia (maksymalne obciążenie wyjścia alarmowego wynosi 12VDC/500mA. W przypadku konieczności podłączenia urządzeń mogących przeciążyć wyjście alarmowe należy zastosować dodatkowy przekaźnik w który trzeba np. zaopatrzyć się we własnym zakresie.

POŁĄCZENIA ELEKTRYCZNE I ZŁĄCZA AKCESORIÓW

7.3. Instalacja karty SD

Kamera obsługuje karty SD o pojemności do 64GB. W celu prawidłowej instalacji karty należy postępować zgodnie z instrukcją:

- Wyłączyć kamerę
- Odkręcić śrubę do drzwiczek serwisowych i otworzyć drzwiczki serwisowe.
- Zainstalować kartę SD w gnieździe znajdującym się przy podstawie kamery zgodnie z rysunkiem:



- Zamknąć drzwiczki serwisowe i mocno dokręcić śrubę, która je dociska do obudowy kamery.
- Włączyć zasilanie kamery.
- Sformatować kartę systemem plików kamery IP w następujący sposób:
Wybrać z menu *Nagrywanie lokalne => Lokalizacja plików*. Wybrać pozycję *Zmień*, zaznaczyć pozycję *Karta SD*, a następnie wybrać pozycję *Formatowanie* i potwierdzić polecenie formatowania dysku. Wyświetli się okno pokazujące aktualny status formatowania karty. Po zakończeniu formatowania wcisnąć przycisk *OK*.
- Sprawdzić pojemność karty SD w zakładce *Nagrywanie lokalne => Lokalizacja plików*.

PRZYWRACANIE USTAWIEŃ FABRYCZNYCH KAMERY

8. PRZYWRACANIE USTAWIEŃ FABRYCZNYCH KAMERY

Kamery IP marki NOVUS umożliwiają resetowanie ustawień:

- programowo (z poziomu przeglądarki) restartowanie ustawień kamery
- sprzętowo (przy użyciu przycisku reset) przywracanie ustawień fabrycznych kamery.

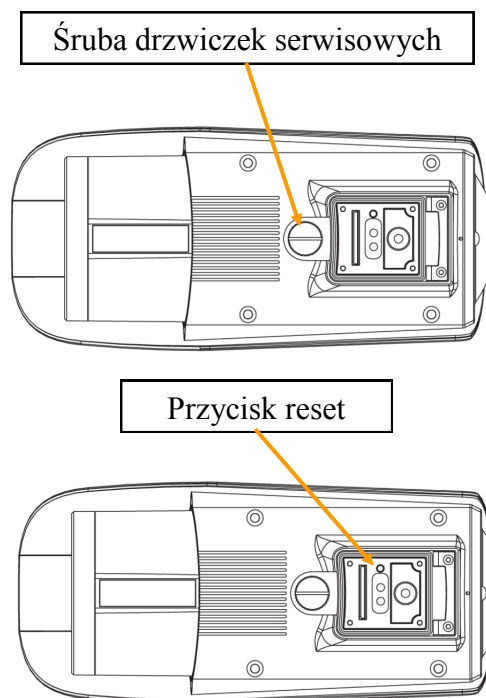
8.1. Programowe resetowanie ustawień kamery IP

Resetowanie ustawień kamery IP powoduje przywrócenie wszystkich domyślnych ustawień kamery (opcjonalnie z pominięciem ustawień sieciowych). Kamera zostanie ponownie uruchomiona po ok. 2 minutach. Opcja do programowego przywrócenia ustawień fabrycznych znajduje się w zakładce *Konserwacja*.

8.2. Przywracanie ustawień fabrycznych kamery IP (sprzętowo)

W celu sprzętowego przywrócenia ustawień fabrycznych kamery IP należy postępować zgodnie z instrukcją:

- odkręcić śrubę dociskającą drzwiczki serwisowe do obudowy kamery i otworzyć drzwiczki serwisowe,
- wcisnąć przycisk *RESET* i przytrzymać przez więcej niż 5 sekund,
- zwolnić przycisk,
- zalogować się ponownie po ok. 2 minutach używając domyślnego adresu IP (<http://192.168.1.200>), nazwy użytkownika (root) i hasła (pass),
- zamknąć drzwiczki serwisowe i mocno dokręcić śrubę, która dociska je do obudowy kamery.



NOVUS[®]

AAT Holding S.A.

ul. Puławska 431, 02-801 Warszawa
tel.: (22) 546 0 700, fax: (22) 546 0 719
www.novuscctv.com

2018-07-31 MO MM