

user's manual



NVAHD-2DN5100MC-3

NOVUS®

INFORMATION

EMC (2004/108/EC) and LVD (2006/95/EC) Directives CE Marking

Our products are manufactured to comply with the requirements of the following directives and national regulations implementing the directives:

- Electromagnetic compatibility EMC 2004/108/EC.
- Low voltage LVD 2006/95/EC with further amendment. The Directive applies to electrical equipment designed for use with a voltage rating of between 50VAC and as well as 75VDC and 1500VDC.



WEEE Directive 2012/19/EU

Information on Disposal for Users of Waste Electrical and Electronic Equipment

This appliance is marked according to the European 1000VAC Directive on Waste Electrical and Electronic Equipment (2012/19/EU) and further amendments. By ensuring this product is disposed of correctly, you will help to prevent potential negative consequences for the environment and human health, which could otherwise be caused by inappropriate waste handling of this product.

The symbol on the product, or the documents accompanying the product, indicates that this appliance may not be treated as household waste. It shall be handed over to the applicable collection point for used up electrical and electronic equipment for recycling purpose. For more information about recycling of this product, please contact your local authorities, your household waste disposal service or the shop where you purchased the product.



RoHS Directive 2011/65/EU

Out of concern for human health protection and friendly environment, we assure that our products falling under RoHS Directive regulations, regarding the restriction of the use of hazardous substances in electrical and electronic equipment, have been designed and manufactured in compliance with the above mentioned regulations. Simultaneously, we claim that our products have been tested and do not contain hazardous substances whose exceeding limits could have negative impact on human health or natural environment.

Information

The device, as a part of professional CCTV system used for surveillance and control, is not designed for self installation in households by individuals without technical knowledge.

The manufacturer is not responsible for defects and damages that result from improper or inconsistent with user's manual installation of the device in the system.

SAFETY REQUIREMENTS

WARNING!

THE KNOWLEDGE OF THIS MANUAL IS AN INDESPENSIBLE CONDITION OF A PROPER DEVICE OPERATION. YOU ARE KINDLY REQUESTED TO FAMILIRIZE YOURSELF WITH THE MANUAL PRIOR TO INSTALLATION AND FURTHER DEVICE OPERATION.



WARNING!

USER IS NOT ALLOWED TO DISASSEMBLE THE CASING AS THERE ARE NO USER-SERVICEABLE PARTS INSIDE THIS UNIT. ONLY AUTHORIZED SERVICE PERSONNEL MAY OPEN THE UNIT

INSTALLATION AND SERVICING SHOULD ONLY BE DONE BY QUALIFIED SERVICE PERSONNEL AND SHOULD CONFORM TO ALL LOCAL REGULATIONS

WARNING!

PRIOR TO UNDERTAKING ANY ACTION THAT IS NOT DESCRIBED FOR THE GIVEN PRODUCT IN USER'S MANUAL AND OTHER DOCUMENTS DELIVERED WITH THE PRODUCT, OR IF IT DOES NOT ARISE FROM THE USUAL APPLICATION OF THE PRODUCT, MANUFACTURER MUST BE CONTACTED UNDER THE RIGOR OF EXCLUDING THE MANUFACTURER'S RESPONSIBILITY FOR THE RESULTS OF SUCH AN ACTION.

IMPORTANT SAFEGUARDS AND WARNINGS

1. Prior to undertaking any action please consult the following manual and read all the safety and operating instructions before starting the device.
2. Please keep this manual for the lifespan of the device in case referring to the contents of this manual is necessary;
3. All the safety precautions referred to in this manual should be strictly followed, as they have a direct influence on user's safety and durability and reliability of the device;
4. All actions conducted by the servicemen and users must be accomplished in accordance with the user's manual;
5. The device should be disconnected from power sources during maintenance procedures;
6. Usage of additional devices and components neither provided nor recommended by the producer is forbidden;
7. Mounting the device in places where proper ventilation cannot be provided (e. g. closed lockers etc.) is not recommended since it may lead to heat build-up and damaging the device itself as a consequence;
8. Mounting the camera on unstable surface or using not recommended mounts is forbidden. Improperly mounted camera may cause a fatal accident or may be seriously damaged itself. The camera must be mounted by qualified personnel with proper authorization, in accordance with this user's manual;

SAFETY REQUIREMENTS

9. Device should be supplied only from a power sources whose parameters are in accordance with those specified by the producer in the camera technical datasheet. Therefore, it is forbidden to supply the camera from a power sources with unknown parameters, unstable or not meeting producer's requirements;
10. Signal cables (conducting TV or / and telemetric signal) should be placed in a way excluding the possibility of damaging them by accident. Special attention must be paid to cables getting from the camera and connecting the power supply;
11. To avoid equipment damage, whole TV circuit should be equipped with properly made discharge-, overload- and lightning protection devices. Usage of separating transformers is advised;
12. Electric installation supplying the device should be designed to meet the specifications given by the producer in such a way that overloading is impossible;
13. User cannot repair or upgrade the equipment himself. All maintenance actions and repairs should be conducted only by qualified service personnel;
14. Unplug the camera from the power source immediately and contact the proper maintenance department when the following occurs:
 - ◆ Damages to the power cord or to the plug itself;
 - ◆ Liquids getting inside the device or exposure to strong mechanical shock;
 - ◆ Device behaves in a way not described in the manual and all adjustments approved by the manufacturer and possible to apply by user himself, seem not to have any effect;
 - ◆ Camera is damaged;
 - ◆ Atypical behaviour of the camera components may be seen (heard).
16. In necessity of repairs attention to using only original replacement parts (with their parameters in accordance with those specified by the producer) should be paid. Non-licensed service and non-genuine replacement parts may cause fire or electrocution;
17. After maintenance activities tests should be run to ensure proper operation of all the functional components of the device.

The declared degree of protection of the camera relates to its housing and does not take into account the possibility of moisture infiltration into the interior of the camera by connecting cables. Connection cables protection through i.e. sealing up is the responsibility of the camera installer. The manufacturer is not liable for any damages to the camera caused as a result of failing in performing that activity by installer, which also means that camera damaged in that way is not subject to warranty repairs.

Attention!

Technical changes reserved without prior notice and printing errors possible.

FOREWORD INFORMATION

1. PACKAGE CONTENTS

- Video camera with plug in the lens mounting place
- Mount adapter for C type lens mount
- L wrench
- 4 pin Mini-DIN connector (for video or DC-type auto-iris lens)
- User's manual

If any of the listed equipment has been damaged during transport or if the package is incomplete, the contents of package should be packed back in to the original box. Please contact your local NOVUS distributor for further assistance.

eng

2. MAIN CHARACTERISTICS

- Mechanical IR cut filter,
- IR operation capability
- Horizontal resolution: 1080p
- Min. sensitivity 0.0001 lx/F=1/4
- 2DNR and 3DNR digital noise reduction
- WDR - wide dynamic range
- SENS-UP - digital slow shutter (DSS)
- BLC - back light compensation
- HLC - high light compensation
- DEFOG - improves visibility during fog and rain
- The ability to work in NTSC System
- The ability to work in 1080p AHD, CVI, TVI and analog 960H mode
- Other functions:
 - 4 motion detection zones
 - 4 privacy zones
 - mirror effect, freeze, negative image
 - defective pixels correction
 - defining the camera name
 - adjusting the brightness and sharpness
- OSD menu
- Power supply: 230VAC

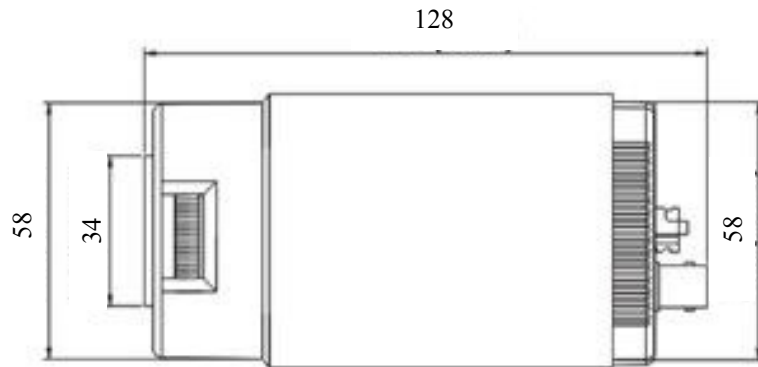
FEATURES AND SPECIFICATION

3. SPECIFICATION

IMAGE	
Image Sensor	CMOS sensor 1/2.9" SONY
Operating mode	AHD 1080p, TVI 1080p, CVI 1080p, analog 960H
Number of Effective Pixels	1920 (H) x 1080 (V)
Resolution	1080p
Min. Illumination	0.1 lx/F1.4 - color mode, 0.05 lx/F1.4 - B/W mode, 0.005 lx/F1.4 - color mode (DSS), 0.0001 lx/F1.4 - B/W mode (DSS)
S/N Ratio	> 52 dB (AGC off)
Electronic Shutter	auto/manual: 1/25 s ~ 1/50000 s (AHD)
Digital Slow Shutter (DSS)	up to 30x
High Light Compensation (HLC)	yes
Wide Dynamic Range (WDR)	yes
Digital Noise Reduction (DNR)	2D, 3D
Defog Function (F-DNR)	yes
LENS	
Compatible Mount Type	C, CS
Iris Mode	D
DAY/NIGHT	
Switching Type	mechanical IR cut filter
Switching Mode	auto, manual
Switching Level Adjustment	yes
Switching Delay	0 ~ 60 s
OTHER FUNCTIONS	
OSD	languages: Polish, English, Russian, others
Privacy Zones	4
Motion Detection	yes
Image Processing	180° image rotation, sharpening, mirror effect
Remote control	Yes
INTERFACES	
Video Output	BNC, 1.0 Vp-p, 75 Ohm
INSTALLATION PARAMETERS	
Dimensions (mm)	58 (W) x 62 (H) x 125 (L)
Weight	0.39 kg
Enclosure	aluminium, white
Power Supply	100 ~ 230 VAC
Power Consumption	2.3 W
Operating Temperature	-30°C ~ 40°C

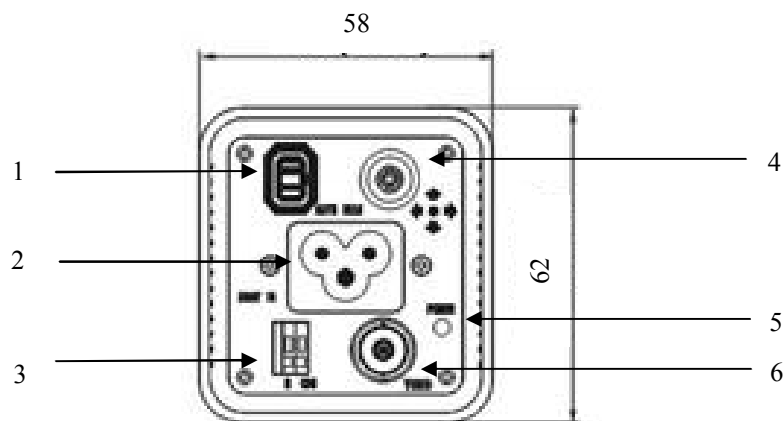
FEATURES AND SPECIFICATION

3.1 Dimensions



3.2. View of the camera, layout of the camera items

Rear view



- 1 - Auto Iris Lens Connector
- 2 - Power supply connector 230V AC
- 3 - CDS connector used to connect external Day/Night control
- 4 - Joystick
- 5 - Power supply diode
- 6 - BNC connector

INSTALLATION

4. INSTALLATION

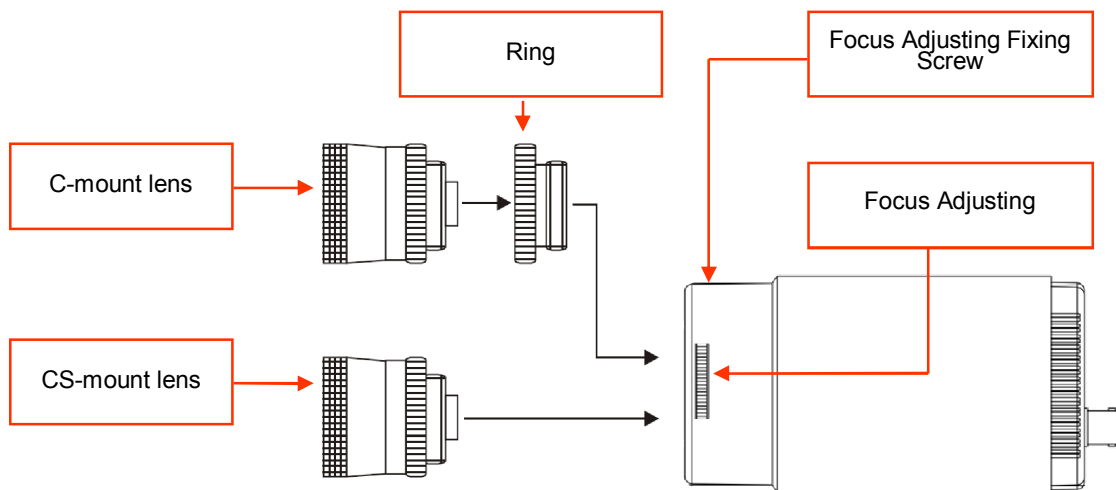
4.1 Lens installation

The NVAHD-2DN5100MC-3 camera support manual and auto iris D type lenses. It is recommended to use IR series lenses for day/night camera and for cooperation with IR illuminators. In case of operation with IR illuminators it is necessary to use IR series lenses.

Thanks to ring, application usage of C-mount lenses is possible .

Note: In case of using CS-mount lenses additional ring is not needed.

Side view



4.1.1 Fixed iris lens installation

In order to install manual iris lens one should:

- Carefully remove the plug protecting the CCD pick-up element
- Carefully screw the lens to the end of the thread till slight resistance can be felt
- Supply power to the camera, adjust focal length and focus. In the **MAIN SETUP** menu set lens control as **MANUAL** and set appropriate mode of electronic shutter

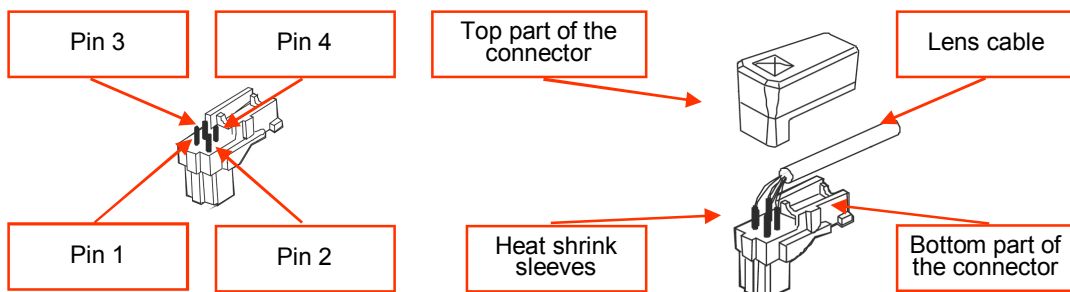
Note: For best results, perform focus adjustments at night (with iris fully opened) or while using a #6 or #8 welder's glass in front of the lens to avoid overexposure.

4.1.2 Auto iris lens installation (type D)

In order to install auto iris lens one should:

- Carefully remove the plug protected the CCD pick-up element
- Carefully screw the lens till slight resistance can be felt
- Plug the connector into the auto iris jack of the camera

Note: If lens cable does not end with a connector use the connector supplied with the camera. According to the lens manual and advices below, one should solder the cables to the connector and protect them against short circuit by the heat shrink sleeves.



Pin	Function
1	Dumping coil -
2	Dumping coil +
3	Drive coil +
4	Drive coil -

- In the camera menu set lens control as **DC**
- Supply power to the camera, adjust focal length and focus

Note: For best results, perform focus adjustments at night (with iris fully opened) or while using a #6 or #8 welder's glass in front of the lens to avoid overexposure.

INSTALLATION

4.1.3 Manual iris lens installation

In order to install manual iris lens one should:

- Carefully remove the plug protecting the CCD pick-up element
- Carefully screw the lens till slight resistance can be felt

Note: For best results, perform focus adjustments at night (iris is full open) or while using a #6 or #8 welder's glass in front of the lens to avoid overexposure.

Note: The level of iris opening should be adjusted with camera pointed to a scene with highest possible illumination (at its installation place). Please focus on obtaining a picture with highest illumination, but without overexposing the picture.

4.1.4 CDS connection

Camera got CDS connector that allows to control camera day/night working mode through external IR LED illuminator or other equipment.

In order to start the camera control through the IR illuminator, get access to the OSD menu (**MAIN MENU**) select **DAY & NIGHT** option and change to **EXT**.

- Additionally, in that menu, you can set the delay switching between day/night mode and night/day in seconds (0-60s)

Control voltage range is between 3,3V-5V. If control voltage is applied to the CDS connector, forces the camera to work in color mode. In absence of voltage at the CDS connector camera works in black and white mode.

ATTENTION:

Control voltage must not be greater than 12V due to the risk of damage to the camera.

ATTENTION:

Must be strictly observed the polarity of the control voltage. If you connect a control voltage in the reverse polarity, the camera may be damaged!

Description of the terminals:

G - Ground (-)

CDS - Control voltage (+)



CDS connector

4.2 Power supply connection

Warning: Device should be supplied only from a power sources whose parameters are in accordance with those specified by the producer in the camera technical datasheet. Therefore, it is forbidden to supply the camera from power sources with their parameters unknown, unstable or not meeting the producer's requirements.

CAUTION:

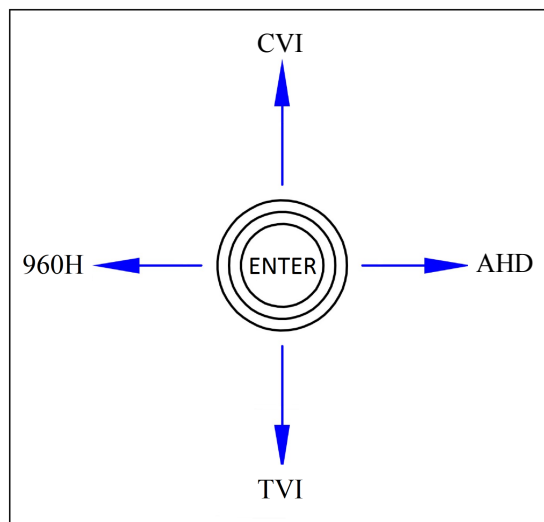
In case of the image failure after connecting camera, or video loss due to changes in the menu, it is possible to restore the factory settings. Following procedure is also recommended when camera menu is not working. To restore factory settings:

1. Turn the power off and on again.
2. If the picture does not appear, perform the following sequence of joystick keys:
press ENTER, UP, RIGHT, press ENTER.

Successful completing these steps restores factory settings (AHD 1080p, PAL).

NOTE:

Camera got four available modes: AHD, CVI, TVI and analog 960H. To use each mode user need to press and hold joystick in selected position for at least 5 seconds.

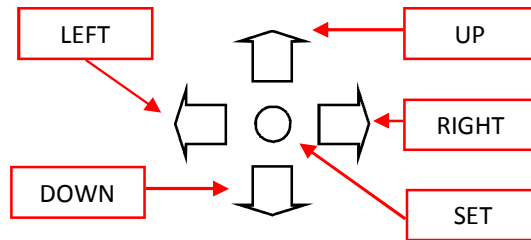


SETTINGS

5. SETTINGS

NVAHD-2DN5100MC-3 camera feature the OSD menu. During camera standard operation status information may be displayed on the screen.

As it has been mentioned before, 5 buttons on the rear panel are dedicated to navigation and making changes:



In order to enter the menu press the joystick down, which results in executing **ENTER** command. For choosing the submenus please move the joystick into **UP**, **DOWN** positions. If a 8 symbol is present, enter particular sub-menu by pressing the joystick, which is associated with executing the **ENTER** command. To change the parameters use the **LEFT** and **RIGHT** joystick positions. In order to leave the menu select **EXIT** and press **ENTER**. To exit submenu please select **RETURN** position, and press **ENTER**. Selecting (via left/right joystick movement) **END** in the **ENTER** position closes the menu and leaves to main camera view.

5.1. Main menu

CAUTION: the current menu and options can be different then the one show below if user select other mode then AHD

In order to enter the menu press the joystick button (**ENTER** command). The following menu is displayed on the screen:

MAIN MENU	
1. LENS	MANUAL
2. EXPOSURE	↵
3. BACKLIGHT	OFF
4. WHITE BAL	ATW
5. DAY&NIGHT	EXT ↵
6. NR	↵
7. SPECIAL	↵
8. ADJUST	↵
9. EXIT	SAVE&END ↵

5.1.1 LENS submenu

This submenu allows to set lens parameters:

DC LENS MODE	
1. MODE	INDOOR
2. IRIS SPEED	8
3. RETURN	RET ↵

MANUAL - manual iris lens or fixed iris lens

DC - auto iris mode (DC signal control) - opens another sub-menu.

MODE - selects the operating inside mode (**INDOOR**) or outside mode (**OUTDOOR**)

IRIS SPEED - sets the shutter speed (0 to 15).

OUTDOOR mode opens another sub-menu where you can set the minimum and maximum aperture.

5.1.2 EXPOSURE submenu

This submenu contains exposure and shutter speed settings.

EXPOSURE	
1. SHUTTER	AUTO
2. AGC	7
3. SENS-UP	AUTO ↵
4. BRIGHTNESS	56
5. D-WDR	OFF
6. DEFOG	OFF
7. RETURNL	RET ↵

eng

SETTINGS

SHUTTER - shutter mode control. Allows you to choose the automatic mode (**AUTO**), the manual mode with adjustable shutter speed in the range of 1/25 ~ 1/50000s and ability to enable the DSS function in the range from x2 to x30, and flicker reduction (**FLK**).

AGC - Sets AGC gain. Higher gain make a scene brighter, but noise increases. It allows to adjust the gain in the range from 0 to 15.

SENSUP - Digital Slow Shutter function - helps to obtain better, brighter images in low light by selecting the multiplier of shutter speed in the range from x2 to x30 (opens another sub-menu).

BRIGHTNESS - sets brightness level in the range from 1 to 100.

D-WDR - this function allows to enable/disable wide dynamic range function that enables to observe the scene with different illumination levels. After selecting this function, there is a submenu to adjust the level in the range from 0 to 8.

DEFOG - allows you to enable correction functions of image disrupted by the influence of fog, rain, etc. It opens another sub-menu that allows you to set the zone and the degree of noise reduction.

eng

5.1.3 BACKLIGHT submenu

These compensation functions allow to enhance visibility of the objects located in the foreground, surrounded by strongly illuminated background (**BLC**)

BLC - function allows to enhance visibility of the objects located in the foreground, surrounded by strongly illuminated background. Pressing **ENTER** button in this mode displays the following menu:

BLC	
1. LEVEL	MIDDLE
2. AREA	↓
3. DEFAULT	↓
4. RETURN	RET ↓

Submenu presented allows to set the size and location of the area where the **BLC** function is active, furthermore it allows to set the sensitivity of the function.

SETTINGS

B/W	
1. BURST	OFF
2. IR SMART	OFF
3. IR PWM	0
4. RETURN	RET ↵

B/W - forces continuous black & white mode. Selecting displays following submenu for adjusting additional values:

BURST - enables/disable chrominance signal synchronization.

IR SMART - function ensuring balanced brightness level of the picture during operation with an IR illuminator (which prevents overexposure of the objects located close to the camera and its illuminator). Entering the function allows to set function area and sensitivity, in the same manner as in motion detection menu.

IR PWM - unavailable

5.1.6 NR submenu

Allows to make settings for digital noise reduction function. Pressing **ENTER** button in this mode displays the following menu:

NR	
1. 2DNR	MIDDLE
2. 3DNR	MIDDLE
3. RETURN	RET ↵

2DNR - allows to set the level of noise reduction for static parts of the image (available settings: **OFF, LOW, MIDDLE, HIGH**)

3DNR - allows to set the level of noise reduction variables (dynamic) parts of the image (available settings: **OFF, LOW, MIDDLE, HIGH**)

NOTE:

In the 960H analog mode only 2DNR noise reduction is available.

5.1.7 SPECIAL submenu

Allows to set additional camera features. Pressing **ENTER** button in this mode displays the following menu:

SPECIAL	
1. CAM TITLE	ON ↵
2. D-EFFECT	↵
3. MOTION	OFF
4. PRIVACY	OFF
5. LANGUAGE	ENG ↵
6. DEFECT	↵
7. RS485	↵
8. RETURN	RET ↵

SETTINGS

CAM TITLE - allows to enter a string of characters that will be displayed on the screen, e.g. as camera title. Screen contains mainly alphanumeric characters, which may be used in camera's title. Select desired character and press **ENTER** key. Currently edited title is visible at the bottom of the screen. Line above it contains buttons for editing the title. To enable particular functions, please highlight them as normal characters and confirm by pressing **ENTER**. Button functions are described below:

← - moves character highlight cursor left.

→ - moves character highlight cursor right.

POS - adjusts the position of entered characters.

CLR - erases the whole title.

END - exits title editing menu.

D-EFFECT - submenu allows to set additional digital functions:

FREEZE - holds the picture currently displayed.

MIRROR - allows to change viewpoint as **MIRROR**, **ROTATE**, **V-FLIP**.

NEG. IMAGE - enables/disables displaying negative video image.

MOTION - allows (provided that **ON** option is selected) to turn a built-in motion detection feature on or off. Motion detection may simultaneously be conducted in four independent zones (with their size and location selectable by user). Detection of motion displays an „**MOTION DETECTED**” information superimposed on the screen.

MOTION		
1.	SELECT	AREA 1
2.	DISPLAY	OFF
3.	SENSITIVITY64
4.	COLOR	GREEN
5.	TRANS	1.00
6.	ALARM	↓
7.	DEFAULT	↓
8.	RETURN	RET ↓

After selecting **ON** and pressing **ENTER** adjust motion detection settings is displayed, as depicted below:

SELECT - selects the number of the area for further settings.

DISPLAY - turns on/off particular area. Also allows to set the position and size of the area.

SENSITIVITY - refers to sensitivity

COLOR - sets the color visualization of motion in a particular area

TRANS - allows to set the transparency level of visualization

ALARM - displays submenu where user can set motion visualization mode (**OFF**, **BLOCK**, **OUTLINE**, **ALL**), enable or disable displaying „**MOTION DETECTED**” information and set its display time (1 ~ 15 s). Options **ALARM OUT** and **ALARM SIG** are inactive.

DEFAULT - restores default settings.

SETTINGS

PRIVACY - allows to enable (by selecting **ON**) privacy zones. Part of the screen may be masked using four rectangular zones. Selecting **ON** and pressing **ENTER** displays a sub-menu, containing four masks positions.

PRIVACY	
1. SELECT	AREA 1
2. DISPLAY	OFF
3. COLOR	WHITE
4. TRANS	1.00
5. DEFAULT	↓
6. RETURN	RET ↓

SELECT - selects the number of the area for further settings.

DISPLAY - turns on/off particular area. Available masking methods: with overlaid color, color reversal or tessellation (**COLOR**, **INV**, **MOSAIC**). Pressing **ENTER** after selecting **COLOR**, **INV** or **MOSAIC** option will open a new submenu which allows to set the position and size of the zone.

COLOR - sets the color masking (available only if **COLOR** option was chosen).

TRANS - allows you to set the degree of transparency mask (available only if **COLOR** option was chosen).

DEFAULT - restores default settings.

LANGUAGE - switches between OSD languages: Polish, English, Russian and others.

DEFECT - allows to adjust parameters used in Dead Pixel Correction function:

DEFECT	
1. LIVE DPC	ON ↓
2. WHITE DPC	ON ↓
3. BLACK DPC	ON ↓
4. RETURN	RET ↓

LIVE DPC - sets parameters of the defective pixel correction function in real time. Selecting **ON** and pressing **ENTER** button opens a submenu for setting the gain level and the level of correction.

WHITE DPC - allows to a correct "hot pixels". Selecting **ON** and pressing **ENTER** button opens a submenu where you can specify the size and location of the zone in which the correction will be made (position **POS/SIZE**), then define the level of correction and amplification (**LEVEL** and **AGC** positions) and set **SENS-UP** option (if camera uses **SENS-UP** position). Then select **START** position and press **ENTER**, cover the lens tightly and press **ENTER** again. After correcting process the camera returns to the **DPC WHITE** menu. In the **DPC VIEW** you can check the correction effect and, if needed repeat the operation with different settings.

BLACK DPC - allows to correct (mask) dead pixels. Selecting ON and pressing ENTER button opens a submenu which define the size and location of the zone in which the correction is made (position POS/SIZE), then define the compensation level (position LEVEL). Then select **START** position and press **ENTER** button and wait for the end of the operation. In the **DPC VIEW** check the correction effect and, if needed repeat the operation with different settings.

RS485 - option disabled

5.1.8 ADJUST submenu

It allows to perform additional image adjustment. After pressing **ENTER**, the following submenu is displayed:

ADJUST	
1. SHARPNESS	AUTO ↵
2. MONITOR	LCD ↵
3. LSC	ON
4. VIDEO OUT	PAL
5. RETURN	RET ↵

SHARPNESS - allows to disable (**OFF**) and enable (**AUTO**) sharpness correction function. After selecting **AUTO** and pressing **ENTER**, next submenu is displayed, where it is possible to set the degree of correction and gain ranges for compensation

MONITOR - corrects the image parameters depending on chosen monitor (LCD monitor or CRT monitor). After pressing **ENTER**, the submenu is displayed where fine adjustments can be made.

LSC - enables and disables the function of increasing the brightness of the image edge

VIDEO OUT - chooses a system in which the camera works (PAL or NTSC)

INFORMATION:

For camera mode analog 960H in the **ADJUST** menu there are two additional items:

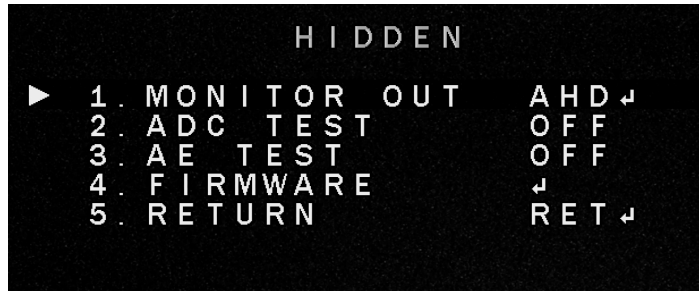
MONITOR OUT - switches the aspect ratio between 4:3 and 16:9

COMET - option disabled

SETTINGS

5.1.9 Camera Setup Menu HIDDEN

The camera has a menu of additional settings, which you access through the proper sequence of key joystick. To access **HIDDEN** should invade **EXPOSURE** menu, click the button three times **RIGHT**, and then press **ENTER**.



MONITOR OUT - selecting modes of camera - available modes: AHD, CVI, TVI, CVBS

ADC TEST - option that displays data from ADC converter for testing purposes.

FIRMWARE - the current version of the camera firmware.

RETURN - return to the previous menu.

noVus[®]

AAT Holding S.A., 431 Pulawska St., 02-801 Warsaw, Poland
tel.: +4822 546 07 00, fax: +4822 546 07 59
www.novuscctv.com

2017-05-31 MF, TF ver. 1.1

instrukcja obsługi



NVAHD-2DN5100MC-3

NOVUS®

UWAGI I OSTRZEŻENIA

Dyrektywy EMC (2004/108/EC) i LVD (2006/95/EC)



Oznakowanie CE

Nasze produkty spełniają wymagania zawarte w dyrektywach oraz przepisach krajowych wprowadzających dyrektywy: Kompatybilność elektromagnetyczna EMC 2004/108/EC. Niskonapięciowa LVD 2006/95/EC. Dyrektywa ma zastosowanie do sprzętu elektrycznego przeznaczonego do użytkowania przy napięciu nominalnym od 50VAC do 1000VAC oraz od 75VDC do 1500VDC.

pl



Dyrektywa WEEE 2012/19/UE

Informacja dla użytkowników o pozbywaniu się urządzeń elektrycznych i elektronicznych

Niniejszy produkt został oznakowany zgodnie z Dyrektywą WEEE (2012/19/UE) oraz późniejszymi zmianami, dotyczącą zużytego sprzętu elektrycznego i elektronicznego. Zapewniając prawidłowe złomowanie przyczyniają się Państwo do ograniczenia ryzyka wystąpienia negatywnego wpływu produktu na środowisko i zdrowie ludzi, które mogłoby zaistnieć w przypadku niewłaściwej utylizacji urządzenia.

Symbol umieszczony na produkcie lub dołączonych do niego dokumentach oznacza, że nasz produkt nie jest klasyfikowany jako odpad z gospodarstwa domowego. Urządzenie należy oddać do odpowiedniego punktu utylizacji odpadów w celu recyklingu. Aby uzyskać dodatkowe informacje dotyczące recyklingu niniejszego produktu należy skontaktować się z przedstawicielem władz lokalnych, dostawcą usług utylizacji odpadów lub sklepem, gdzie nabyto produkt.

Dyrektywa RoHS 2011/65/UE



Informacja dla użytkowników dotycząca ograniczenia użycia substancji niebezpiecznych w sprzęcie elektrycznym i elektronicznym.

W trosce o ochronę zdrowia ludzi oraz przyjazne środowisko zapewniamy, że nasze produkty podlegające przepisom dyrektywy RoHS, dotyczącej użycia substancji niebezpiecznych w sprzęcie elektrycznym i elektronicznym, zostały zaprojektowane i wyprodukowane zgodnie z wymaganiami tej dyrektywy. Jednocześnie zapewniamy, że nasze produkty zostały przetestowane i nie zawierają substancji niebezpiecznych w ilościach mogących niekorzystnie wpływać na zdrowie człowieka lub środowisko naturalne.

Informacja

Urządzenie, jako element profesjonalnego systemu telewizji dozorowej służącego do nadzoru i kontroli, nie jest przeznaczone do samodzielnego montażu w gospodarstwach domowych przez osoby nie posiadające specjalistycznej wiedzy. Producent urządzenia nie ponosi odpowiedzialności za wady i uszkodzenia wynikające z niewłaściwej lub niezgodnej z instrukcją obsługi instalacji urządzenia w systemie.

WARUNKI BEZPIECZEŃSTWA

UWAGA!

ZNAJOMOŚĆ NINIEJSZEJ INSTRUKCJI JEST NIEZBĘDNYM WARUNKIEM PRAWIDŁOWEJ EKSPLOATACJI URZĄDZENIA.

PROSIMY O ZAPOZNANIE SIĘ Z NIĄ PRZED PRZYSTĄPIENIEM DO INSTALACJI I OBSŁUGI KAMERY.



UWAGA !

NIE WOLNO DOKONYWAĆ ŻADNYCH SAMODZIELNYCH NAPRAW. WSZYSTKIE NAPRAWY MOGĄ BYĆ REALIZOWANE JEDYNIEM PRZEZ WYKWALIFIKOWANYCH PRACOWNIKÓW SERWISU.

pl

WARUNKI BEZPIECZEŃSTWA

1. Przed zainstalowaniem i rozpoczęciem eksploatacji należy dokładnie zapoznać się z niniejszą instrukcją obsługi i zawartymi w niej wymogami bezpieczeństwa;
2. Uprasza się o zachowanie instrukcji na czas eksploatacji kamery na wypadek konieczności odniesienia się do zawartych w niej treści;
3. Należy skrupulatnie przestrzegać wymogów bezpieczeństwa opisanych w instrukcji, gdyż mają one bezpośredni wpływ na bezpieczeństwo użytkowników i trwałość oraz niezawodność urządzenia;
4. Wszystkie czynności wykonywane przez instalatorów i użytkowników muszą być realizowane zgodnie z opisem zawartym w instrukcji;
5. W czasie czynności konserwatorskich urządzenie musi być odłączone od zasilania;
6. Nie wolno stosować żadnych dodatkowych urządzeń lub podzespołów nie przewidzianych i nie zalecanych przez producenta;
7. Nie należy instalować tego urządzenia w miejscu, gdzie nie można zapewnić właściwej wentylacji (np. zamknięte szafki, itp.), co powoduje zatrzymanie się ciepła i w konsekwencji może doprowadzić do uszkodzenia urządzenia;
8. Nie wolno umieszczać kamery na niestabilnych powierzchniach lub nie zalecanych przez producenta uchwytych. Źle zamocowana kamera może być przyczyną groźnego dla ludzi wypadku lub sama ulec poważnemu uszkodzeniu. Kamera musi być instalowana przez wykwalifikowany personel o odpowiednich uprawnieniach według zaleceń podanych w niniejszej instrukcji;
9. Urządzenie może być zasilane jedynie ze źródeł o parametrach zgodnych ze wskazanymi przez producenta w danych technicznych kamery. Dlatego też, zabrania się zasilania kamery ze źródeł o nieznanym, niestabilnym lub niezgodnym z wymaganiami określonymi przez producenta parametrach;

WARUNKI BEZPIECZEŃSTWA

10. Przewody sygnałowe i zasilające powinny być prowadzone w sposób wykluczający możliwość ich przypadkowego uszkodzenia. Szczególną uwagę należy zwrócić na miejsce wyprowadzenia przewodów z kamery oraz na miejsce przyłączenia do źródła zasilania.
 11. W celu uniknięcia uszkodzenia urządzenia, cały tor wizyjny powinien być wyposażony w prawidłowo wykonane układy ochrony przed zakłóceniami, przepięciami i wylądowaniami atmosferycznymi. Zalecane jest również stosowanie transformatorów separujących.
 12. Instalacja elektryczna zasilająca kamerę powinna być zaprojektowana z uwzględnieniem wymagań podanych przez producenta tak, aby nie doprowadzić do jej przeciążenia;
 13. Użytkownik nie może dokonywać żadnych napraw lub modernizacji urządzenia. Wszystkie naprawy mogą być wykonywane jedynie przez wykwalifikowanych pracowników autoryzowanego serwisu;
 14. Należy niezwłocznie odłączyć kamerę od źródła zasilania i przewodów sygnałowych oraz skontaktować się z właściwym serwisem w następujących przypadkach:
 - Uszkodzenia przewodu zasilającego lub wtyczki tego przewodu;
 - Przedostania się cieczy do środka urządzenia lub gdy zostało ono narażone na silny uraz mechaniczny;
 - Urządzenie działa w sposób odbiegający od opisanego w instrukcji, a regulacje dopuszczone przez producenta i możliwe do samodzielnego przeprowadzenia przez użytkownika nie przynoszą spodziewanych rezultatów;
 - Obudowa została uszkodzona;
 - Można zaobserwować nietypowe zachowanie kamery.
 15. W przypadku konieczności naprawy urządzenia należy upewnić się, czy pracownicy serwisu użyli oryginalnych części zamiennych o charakterystykach elektrycznych zgodnych z wymaganiami producenta. Nieautoryzowany serwis i nieoryginalne części mogą być przyczyną powstania pożaru lub porażenia prądem elektrycznym;
 16. Po wykonaniu czynności serwisowych należy przeprowadzić testy urządzenia i upewnić się co do poprawności działania wszystkich podzespołów funkcjonalnych kamery.
- Przed wykonaniem czynności, która nie jest przewidziana dla danego Produktu w instrukcji obsługi, innych dokumentach dołączonych do Produktu lub nie wynika ze zwykłego przeznaczenia Produktu, należy, pod rygorem wyłączenia odpowiedzialności Producenta za następstwa takiej czynności, skontaktować się z Producentem.

Deklarowana klasa szczelności kamery dotyczy jej obudowy i nie uwzględnia możliwości wnikania wilgoci do wnętrza kamery poprzez przewody przyłączeniowe. Zabezpieczenie przewodów poprzez np. uszczelnienie ich odpowiednią masą jest obowiązkiem osoby instalującej kamerę. Producent nie ponosi odpowiedzialności za wszelkie szkody, uszkodzenia kamery powstałe w skutek niedopełnienia w/w obowiązku co jednocześnie oznacza, iż nie podlegają one naprawom gwarancyjnym.

Uwaga: Producent zastrzega sobie możliwość wystąpienia błędów w druku oraz zmian parametrów technicznych bez uprzedniego powiadomienia.

INFORMACJE WSTĘPNE

1. ZAWARTOŚĆ ZESTAWU

- kamera z zaślepką ochronną w miejscu mocowania obiektywu
- pierścień dystansowy do mocowania obiektywu typu C
- klucz do śruby mocującej pierścień CS
- 4-pinowy wtyk do podłączenia przewodu sterowania przysłoną obiektywu
- instrukcja obsługi
- przewód zasilający 230V

Przed przystąpieniem do instalacji należy sprawdzić zawartość zestawu z powyższym wykazem. W przypadku stwierdzenia braków należy zaniechać instalacji i skontaktować się z dystrybutorem.

pl

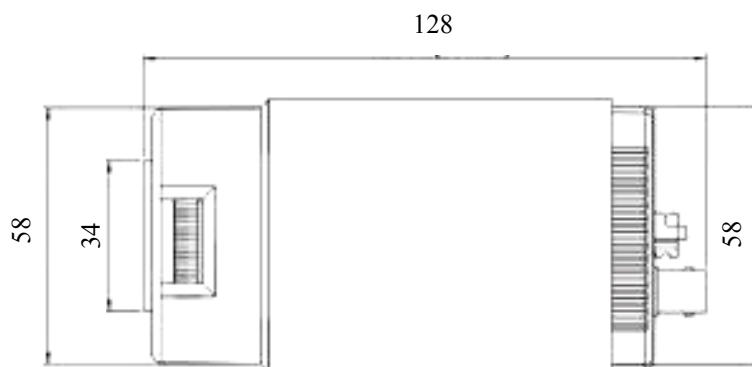
2. CHARAKTERYSTYKA OGÓLNA

- Mechaniczny filtr podczerwieni
- Możliwość pracy w podczerwieni
- Rozdzielczość pozioma 1080p
- Czulość od 0.0001 lx/F=1.4
- 2DNR i 3DNR - cyfrowa redukcja szumu
- WDR - szeroki zakres dynamiki
- SENS-UP - wydłużona migawka
- BLC - kompensacja jasnego tła
- HLC - redukcja efektu oślepienia kamery
- DEFOG - redukcja wpływu mgły
- Możliwość pracy w trybie AHD, CVI, TVI 1080p i analogowym 960H
- Możliwość pracy w trybie NTSC
- Dodatkowe funkcje:
 - 4 strefy detekcji ruchu,
 - 4 strefy prywatności,
 - odbicie lustrzane, zamrożenie obrazu, obraz negatywowy
 - maskowanie uszkodzonych pikseli
 - definiowanie nazwy kamery
 - regulacja jasności i ostrości obraz
- Menu ekranowe OSD
- Zasilanie 230VA

DANE TECHNICZNE**3. DANE TECHNICZNE**

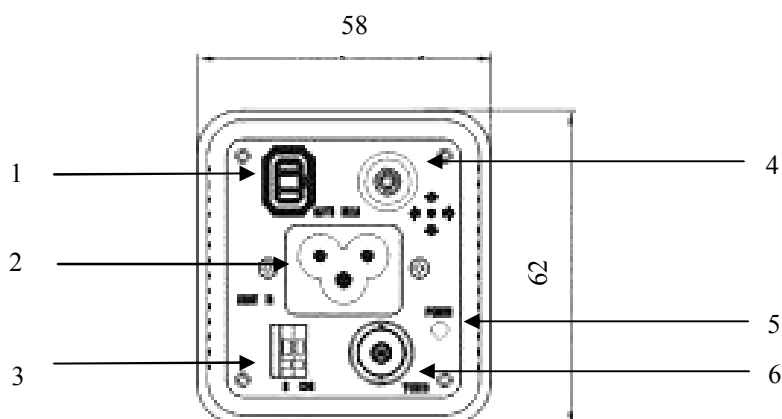
OBRAZ	
Przetwornik obrazu	matryca CMOS 1/2.9" SONY
Tryb pracy	AHD, CVI, TVI 1080p, analog 960H
Liczba efektywnych pikseli	1920 (H) x 1080 (V)
Rozdzielczość pozioma	1080p
Zużość	0.1 lx/F1.4 - tryb kolorowy, 0.05 lx/F1.4 - tryb czarno-biały, 0.005 lx/F1.4 - tryb kolorowy (DSS), 0.0001 lx/F1.4 - tryb czarno-biały (DSS)
Stosunek sygnału do szumu	> 52 dB (wyłączona ARW)
Elektroniczna migawka	automatyczna/manualna: 1/25 s ~ 1/50000 s (AHD)
Wydłużona migawka (DSS)	do 30x
Redukcja efektu oślepienia kamery (HLC)	tak
Szeroki zakres dynamiki (WDR)	tak
Cyfrowa redukcja szumu (DNR)	2D, 3D
Funkcja Defog (F-DNR)	tak
KOMPATYBILNE OBIEKTYWY	
Mocowanie	C, CS
Sterowanie przysłoną	D
DZIEŃ/NOC	
Rodzaj przełączania	mechaniczny filtr podczerwieni
Tryb przełączania	automatyczny, manualny
Regulacja poziomu przełączania	tak
Opóźnienie przełączania	0 ~ 60 s
POZOSTAŁE FUNKCJE	
Menu ekranowe	języki: polski, angielski, rosyjski, inne
Strefy prywatności	4
Detekcja ruchu	tak
Obróbka obrazu	obrót obrazu o 180°, wyostżanie, odbicie lustrzane
Zdalne sterowanie	Tak
INTERFEJSY	
Wyjście wideo	BNC, 1.0 Vp-p, 75 Ohm
PARAMETRY INSTALACYJNE	
Wymiary (mm)	58 (szer.) x 62 (wys.) x 128 (dł.)
Masa	0.39 kg
Obudowa	aluminiowa, w kolorze białym
Zasilanie	110 - 230 VAC
Pobór mocy	2.3 W
Temperatura pracy	-30°C ~ 40°C

3.1 Wymiary kamery



3.2. Wygląd kamery, rozmieszczenie elementów kamery

Widok panelu tylnego kamery



- 1 - złącze sterowania automatyczna przesłona obiektywu
- 2 - złącze zasilania 230V AC
- 3 - złącze CDS umożliwiające sterowanie funkcją dzień/noc z zewnętrznych urządzeń
- 4 - joystick nawigacyjny
- 5 - dioda sygnalizacji włączonego zasilania
- 6 - złącze BNC

INSTALACJA

4. INSTALACJA

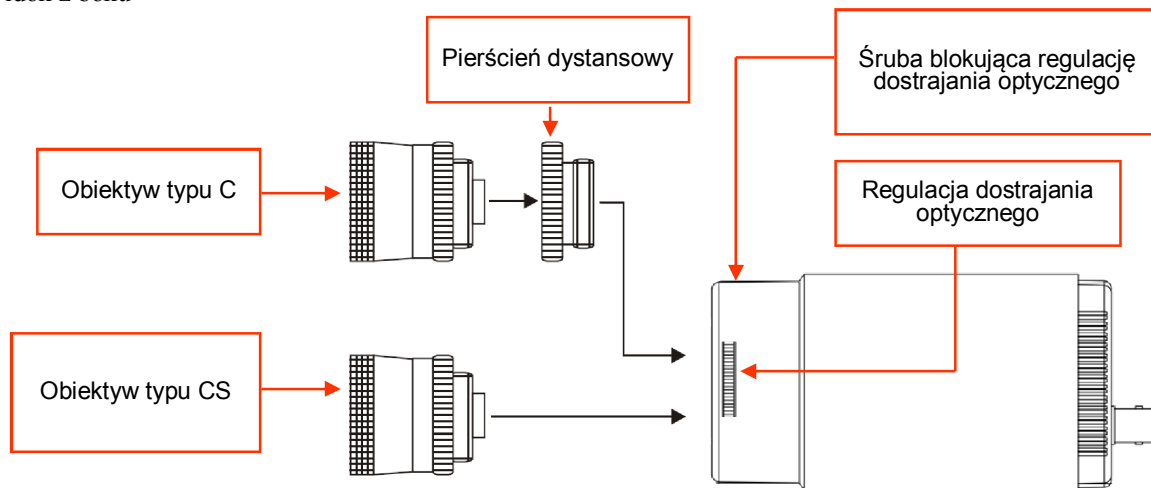
4.1 Instalacja obiektywu

Kamera NVAHD-2DN5100MC-3 może współpracować z obiektywami z przysłoną ręczną oraz automatyczną typu D. Zaleca się stosowanie obiektywów przystosowanych do pracy w podczerwieni, które dedykowane są do kamer dzień-nocnych. W przypadku stosowania oświetlaczy podczerwieni stosowanie takich obiektywów jest nieodzwonne.

Dzięki zastosowaniu pierścienia dystansowego możliwa jest współpraca z obiektywami z mocowaniem typu C.

Uwaga: W przypadku używania obiektywu z mocowaniem typu CS pierścień dystansowy nie powinien być używany.

Widok z boku



4.1.1 Instalacja obiektywu ze stałą przysłoną

Aby zainstalować obiektyw ze stałą przysłoną należy:

- usunąć ostrożnie zaślepkę zabezpieczającą przetwornik
- wkręcić ostrożnie obiektyw do końca gwintu aż do wycucia lekkiego oporu
- po uruchomieniu kamery dokonać regulacji ogniskowej i ostrości w obiektywie, w menu głównym kamery ustawić tryb sterowania obiektywem jako **MANUAL** oraz ustawić odpowiedni tryb pracy migawki elektronicznej

Uwaga: Regulacja ostrości powinna być dokonywana przy maksymalnie otwartej przysłonie. Ze względu na możliwe prześwietlenie obrazu zaleca się stosowanie filtra szarego lub dokonywania regulacji po zmroku.

4.1.2 Instalacja obiektywu z prądowym sterowaniem przysłoną (typu D)

Aby zainstalować obiektyw z przysłoną sterowaną prądowo należy:

- usunąć ostrożnie zaślepkę zabezpieczającą przetwornik
- wkręcić ostrożnie obiektyw do końca gwintu aż do wycucia lekkiego oporu
- włożyć wtyczkę obiektywu w złącze sterowania przysłoną
-

Uwaga: W przypadku, gdy przewód obiektywu nie jest zakończony wtyczką należy użyć wtyczki dołączonej z kamerą. Posługując się instrukcją obiektywu i wskazówkami zamieszczonymi poniżej należy przylutować przewody do wtyczki i zabezpieczyć je przed zwarcim odcinkami koszulki termokurczliwej.



Pin	Funkcja
1	Cewka hamująca -
2	Cewka hamująca +
3	Cewka napędowa +
4	Cewka napędowa -

- ustawić w menu kamery tryb sterowania obiektywem jako **DC**
- po uruchomieniu kamery dokonać regulacji ogniskowej i ostrości w obiektywie

Uwaga: Regulacja ostrości powinna być dokonywana przy maksymalnie otwartej przysłonie. Ze względu na możliwe prześwietlenie obrazu zaleca się stosowanie filtra szarego lub dokonywania regulacji po zmroku.

INSTALACJA

4.1.3 Instalacja obiektywu z przysłoną manualną

Aby zainstalować obiektyw z przysłoną manualną należy:

- usunąć ostrożnie zaślepkę zabezpieczającą przetwornik
- wkręcić ostrożnie obiektyw do końca gwintu aż do wyczucia lekkiego oporu

Uwaga: Regulacja otwarcia przysłony powinna być dokonywana przy największym poziomie oświetlenia możliwym do wystąpienia w miejscu instalacji kamery. Należy dążyć do uzyskania jak najjaśniejszego obrazu bez widocznych prześwietleń.

Uwaga: Regulacja ostrości powinna być dokonywana przy maksymalnie otwartej przysłonie. Ze względu na możliwe prześwietlenie obrazu zaleca się stosowanie filtra szarego lub dokonywania regulacji po zmroku.

4.1.4 Złącze CDS

Kamera posiada złącze CDS umożliwiające sterowanie przełączeniem dzień/noc, przez podłączony do niego zewnętrzny oświetlacz IR LED lub inne urządzenie.

W celu uruchomienia funkcji sterowania kamerą przez oświetlacz IR należy w menu **OSD (MAIN MENU)** w opcji **DAY&NIGHT** wybrać pozycję **EXT**.

- Dodatkowo w menu istnieje możliwość ustawienia opóźnienia przełączania pomiędzy trybami dzień/noc i trybem noc/dzień w sekundach (0-60s)

Zakres napięcia sterującego wynosi 3,3V-5V. Podanie napięcia na złącze CDS wymusza pracę kamery w trybie kolorowym. Przy braku napięcia na złączu CDS kamera pracuje w trybie czarno-białym.

UWAGA:

Ze względu na ryzyko uszkodzenia kamery, napięcie podawane na złącze CDS nie może przekraczać 12V .

UWAGA:

Należy ściśle przestrzegać polaryzacji napięcia sterującego. W przypadku podłączenia napięcia w odwrotnej polaryzacji, kamera może ulec uszkodzeniu!

Opis zacisków złącza:

G - Masa (-)

CDS - Sygnał sterujący (+)



Złącze CDS

4.2 Podłączanie zasilania

Uwaga: Kamery należy zasilać ze źródeł o odpowiednim napięciu przy użyciu dołączonego kabla zasilającego. Zastosowanie źródła zasilania o nieodpowiednich parametrach może skutkować nieprawidłową pracą urządzenia lub jego uszkodzeniem.

UWAGA:

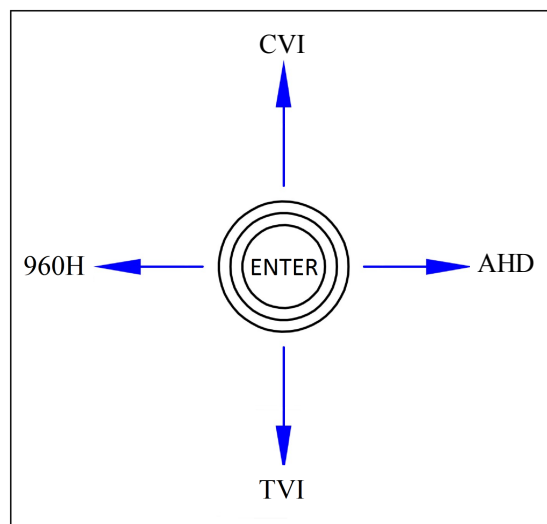
W przypadku stwierdzenia braku obrazu po podłączeniu kamery, lub zaniku obrazu na skutek zmian w menu, należy spróbować przywrócić ustawienia fabryczne (poniższa procedura ma zastosowanie także, gdy menu kamery jest niewidoczne):

1. Wyłączyć zasilanie i włączyć ponownie.

2. Jeśli obraz nie pojawił się, należy wykonać następującą sekwencję naciśnień joysticka: nacisnąć ENTER, GÓRA (UP), PRAWO, nacisnąć ENTER. Prawidłowe wykonanie tych czynności przywraca ustawienia fabryczne (AHD 1000p, PAL).

UWAGA:

Kamera posiada cztery tryby pracy: AHD, CVI, TVI oraz analog 960H. Aby włączyć poszczególne tryby należy przytrzymać przycisk pilota w wybranej pozycji, przez co najmniej 5 sekund.

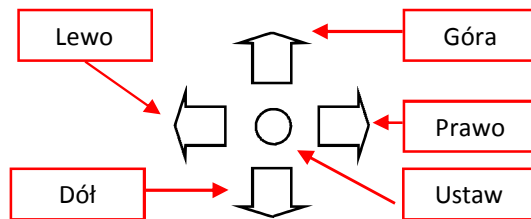


USTAWIENIA

5. USTAWIENIA

Kamera NVAHD-2DN5100MC-3 posiada menu ekranowe wyświetlane na tle obrazu. Podczas normalnej pracy kamery na obrazie mogą być wyświetlane informacje statusowe.

Jak wspomniano wcześniej do nawigowania po menu ekranowym i dokonywania zmian służy joystick umieszczony na tylnym panelu.



W celu wejścia do menu należy nacisnąć joystick, co oznacza dla urządzenia wykonanie polecenia **SET**. W celu wyboru poszczególnych podmenu należy wybrać przyciski **GÓRA**, **DÓŁ**. Jeżeli przy podmenu znajduje się symbol 8 oznacza to możliwość wejścia do jego ustawień poprzez naciśnięcie przycisku **SET**. W celu zmiany parametrów wybranych pozycji należy wybrać przyciski **LEWO**, **PRAWO**. W celu opuszczenia menu głównego należy wybrać pozycję **EXIT** i wybrać **SET**. W celu wyjścia z podmenu należy wybrać pozycję **RETURN** i wykonać **SET**. Wybranie (poprzez ruch dżojstikiem lewo/prawo) opcji **END** w pozycji **RETURN** zamknie menu i wyjdzie do głównego widoku z kamery.

5.1. Menu główne

UWAGA: o ile nie zaznaczono inaczej wygląd i opcje menu są opisane dla domyślnego trybu AHD
Aby wejść do menu kamery należy przycisnąć joystick (polecenie ENTER). Na ekranie zostanie wyświetlone poniższe menu główne:

MAIN MENU	
1. LENS	MANUAL
2. EXPOSURE	↵
3. BACKLIGHT	OFF
4. WHITE BAL	ATW
5. DAY&NIGHT	EXT ↵
6. NR	↵
7. SPECIAL	↵
8. ADJUST	↵
9. EXIT	SAVE&END ↵

5.1.1 Podmenu LENS (ustawienia obiektywu)

Podmenu pozwala na wybór typu obiektywu współpracującego z kamerą:

DC LENS MODE	
1. MODE	INDOOR
2. IRIS SPEED	8
3. RETURN	RET ↵

MANUAL - obiektyw z przysłoną ręczną lub stałą.

DC - automatyczny tryb pracy przysłony (sterowanie sygnałem stałoprądowym) - otwiera kolejne podmenu.

MODE - wybiera tryb pracy wewnątrz (**INDOOR**) lub na zewnątrz (**OUTDOOR**) pomieszczeń

IRIS SPEED ustawia prędkość przysłony (od 0 do 15).

Tryb **OUTDOOR** otwiera kolejne podmenu, gdzie można ustawić minimalną i maksymalną wartość przysłony.

5.1.2 Podmenu EXPOSURE (ekspozycja)

Podmenu zawiera ustawienia ekspozycji i migawki.

EXPOSURE	
1. SHUTTER	AUTO
2. AGC	7
3. SENS-UP	AUTO ↵
4. BRIGHTNESS	56
5. D-WDR	OFF
6. DEFOG	OFF
7. RETURNL	RET ↵

USTAWIENIA

SHUTTER - wybór trybu pracy migawki. Pozwala na wybranie automatycznego trybu pracy (**AUTO**), trybu ręcznego z regulacją migawki w zakresie 1/25~1/50000 s i możliwością włączenia funkcji DSS w zakresie od 2x do 30x, oraz trybu redukcji migotania w warunkach pulsującego oświetlenia (**FLK**).

AGC - funkcja automatycznej regulacji wzmocnienia. Pozwala na regulację wzmocnienia w zakresie od 0 do 15.

SENSUP - (wydłużona migawka) pozwala na wybranie mnożnika czasu otwarcia migawki (1/50-1/100000s), w zakresie od x2 do x30 (otwiera się kolejne podmenu).

BRIGHTNESS - zmienia poziom odniesienia sterowania przysłoną - „jasność” (od 1 do 100).

D-WDR - pozwala na włączenie i zmianę poziomu czułości funkcji szerokiego zakresu dynamiki. Po wybraniu funkcji dostępne jest podmenu regulacji czułości w zakresie od 0 do 8.

DEFOG - pozwala na włączenie funkcji korekcji obrazu zakłóconego wpływem mgły, deszczu itp. Otwiera kolejne podmenu umożliwiające ustawienie strefy działania funkcji i stopnia redukcji zakłóceń.

5.1.3 Podmenu BACKLIGHT (ekspozycja)

Funkcje kompensacji jasnego tła pozwalają uwypuklić obiekt znajdujący się na pierwszym planie w obrazie przy silnie oświetlonym tle (**BLC**).

BLC	
1. LEVEL	MIDDLE
2. AREA	↙
3. DEFAULT	↙
4. RETURN	RET ↙

BLC - funkcja kompensacji jasnego tła pozwalająca uwypuklić obiekt znajdujący się na pierwszym planie w obrazie przy silnie oświetlonym tle. Po wybraniu tej opcji dostępne jest poniższe podmenu:

W tym podmenu mamy możliwość ustawienia obszaru działania funkcji **BLC** oraz poziomu kompensacji.

5.1.4 Podmenu WHITE BAL (balans bieli)

Funkcja balansu bieli pozwala na właściwą interpretację kolorów dla światła o różnej temperaturze barwowej.

ATW - automatyczne ustawienie poziomu bieli z ciągłym śledzeniem temperatury barwowej.

AWC→SET - adaptacyjne ustawienia balansu bieli. W celu uzyskania optymalnych ustawień balansu bieli należy skierować kamerę na białą kartkę papieru i nacisnąć przycisk **SET**. W przypadku zmiany parametrów oświetlenia (zmiana świetlówek na światła żarowe, dziennego na sztuczne itp.) procedurę należy powtórzyć.

AWB - automatyczne ustawienie poziomu bieli

MANUAL - tryb ustawień ręcznych. W przypadku nieprawidłowego odwzorowania kolorów dla trybów **ATW**, **AWC** można ręcznie ustawić poziom składowych kolorów: czerwonej (**RED**) i niebieskiej (**BLUE**). Zakres regulacji poszczególnych składowych wynosi od 0 do 100 i jest obrazowany za pomocą suwaków. Zmiany składowych widoczne są w obrazie na bieżąco. Suwaki zmiany składowych są aktywne jedynie w trybie ręcznym funkcji balansu bieli.

5.1.5 Podmenu D&N (Dzień/Noc)

Pozwala na dokonanie ustawień dotyczących funkcji dzień/noc. Możliwe ustawienia to: **AUTO**, **EXT**, **COLOR**, **B/W**.

AUTO - kamera automatycznie przechodzi z trybu kolorowego w tryb czarno-biały i odwrotnie wraz ze zmieniającymi się warunkami oświetleniowymi. Dla tej opcji po naciśnięciu przycisku **ENTER** dostępne jest poniższe podmenu:

D&N AUTO	
1. D--N (CDS)	18
2. D--N (DELAY)	58
3. N--D (CDS)	6
4. N--D (DELAY)	45
5. RETURN	RET ↵

D--N (CDS) i N--D (CDS) - wybór progu przełączania się kamery pomiędzy trybem pracy kolorowym a czarno-białym oraz między trybem czarno-białym a kolorowym (odpowiednio 6~255 i 0~249)

D--N (DELAY) i N--D (DELAY) - wybór prędkości przełączania się kamery pomiędzy trybem pracy kolorowym a czarno-białym oraz między czarno-białym a kolorowym (0~60s)

B/W - kamera na stałe pracuje w trybie czarno-białym. Dla tej opcji po naciśnięciu przycisku **SET** dostępne jest poniższe podmenu:

USTAWIENIA

B/W	
1. BURST	OFF
2. IR SMART	OFF
3. IR PWM	0
4. RETURN	RET ↵

BURST - włączenie lub wyłączenie sygnału BURST (wskaźnik obecności kolorów).

IR SMART - funkcja zapewniająca zrównoważony poziom jasności obrazu przy pracy oświetlacza IR. Po włączeniu funkcji jest pojawia się kolejne podmenu umożliwiające ustawienie obszaru działania funkcji oraz jej poziomu czułości.

IR PWM - funkcja nieaktywna

pl

5.1.6 Podmenu NR (redukcja szumów)

Pozwala na dokonywanie ustawień funkcji cyfrowej redukcji szumów. Po wybraniu pozycji i naciśnięciu przycisku **ENTER** pojawi się poniższe podmenu:

NR	
1. 2DNR	MIDDLE
2. 3DNR	MIDDLE
3. RETURN	RET ↵

2DNR - umożliwia ustawienie poziomu redukcji szumów dla statycznych partii obrazu (dostępne ustawienia: **OFF, LOW, MIDDLE, HIGH**)

3DNR - umożliwia ustawienie poziomu redukcji szumów dla zmiennych (dynamicznych) partii obrazu (dostępne ustawienia: **OFF, LOW, MIDDLE, HIGH**)

UWAGA:

W trybie pracy analog 960H dostępna jest tylko redukcja szumów 2DNR.

5.1.7 Podmenu SPECIAL (funkcje dodatkowe)

Pozwala na ustawienia dodatkowych funkcji kamery. Po wybraniu pozycji i naciśnięciu przycisku **ENTER** pojawi się poniższe podmenu:

SPECIAL	
1. CAM TITLE	ON ↵
2. D-EFFECT	↵
3. MOTION	OFF
4. PRIVACY	OFF
5. LANGUAGE	ENG ↵
6. DEFECT	↵
7. RS485	↵
8. RETURN	RET ↵

CAM TITLE - Po wybraniu pozycji **ON** i naciśnięciu przycisku **ENTER** mamy możliwość ustawienia ciągu znaków wyświetlanych na ekranie jako np. nazwa danej kamery. Możliwe jest wprowadzenie do 15 znaków. Znaki wybiera się nawigując po wirtualnej klawiaturze. Główną część zajmują znaki alfanumeryczne, które można użyć w nazwie. Zatwierdzenie wybranego znaku odbywa się poprzez naciśnięcie przycisku **ENTER**. Aktualnie edytowana nazwa wyświetlana jest na samym dole okna. Jeden wiersz powyżej zgrupowane są ikony funkcyjne. Aby uruchomić działanie poszczególnych funkcji należy, tak jak normalne znaki, wybrać kursorami i zatwierdzić przyciskiem **ENTER**. Działanie poszczególnych funkcji jest następujące:

← - przemieszczanie kursora w lewo po poszczególnych znakach nazwy.

→ - przemieszczanie kursora w prawo po poszczególnych znakach nazwy

POS - ustawienie przy pomocy joysticka pozycji wyświetlania znaków.

CLR - wykasowanie całej wprowadzonej dotychczas nazwy.

END - wyjście z trybu edycji nazwy.

D-EFFECT - podmenu zawierające dodatkowe cyfrowe funkcje obrazu:

FREEZE - "zamrożenie" obrazu na klatce wyświetlanej w chwili wybrania opcji.

MIRROR - zmienia sposób wyświetlania obrazu: odbicie lustrzane (**MIRROR**), obrót o 180° (**ROTATE**), przerzucenie w pionie (**V-FLIP**).

NEG. IMAGE - włączenie (**ON**), wyłączenie (**OFF**) negatywowego wyświetlania obrazu.

MOTION		
1.	SELECT	AREA 1
2.	DISPLAY	OFF
3.	SENSITIVITY 64
4.	COLOR	GREEN
5.	TRANS	1.00
6.	ALARM	↓
7.	DEFAULT	↓
8.	RETURN	RET ↓

MOTION - podmenu pozwala na włączenie wbudowanej w kamerze funkcji detekcji ruchu. Detekcja może być sprawdzana w czterech niezależnych strefach o zdefiniowanej przez użytkownika powierzchni i położeniu. Aktywacja funkcji detekcji ruchu powoduje wyświetlenie informacji „**MOTION DETECTED**” na tle obrazu z kamery, oraz zaznaczenie strefy w której nastąpiła detekcja.

Po wybraniu pozycji **ON** i naciśnięciu przycisku **ENTER** pojawi się poniższe podmenu pozwalające dopasować ustawienia dotyczące funkcji detekcji ruchu:

SELECT - umożliwia wybór ustawianej aktualnie strefy detekcji ruchu

DISPLAY - umożliwia wyłączenie i włączenie stref, oraz ustawienie ich rozmiaru i położenia

SENSITIVITY - ustawianie czułości detekcji dla ustawianej aktualnie strefy

COLOR - ustawia kolor wizualizacji ruchu w ustawianej strefie

TRANS - umożliwia ustawienie stopnia przezroczystości wizualizacji

ALARM - wyświetla kolejne podmenu w którym można ustawić sposób wizualizacji ruchu (**OFF**, **BLOCK**, **OUTLINE**, **ALL**), można włączyć bądź wyłączyć wyświetlanie informacji „**MOTION DETECTED**” i ustawić czas jej wyświetlania (1 ~ 15 s). Opcje **ALARM OUT** i **ALARM SIG** są nieaktywne.

USTAWIENIA

PRIVACY - pozwala na włączenie stref prywatności, które maskują część sceny. Po wybraniu pozycji **ON** i naciśnięciu przycisku **ENTER** pojawi się podmenu umożliwiające ustawienie do czterech stref:

PRIVACY		
1.	SELECT	AREA 1
2.	DISPLAY	OFF
3.	COLOR	WHITE
4.	TRANS	1.00
5.	DEFAULT	↓
6.	RETURN	RET ↓

SELECT - umożliwia wybór strefy do ustawienia

DISPLAY - ta opcja pozwala na wyłączenie danej strefy (**OFF**), i na włączenie - z ustawieniem sposobu maskowania: za pomocą nałożonego koloru, odwrócenia kolorów bądź mozaikowania (**COLOR, INV, MOSAIC**). Wciśnięcie przycisku **ENTER** po wybraniu opcji **COLOR, INV** lub **MOSAIC** spowoduje otwarcie nowego podmenu umożliwiającego ustawienie położenia i rozmiarów strefy.

COLOR - ustawia kolor maskowania (o ile wybrana została wcześniej opcja **COLOR**).

TRANS - umożliwia ustawienie stopnia przezroczystości maskowania (o ile wybrana została wcześniej opcja **COLOR**).

DEFAULT - przywraca ustawienia domyślne

LANGUAGE - pozwala na wybranie języka OSD spośród: angielskiego, polskiego, rosyjskiego i innych.

DEFECT - otwiera podmenu pozwalające na wykonanie korekcji nieaktywnych (uszkodzonych) pikseli:

DEFECT		
1.	LIVE DPC	ON ↓
2.	WHITE DPC	ON ↓
3.	BLACK DPC	ON ↓
4.	RETURN	RET ↓

LIVE DPC - ustawianie parametrów funkcji korygującej wadliwe piksele w czasie rzeczywistym. Po wybraniu **ON** i wciśnięciu przycisku **ENTER** otwiera się podmenu umożliwiające ustawienie poziomu wzmocnienia i poziomu korekcji.

WHITE DPC - umożliwia dokonanie korekcji (maskowania) tzw. „gorących pikseli” (świejących na biało). Po wybraniu **ON** i wciśnięciu przycisku **ENTER** otwiera się podmenu w którym określamy rozmiar i położenie strefy w której będzie dokonana korekcja (pozycja **POS/SIZE**), następnie określamy poziom korekcji i wzmocnienia (pozycje **LEVEL** i **AGC**) i ustawienie opcji **SENS-UP** (o ile kamera z niej korzysta - pozycja **SENS-UP**). Następnie w pozycji **START** naciskamy przycisk **ENTER**, zasłaniamy szczelnie obiektyw i naciskamy ponownie **ENTER**. Po dokonaniu korekcji kamera powróci do menu **WHITE DPC**. W pozycji **DPC VIEW** można sprawdzić efekt korekcji i w razie niezadowolających rezultatów powtórzyć operację z innymi ustawieniami.

BLACK DPC - umożliwia dokonanie korekcji (maskowania) tzw. „martwych pikseli”. Po wybraniu **ON** i wciśnięciu przycisku **ENTER** otwiera się podmenu w którym określamy rozmiar i położenie strefy w której będzie dokonana korekcja (pozycja **POS/SIZE**), następnie określamy poziom korekcji (pozycja **LEVEL**). Następnie w pozycji **START** naciskamy przycisk **ENTER** i czekamy na zakończenie operacji. W pozycji **DPC VIEW** można sprawdzić efekt korekcji i w razie niezadowolających rezultatów powtórzyć operację z innymi ustawieniami.

RS485 - opcja nieaktywna.

5.1.8 Podmenu ADJUST (regulacje)

Pozwala na wykonanie dodatkowych regulacji obrazu. Po naciśnięciu **ENTER** pojawia poniższe podmenu:

ADJUST	
1. SHARPNESS	AUTO ▾
2. MONITOR	LCD ▾
3. LSC	ON
4. VIDEO OUT	PAL
5. RETURN	RET ▾

SHARPNESS - umożliwia wyłączenie (**OFF**) i włączenie (**AUTO**) korekcji ostrości obrazu. Po wybraniu **AUTO** i naciśnięciu **ENTER** pojawia się kolejne podmenu w którym można ustawić stopień korekcji oraz zakresy wzmocnienia, dla których korekcja ma być wykonywana

MONITOR - koryguje parametry obrazu w zależności od tego, czy ma być wyświetlany na monitorze LCD, czy kineskopowym. Po wciśnięciu **ENTER** pojawia się podmenu, w którym można dokonać precyzyjnych regulacji.

LSC - włącza i wyłącza funkcję zwiększania jasności krawędzi obrazu

VIDEO OUT - przełącza system w którym pracuje kamera (PAL lub NTSC)

INFORMACJA:

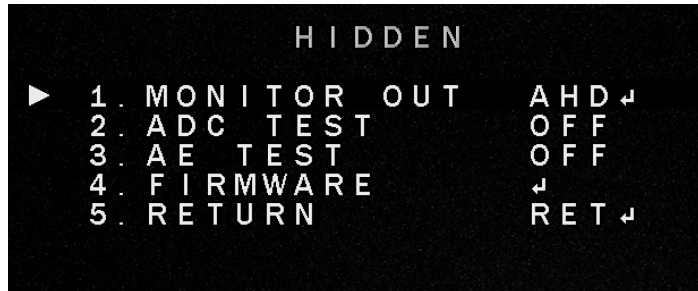
Dla trybu pracy kamery analog 960H w menu **ADJUST** pojawiają się dwie dodatkowe pozycje:
MONITOR OUT - przełącza format obrazu pomiędzy 4:3 a 16:9 dla dopasowania go do posiadanego monitora.

COMET - funkcja nieaktywna.

USTAWIENIA

5.1.9 Menu ustawień dodatkowych kamery HIDDEN

Kamera posiada menu ustawień dodatkowych, do którego uzyskujemy dostęp poprzez odpowiednią sekwencję naciśnięć dżojstika. Aby wejść do menu **HIDDEN** należy najechać na menu **EXPOSURE**, trzykrotnie kliknąć przycisk **PRAWO (RIGHT)**, a następnie **ENTER**.



MONITOR OUT - wybranie trybu pracy kamery - przełączanie między trybami **AHD**, **C V I**, **TVI**, **CVBS**.

ADC TEST - opcja która wyświetla dane z przetwornika analogowo cyfrowego do celów testowych

AE TEST - opcja która wyświetla dane z funkcji Auto Exposure do celów testowych

FIRMWARE - aktualna wersja firmweru kamery.

RETURN - powrót do poprzedniego menu.

NOVUS[®]

AAT Holding S.A., ul. Puławska 431, 02-801 Warszawa, Polska
tel.: 22 546 07 00, faks: 22 546 07 59
www.novuscctv.com

2017-05-31 MF, TF ver. 1.1