

user's manual



**NVAHD-2DN3201MV/IR-1**

**NOVUS<sup>®</sup>**

## INFORMATION

---

---

### EMC (2014/30/EC) and LVD (2014/35/EC ) Directives



Our products are manufactured to comply with the requirements of the following directives and national regulations implementing the directives:

- Electromagnetic compatibility EMC 2014/30/EC.
- Low voltage LVD 2014/35/EC with further amendment. The Directive applies to electrical equipment designed for use with a voltage rating of between 50VAC and 1000VAC as well as 75VDC and 1500VDC.

### WEEE Directive 2002/96/EC



#### Information on Disposal for Users of Waste Electrical and Electronic Equipment

This appliance is marked according to the European Directive on Waste Electrical and Electronic Equipment (2012/19/UE) and further amendments. By ensuring this product is disposed of correctly, you will help to prevent potential negative consequences for the environment and human health, which could otherwise be caused by inappropriate waste handling of this product.

The symbol on the product, or the documents accompanying the product, indicates that this appliance may not be treated as household waste. It shall be handed over to the applicable collection point for used up electrical and electronic equipment for recycling purpose. For more information about recycling of this product, please contact your local authorities, your household waste disposal service or the shop where you purchased the product.

### RoHS Directive 2011/65/EC



Out of concern for human health protection and friendly environment, we assure that our products falling under RoHS Directive regulations, regarding the restriction of the use of hazardous substances in electrical and electronic equipment, have been designed and manufactured in compliance with the above mentioned regulations. Simultaneously, we claim that our products have been tested and do not contain hazardous substances whose exceeding limits could have negative impact on human health or natural environment.

### Information

The device, as a part of professional CCTV system used for surveillance and control, is not designed for self installation in households by individuals without technical knowledge.

The manufacturer is not responsible for defects and damages that result from improper or inconsistent with user's manual installation of the device in the system.

## SAFETY REQUIREMENTS

---

---

### **WARNING!**

THE KNOWLEDGE OF THIS MANUAL IS AN INDESPENSIBLE CONDITION OF A PROPER DEVICE OPERATION. YOU ARE KINDLY REQUESTED TO FAMILIRIZE YOURSELF WITH THE MANUAL PRIOR TO INSTALLATION AND FURTHER DEVICE OPERATION.

### **WARNING!**

USER IS NOT ALLOWED TO DISASSEMBLE THE CASING AS THERE ARE NO USER-SERVICEABLE PARTS INSIDE THIS UNIT. ONLY AUTHORIZED SERVICE PERSONNEL MAY OPEN THE UNIT

INSTALLATION AND SERVICING SHOULD ONLY BE DONE BY QUALIFIED SERVICE PERSONNEL AND SHOULD CONFORM TO ALL LOCAL REGULATIONS

### **WARNING!**

PRIOR TO UNDERTAKING ANY ACTION THAT IS NOT DESCRIBED FOR THE GIVEN PRODUCT IN USER'S MANUAL AND OTHER DOCUMENTS DELIVERED WITH THE PRODUCT, OR IF IT DOES NOT ARISE FROM THE USUAL APPLICATION OF THE PRODUCT, MANUFACTURER MUST BE CONTACTED UNDER THE RIGOR OF EXCLUDING THE MANUFACTURER'S RESPONSIBILITY FOR THE RESULTS OF SUCH AN ACTION.

### **IMPORTANT SAFEGUARDS AND WARNINGS**

1. Prior to undertaking any action please consult the following manual and read all the safety and operating instructions before starting the device.
2. Please keep this manual for the lifespan of the device in case referring to the contents of this manual is necessary;
3. All the safety precautions referred to in this manual should be strictly followed, as they have a direct influence on user's safety and durability and reliability of the device;
4. All actions conducted by the servicemen and users must be accomplished in accordance with the user's manual;
5. The device should be disconnected from power sources during maintenance procedures;
6. Usage of additional devices and components neither provided nor recommended by the producer is forbidden;
7. Mounting the device in places where proper ventilation cannot be provided (e. g. closed lockers etc.) is not recommended since it may lead to heat build-up and damaging the device itself as a consequence;
8. Mounting the camera on unstable surface or using not recommended mounts is forbidden. Improperly mounted camera may cause a fatal accident or may be seriously damaged itself. The camera must be mounted by qualified personnel with proper authorization, in accordance with this user's manual.
9. Device should be supplied only from a power sources whose parameters are in accordance with those specified by the producer in the camera technical datasheet. Therefore, it is forbidden to supply the camera from a power sources with unknown parameters, unstable or not meeting producer's requirements;
10. Signal cables (conducting TV or / and telemetric signal) should be placed in a way excluding the possibility of damaging them by accident. Special attention must be paid to cables getting from the camera and connecting the power supply;
11. To avoid equipment damage, whole TV circuit should be equipped with properly made discharge-, overload- and lightning protection devices. Usage of separating transformers is advised;
12. Electric installation supplying the device should be designed to meet the specifications given by the producer in such a way that overloading is impossible;
13. User cannot repair or upgrade the equipment himself. All maintenance actions and repairs should be conducted only by qualified service personnel;

## MAIN CHARACTERISTIC

---

---

14. Unplug the camera from the power source immediately and contact the proper maintenance department when the following occurs:
  - Damages to the power cord or to the plug itself;
  - Liquids getting inside the device or exposure to strong mechanical shock;
  - Device behaves in a way not described in the manual and all adjustments approved by the manufacturer and possible to apply by user himself, seem not to have any effect;
  - Camera is damaged;
  - Atypical behaviour of the camera components may be seen (heard).
15. In necessity of repairs attention to using only original replacement parts (with their parameters in accordance with those specified by the producer) should be paid. Non-licensed service and non-genuine replacement parts may cause fire or electrocution;
16. After maintenance activities tests should be run to ensure proper operation of all the functional components of the device.

**Novus AHD cameras are dedicated to work with Novus AHD DVRs. Using only Novus products guarantees the highest image quality. Connecting Novus AHD cameras to DVRs from other manufacturers may decrease video quality.**

### 1. MAIN CHARACTERISTIC

- Mechanical IR cut filter
- IR operation capability
- Horizontal resolution: 2MPX,
- Min. illumination: from 0.1 lx/F=2.0 (0lx with IR on)
- Lens type: standard, f=3.6 mm/F2.0
- Built-in IR illuminator: 1 IR LED
- Light sensor
- 2DNR, 3DNR digital noise reduction
- HLC - High Light Compensation
- BLC - allows to enhance visibility of the objects
- DSS - Digital Slow Shutter
- F-DNR - Defog Function
- WDR - Wide Dynamic Range
- The ability to work in AHD 1080p, TVI 1080p, CVI 1080p, analog 960H
- Other functions:
  - 180° image rotation, mirror effect, negative, picture-freeze
  - defective pixels correction
  - adjusting the brightness
  - working in PAL and NTSC video mode
- Menu available by DVRs OSD
- Degree of protection IP66
- Power supply: 12VDC

#### **Attention!**

**Technical changes reserved without prior notice and printing errors possible.**

## SPECIFICATION

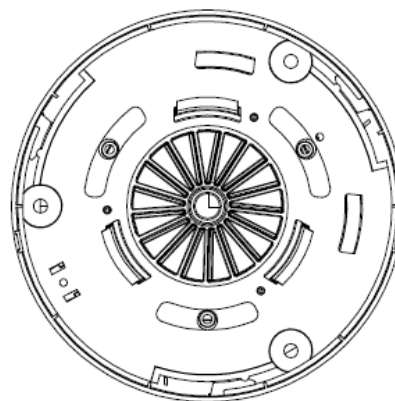
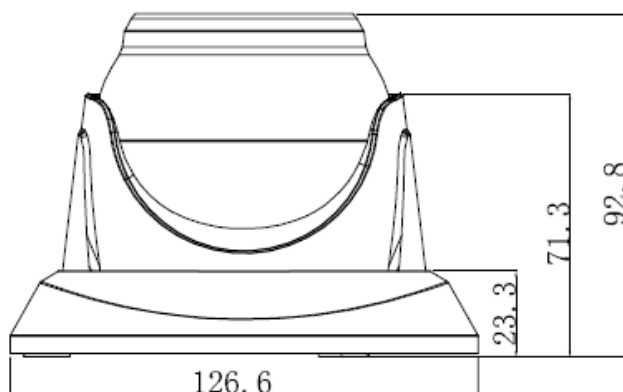
## 2. SPECIFICATION

<b>Image</b>	
Image Sensor	CMOS sensor 1/2.9" SONY
Operating mode	AHD 1080p, TVI 1080p, CVI 1080p, analog 960H
Number of Effective Pixels	1920 (H) x 1080 (V)
Resolution	1080p
Min. Illumination	0.3 lx/F2.0 - color mode, 0.1 lx/F2.0 - B/W mode, 0 lx (IR on) - B/W mode
S/N Ratio	> 50 dB (AGC off)
Electronic Shutter	auto/manual: 1/25 s ~ 1/50000 s
Digital Slow Shutter (DSS)	up to 30x
High Light Compensation (HLC)	yes
Wide Dynamic Range (WDR)	yes
Digital Noise Reduction (DNR)	2D, 3D
Defog Function (F-DNR)	yes
<b>Lens</b>	
Lens Type	standard, f=3.6 mm/F2.0
<b>Day/Night</b>	
Switching Type	mechanical IR cut filter
Switching Mode	auto, manual
Switching Level Adjustment	yes
Switching Delay	0 ~ 60 s
Visible Light Sensor	yes
<b>Other functions</b>	
System	PAL, NTSC
OSD	languages: Polish, English, Russian, others
Privacy Zones	4
Motion Detection	yes
Image Processing	Defective Pixel Correction (DPC), 180° image rotation, mirror effect, negative, picture-freeze
Remote control	Yes (COAX protocol)
<b>IR LED</b>	
LED Number	1
Range	30 m
<b>Interfaces</b>	
Video Output	BNC, 1.0 Vp-p, 75 Ohm
<b>Installation parameters</b>	
Dimensions (mm)	126 (Φ) x 93 (H)
Weight	0.5 kg
Degree of Protection	IP 66 (details in the user's manual)
Enclosure	vandal proof aluminium, white
Power Supply	12 VDC
Power Consumption	1 W, 4 W (IR on)
Operating Temperature	-20°C ~ 55°C

eng

## INSTALLATION

### 2.1. Dimensions:



### 2.2. Package contents

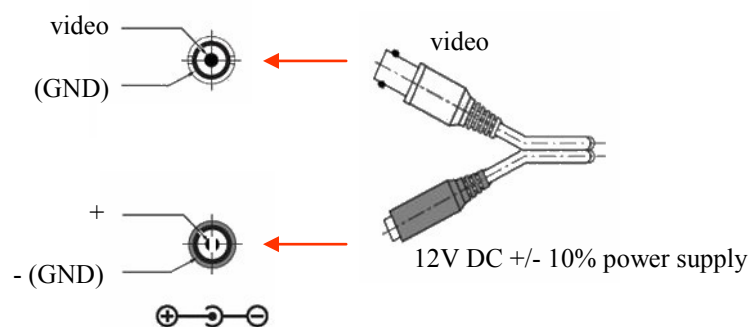
- NVAHD-2DN3201MV/IR-1 camera
- Short version of user's manual
- Accessories bag

If any of the listed equipment has been damaged during transport or if the package is incomplete, the contents of package should be packed back in to the original box. Please contact your local NOVUS distributor for further assistance.

## 3. INSTALLATION

### 3.1. Power supply connection

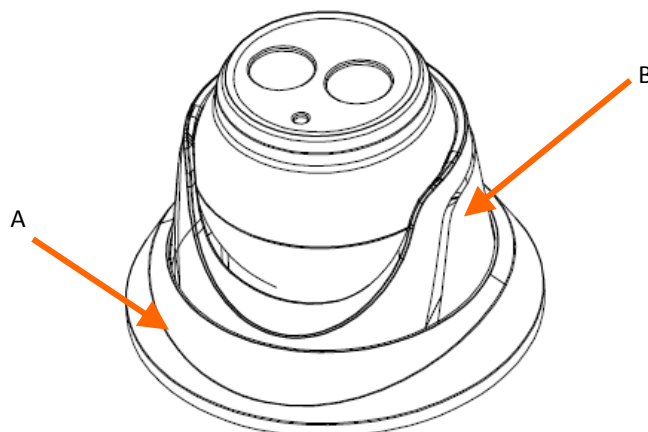
**WARNING:** Device should be supplied only from a power sources whose parameters are in accordance with those specified by producer in the camera's technical datasheet. Therefore, it is forbidden to supply the camera from power sources whose parameters are unknown, unstable or not meeting the producer's requirements.



### 3.2. Camera mounting

To mount a camera please follow the instructions below:

- Remove the decorative ring (A) by turning it counter-clockwise
- Loosen the locking screw and remove the lock, remove the camera cover (B), remove the camera from the base
- Put the bracket to the wall in a desired mounting place (with cable hole). Taking the bracket's base screw holes as a pattern, mark future drilling holes for screws.
- Drill holes in accordance with previously done markings and base hole placement.
- Mount the camera base using the supplied plugs and screws.
- Connect the camera cables, put camera on the base, attach the cover (B) and pre-tighten the lock.
- Adjust camera position.
- Tighten to the stop locking screw and install the decorative ring (A) by turning it clockwise.



#### WARNING!

Please note that the wall or ceiling must have enough strength to support the Camera.

#### WARNING!

In order to obtain declared degree of protection please seal the camera bracket to prevent water getting inside. Furthermore, when installing the bracket on rough/uneven surfaces, please additionally seal the junction with appropriate sealing mass. Please pay special attention to any mounting holes and if they are a loop-through ones, seal them too.

#### WARNING!

The declared degree of protection of the camera relates to its housing and does not take into account the possibility of moisture infiltration into the interior of the camera by connecting cables. Connection cables protection through i.e. sealing up is the responsibility of the camera installer. The manufacturer is not liable for any damages to the camera caused as a result of failing in performing that activity by installer, which also means that camera damaged in that way is not subject to warranty repairs.

## SETTINGS

### 4. SETTINGS

#### WARNING:





Camera configuration is presented with Novus DVR.

The camera has an OSD menu displayed in the foreground of image. During normal operation status information can be displayed on the image. To navigate menu and make changes please use **PTZ** option in DVR menu. The protocol used to control camera functions is **COAX**. To navigate in camera menu click in *Devices* section in DVR menu in **PTZ** options, select channel of camera, select **COAX** protocol for this channel and save changes.


To enter the camera menu, select the appropriate channel in DVR and turn on **PTZ** option (by clicking  button), than in PTZ window click “Menu” , or **IRIS+**, or **FOCUS-** buttons,.

eng

To navigate menu please use PTZ console:

- |   |                   |                  |
|---|-------------------|------------------|
|  /    | - up/down         | - moving in menu |
|  /  | - right/left      | - change options |
| - IRIS+   | } - ENTER command |                  |
| - FOCUS-  |                   |                  |
| - MENU  |                   |                  |

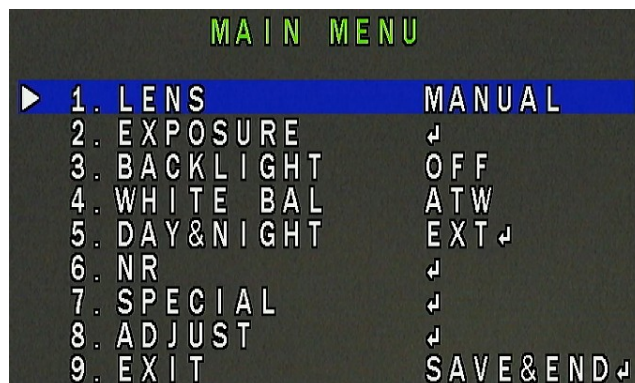


Pressing **IRIS+**, or **FOCUS-**, or “**Menu**” buttons mean **ENTER** command for device. To choose submenu, select the **UP**, **DOWN** keys. If the sub-menu contains the symbol  that indicates the opportunity to enter to the settings by giving the **ENTER** command. To change the parameters of selected items, press **LEFT**, **RIGHT** buttons. To exit the menu and saves changes, select **SAVE&EXIT**.



#### 4.1. Main menu

After pressing “Menu” button (**ENTER** command), camera main menu is displayed as on the screen below:

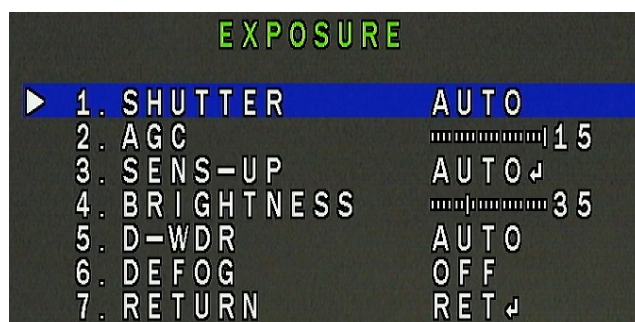


##### 4.1.1 LENS submenu

Option disabled for this camera.

##### 4.1.2 EXPOSURE submenu

This submenu contains exposure and shutter speed settings.



**SHUTTER** - shutter mode control. Allows you to choose the automatic mode (**AUTO**), the manual mode with adjustable shutter speed in the range of 1/25 ~ 1/50000s and flicker reduction (**FLK**).

**AGC** - Sets AGC gain. Higher gain make a scene brighter, but noise increases. It allows to adjust the gain in the range from 0 to 15.

**SENSUP** - Digital Slow Shutter function - helps to obtain better, brighter images in low light by selecting the multiplier of shutter speed in the range from x2 to x30 (opens another sub-menu).

**BRIGHTNESS** - sets brightness level in the range from 1 to 100.

**D-WDR** - this function allows to enable/disable wide dynamic range function that enables to observe the scene with different illumination levels. After selecting this function, there is a submenu to adjust the level in the range from 0 to 15.

**DEFOG** - allows you to enable correction functions of image disrupted by the influence of fog, rain, etc. It opens another sub-menu that allows you to set the zone and the degree of noise reduction.

## SETTINGS

### 4.1.3 BACKLIGHT submenu

These compensation functions allow to enhance visibility of the objects located in the foreground, surrounded by strongly illuminated background (**BLC**) or for enhancing visibility of the objects located near the strong light source (**HSBLC**).

**BLC** - function allows to enhance visibility of the objects located in the foreground, surrounded by strongly illuminated background. By giving the **ENTER** command in this mode displays the following menu:



eng

Submenu presented allows to set the size and location of the area where the **BLC** function is active, furthermore it allows to set the sensitivity of the function.

**HSBLC** - high light compensation function. It allows to enhance visibility of the objects located near the strong, point light source. If a strong, point light source appears on the screen, function will mask it for effective observation of the scene itself (this function is recommended e.g. to observe car licence plates). Selecting HSBLC displays following screen:



**SELECT** - allows to select one of the four areas of HSBLC function

**DISPLAY** - enables or disables previously selected zone.

**BLACK MASK** - enables or disables masking area

**LEVEL** - adjusts intensity function between 0-100

**MODE** - (**ALL DAY/NIGHT**) determines whether the function is running all the time or only at night (recommended).

**DEFAULT** - restores default HSBLC settings

#### 4.1.4 WHITE BAL submenu

This feature allows to set appropriate color settings using following options:

**ATW** - auto tracking white balance based on color temperature.

**AWC→SET** - this mode enables adaptive setting of white balance. In order to obtain the optimum state under the current illumination, direct the camera at a sheet of white paper and give the **ENTER** command. When lighting parameters change (e.g. light bulbs changed to halogen lamps, daylight to artificial light etc. ), procedure mentioned above should be repeated;

**INDOOR** - this mode enables adaptive setting of white balance, set this option when camera is looking at the inside

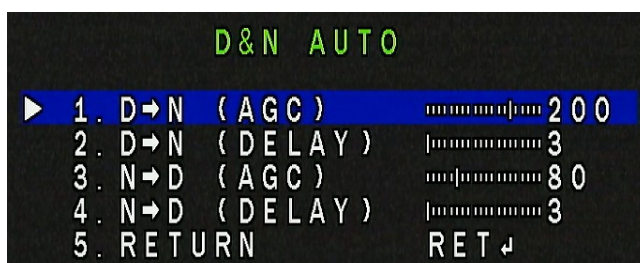
**OUTDOOR** - this mode enables adaptive setting of white balance, set this option when camera is looking at the outside

**MANUAL** - manual mode settings. In case of inappropriate color settings for **ATW**, **AWC** modes it is possible to set **RED** and **BLUE** values manually. Color values range from 0 to 100 and are represented by sliders. Any change in the color components are instantly applied to the image.

#### 4.1.5 D&N submenu

Allows to adjust day/night settings. Available settings are: **AUTO**, **EXT**, **COLOR**, **B/W**.

**AUTO** - camera switches between night (b/w) and day (color) mode automatically, depending on current illumination conditions. Settings are available at following sub-menu:



**D→N (CDS)** and **N→D (CDS)** - sets the illumination threshold that switches the camera from day to night mode and from night to day mode (respectively 6~255 and 0~249)

**D→N (DELAY)** and **N→D (DELAY)** - sets the delay between color and b/w mode switching and between b/w and color mode (0~60s)=

**B/W** - forces continuous black & white mode. Selecting displays option - **IR SMART** - function ensuring balanced brightness level of the picture during operation with an IR illuminator (which prevents overexposure of the objects located close to the camera and its illuminator).

**COLOR** - forces continuous day (color) mode.

**EXT** - option disabled

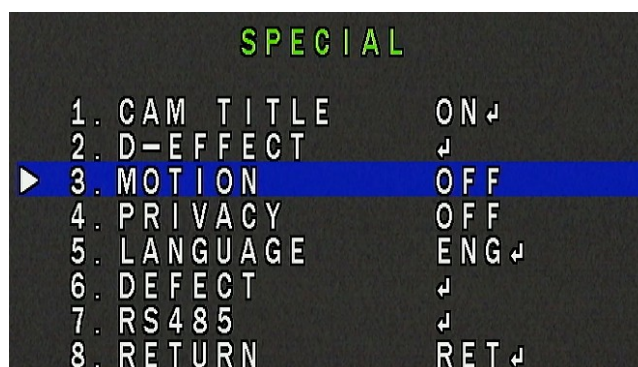
## SETTINGS

### 4.1.6 NR submenu

Allows to make settings for digital noise reduction function. Giving the **ENTER** command in this mode camera displays the submenu which allows to set the level of noise reduction for static parts of the image - **2DNR** and for the variables (dynamic) parts of the image - **3DNR**. Available settings: **OFF, LOW, MIDDLE, HIGH**.

### 4.1.7 SPECIAL submenu

Allows to set additional camera features. Giving the **ENTER** command in this mode displays the following menu:



**CAM TITLE** - allows to enter a string of characters that will be displayed on the screen, e.g. as camera title. Screen contains mainly alphanumerical characters, which may be used in camera's title. Select desired character and give **ENTER** command. Currently edited title is visible at the bottom of the screen. Line above it contains buttons for editing the title. To enable particular functions, please highlight them as normal characters and confirm by giving the **ENTER** command. Button functions are described below:

← - moves character highlight cursor left.

→ - moves character highlight cursor right.

**POS** - adjusts the position of entered characters.

**CLR** - erases the whole title.

**END** - exits title editing menu.

**D-EFFECT** - submenu allows to set additional digital functions:

**FREEZE** - holds the picture currently displayed.

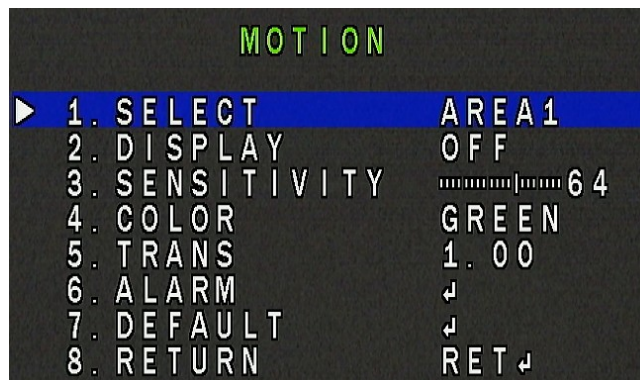
**MIRROR** - allows to change viewpoint as **MIRROR, ROTATE, V-FLIP**.

**NEG. IMAGE** - enables/disables displaying negative video image.

**MOTION** - allows (provided that **ON** option is selected) to turn a built-in motion detection feature on or off. Motion detection may simultaneously be conducted in four independent zones (with their size and location selectable by user). Detection of motion displays an „**MOTION DETECTED**” information superimposed on the screen

## SETTINGS

After selecting **ON** and giving **ENTER** command adjust motion detection settings is displayed, as depicted below:



**SELECT** - selects the number of the area for further settings.

**DISPLAY** - turns on/off particular area. Also allows to set the position and size of the area.

**SENSITIVITY** - refers to sensitivity

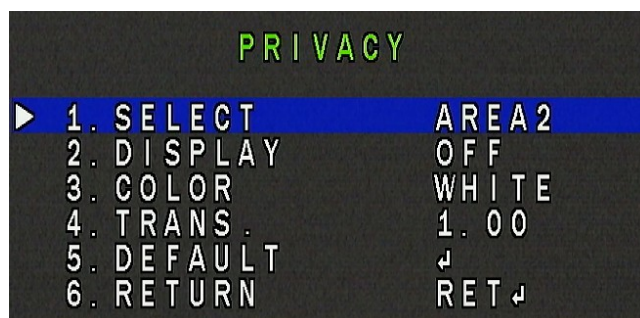
**COLOR** - sets the color visualization of motion in a particular area

**TRANS** - allows to set the transparency level of visualization

**ALARM** - displays submenu where user can set motion visualization mode (**OFF**, **BLOCK**, **OUTLINE**, **ALL**), enable or disable displaying „**MOTION DETECTED**” information and set its display time (1 ~ 15 s). Options **ALARM OUT** and **ALARM SIG** are inactive.

**DEFAULT** - restores default settings.

**PRIVACY** - allows to enable (by selecting **ON**) privacy zones. Part of the screen may be masked using four rectangular zones. Selecting **ON** and giving **ENTER** command displays a sub-menu, containing four masks positions.



**SELECT** - selects the number of the area for further settings.

**DISPLAY** - turns on/off particular area. Available masking methods: with overlaid color, color reversal or tessellation (**COLOR**, **INV**, **MOSAIC**). Giving **ENTER** command after selecting **COLOR**, **INV** or **MOSAIC** option will open a new submenu which allows to set the position and size of the zone.

**COLOR** - sets the color masking (available only if **COLOR** option was chosen).

**TRANS** - allows you to set the degree of transparency mask (available only if **COLOR** option was chosen).

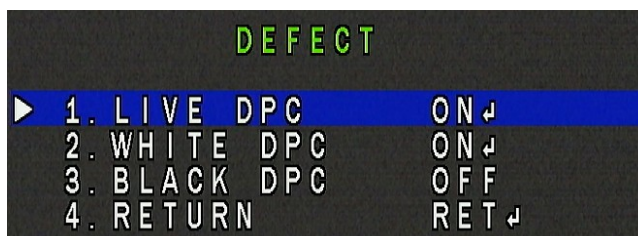
**DEFAULT** - restores default settings.

## SETTINGS

---

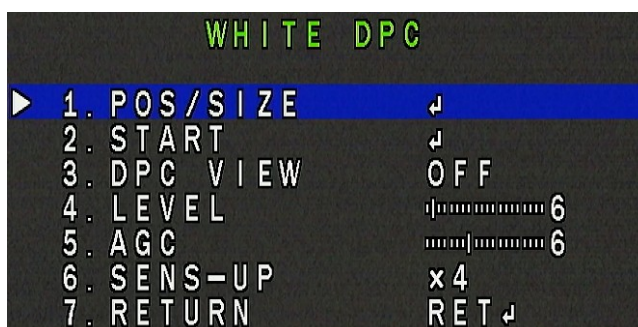
**LANGUAGE** - switches between OSD languages: Polish, English, Russian and others.

**DEFECT** - allows to adjust parameters used in Dead Pixel Correction function:



**LIVE DPC** - sets parameters of the defective pixel correction function in real time. Selecting **ON** and giving **ENTER** command opens a submenu for setting the gain level and the level of correction.

**WHITE DPC** - allows to a correct "hot pixels". Selecting **ON** and giving **ENTER** command opens a submenu:



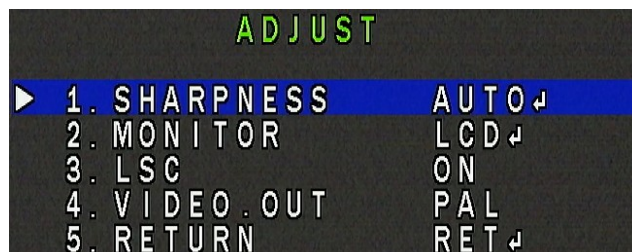
Here you can specify the size and location of the zone in which the correction will be made (position **POS/SIZE**), then define the level of correction and amplification (**LEVEL** and **AGC** positions) and set **SENS-UP** option (if camera uses **SENS-UP** position). Then select **START** position and give **ENTER** command, cover the lens tightly and give **ENTER** command again. After correcting process the camera returns to the **DPC WHITE** menu. In the **DPC VIEW** you can check the correction effect and, if needed repeat the operation with different settings.

**BLACK DPC** - allows to correct (mask) dead pixels. Selecting **ON** and giving **ENTER** command opens a submenu which define the size and location of the zone in which the correction is made (position **POS/SIZE**), then define the compensation level (position **LEVEL**). Then select **START** position and give **ENTER** command and wait for the end of the operation. In the **DPC VIEW** check the correction effect and, if needed repeat the operation with different settings.

**RS485** - option disabled

#### 4.1.8 ADJUST submenu

It allows to perform additional image adjustment. Giving the **ENTER** command in this mode displays the following menu:



**SHARPNESS** - allows to disable (**OFF**) and enable (**AUTO**) sharpness correction function. After selecting **AUTO** and giving the **ENTER** command, next submenu is displayed, where it is possible to set the degree of correction and gain ranges for compensation

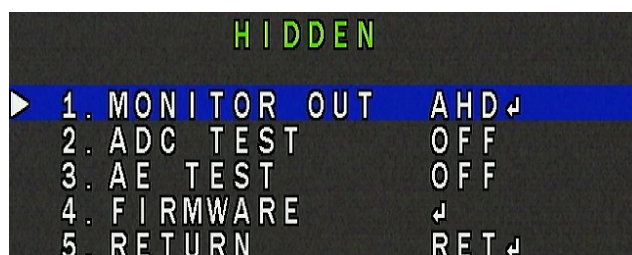
**MONITOR** - corrects the image parameters depending on chosen monitor (LCD monitor or CRT monitor). After giving the **ENTER** command, the submenu is displayed where fine adjustments can be made.

**LSC** - enables and disables the vignetting correction function.

**VIDEO OUT** - chooses a system in which the camera works (PAL or NTSC).

#### 4.1.9 Camera Setup Menu HIDDEN

Camera has another hidden menu to which you enter by hovering over the **EXPOSURE** menu three times clicking **RIGHT**, and then giving **ENTER** command.



**MONITOR OUT** - selecting modes of camera. Available settings: AHD, CHD, THD and CVBS

**ADC TEST** - option that displays data from ADC converter for testing purposes.

**FIRMWARE** - the current version of the camera firmware.

**RETURN** - return to the previous menu.

**NOVUS<sup>®</sup>**

**AAT Holding S.A.**

431 Pulawska St., 02-801 Warsaw, Poland  
tel.: +4822 546 07 00, fax: +4822 546 07 59  
[www.novuscctv.com](http://www.novuscctv.com)

2017-06-07 MO, TF



instrukcja obsługi  
(skrótowa)



**NVAHD-2DN3201MV/IR-1**

**NOVUS<sup>®</sup>**

## INFORMACJE

---

---

### Dyrektywy EMC (2014/30/UE) i LVD (2014/35/UE)



#### Oznakowanie CE

Nasze produkty spełniają wymagania zawarte w dyrektywach oraz przepisach krajowych wprowadzających dyrektywy:

- Kompatybilność elektromagnetyczna EMC 2014/30/UE.
- Niskonapięciowa LVD 2014/35/UE. Dyrektywa ma zastosowanie do sprzętu elektrycznego

przeznaczonego do użytkowania przy napięciu nominalnym od 50VAC do 1000VAC oraz od 75VDC do 1500VDC.

### Dyrektywa WEEE 2002/96/EC

#### Informacja dla użytkowników o pozbywaniu się urządzeń elektrycznych i elektronicznych



Niniejszy produkt został oznakowany zgodnie z Dyrektywą WEEE (2002/96/EC) oraz późniejszymi zmianami, dotyczącą zużytego sprzętu elektrycznego i elektronicznego. Zapewniając prawidłowe złomowanie przyczyniają się Państwo do ograniczenia ryzyka wystąpienia negatywnego wpływu produktu na środowisko i zdrowie ludzi, które mogłoby zaistnieć w przypadku niewłaściwej utylizacji urządzenia.

Symbol umieszczony na produkcie lub dołączonych do niego dokumentach oznacza, że nasz produkt nie jest klasyfikowany jako odpad z gospodarstwa domowego. Urządzenie należy oddać do odpowiedniego punktu utylizacji odpadów w celu recyklingu. Aby uzyskać dodatkowe informacje dotyczące recyklingu niniejszego produktu należy skontaktować się z przedstawicielem władz lokalnych, dostawcą usług utylizacji odpadów lub sklepem, gdzie nabyto produkt.

### Dyrektywa RoHS 2011/65/UE

#### Informacja dla użytkowników dotycząca ograniczenia użycia substancji niebezpiecznych w sprzęcie elektrycznym i elektronicznym.



W trosce o ochronę zdrowia ludzi oraz przyjazne środowisko zapewniamy, że nasze produkty podlegające przepisom dyrektywy RoHS, dotyczącej użycia substancji niebezpiecznych w sprzęcie elektrycznym i elektronicznym, zostały zaprojektowane i wyprodukowane zgodnie z wymaganiami tej dyrektywy. Jednocześnie zapewniamy, że nasze produkty zostały przetestowane i nie zawierają substancji niebezpiecznych w ilościach mogących

niekorzystnie wpływać na zdrowie człowieka lub środowisko naturalne.

#### Informacja

Urządzenie, jako element profesjonalnego systemu telewizji dozorowej służącego do nadzoru i kontroli, nie jest przeznaczone do samodzielnego montażu w gospodarstwach domowych przez osoby nie posiadające specjalistycznej wiedzy.

#### Obowiązek konsultowania się z Producentem przed wykonaniem czynności nieprzewidzianej instrukcją obsługi albo innymi dokumentami:

Przed wykonaniem czynności, która nie jest przewidziana dla danego Produktu w instrukcji obsługi, innych dokumentach dołączonych do Produktu lub nie wynika ze zwykłego przeznaczenia Produktu, należy, pod rygorem wyłączenia odpowiedzialności Producenta za następstwa takiej czynności, skontaktować się z Producentem.

## UWAGI I OSTRZEŻENIA

### UWAGA!

ZNAJOMOŚĆ NINIEJSZEJ INSTRUKCJI JEST NIEZBĘDNYM WARUNKIEM PRAWIDŁOWEJ EKSPLOATACJI URZĄDZENIA. PROSIMY O ZAPOZNANIE SIĘ Z NIĄ PRZED PRZYSTĄPIENIEM DO INSTALACJI I OBSŁUGI KAMERY.

### UWAGA !

NIE WOLNO DOKONYWAĆ ŻADNYCH SAMODZIELNYCH NAPRAW. WSZYSTKIE NAPRAWY MOGĄ BYĆ REALIZOWANE JEDYNIEM PRZEZ WYKWALIFIKOWANYCH PRACOWNIKÓW SERWISU.

### WARUNKI BEZPIECZEŃSTWA

1. Przed zainstalowaniem i rozpoczęciem eksploatacji należy dokładnie zapoznać się z niniejszą instrukcją obsługi i zawartymi w niej wymogami bezpieczeństwa;
2. Uprasza się o zachowanie instrukcji na czas eksploatacji kamery na wypadek konieczności odniesienia się do zawartych w niej treści;
3. Należy skrupulatnie przestrzegać wymogów bezpieczeństwa opisanych w instrukcji, gdyż mają one bezpośredni wpływ na bezpieczeństwo użytkowników i trwałość oraz niezawodność urządzenia;
4. Wszystkie czynności wykonywane przez instalatorów i użytkowników muszą być realizowane zgodnie z opisem zawartym w instrukcji;
5. W czasie czynności konserwatorskich urządzenie musi być odłączone od zasilania;
6. Nie wolno stosować żadnych dodatkowych urządzeń lub podzespołów nie przewidzianych i nie zalecanych przez producenta;
7. Nie należy instalować tego urządzenia w miejscu, gdzie nie można zapewnić właściwej wentylacji (np. zamknięte szafki, itp.), co powoduje zatrzymanie się ciepła i w konsekwencji może doprowadzić do uszkodzenia urządzenia;
8. Nie wolno umieszczać kamery na niestabilnych powierzchniach lub niezalecanych przez producenta uchwytach. Źle zamocowana kamera może być przyczyną groźnego dla ludzi wypadku lub sama ulec poważnemu uszkodzeniu. Kamera musi być instalowana przez wykwalifikowany personel o odpowiednich uprawnieniach według zaleceń podanych w niniejszej instrukcji;
9. Urządzenie może być zasilane jedynie ze źródeł o parametrach zgodnych ze wskazanymi przez producenta w danych technicznych kamery. Dlatego też, zabrania się zasilania kamery ze źródeł o nieznanym, niestabilnym lub niezgodnym z wymaganiami określonymi przez producenta parametrach;
10. Przewody sygnałowe i zasilające powinny być prowadzone w sposób wykluczający możliwość ich przypadkowego uszkodzenia. Szczególną uwagę należy zwrócić na miejsce wyprowadzenia przewodów z kamery oraz na miejsce przyłączenia do źródła zasilania.
11. W celu uniknięcia uszkodzenia urządzenia, cały tor wizyjny powinien być wyposażony w prawidłowo wykonane układy ochrony przed zakłóceniami, przepięciami i wylądowaniami atmosferycznymi. Zalecane jest również stosowanie transformatorów separujących.
12. Użytkownik nie może dokonywać żadnych napraw lub modernizacji urządzenia. Wszystkie naprawy mogą być wykonywane jedynie przez wykwalifikowanych pracowników autoryzowanego serwisu;
13. Instalacja elektryczna zasilająca kamerę powinna być zaprojektowana z uwzględnieniem wymagań podanych przez producenta tak, aby nie doprowadzić do jej przeciążenia;

## CHARAKTERYSTYKA OGÓLNA

14. Należy niezwłocznie odłączyć kamerę od źródła zasilania i przewodów sygnałowych oraz skontaktować się z właściwym serwisem w następujących przypadkach:
  - Uszkodzenia przewodu zasilającego lub wtyczki tego przewodu;
  - Przedostania się cieczy do środka urządzenia lub gdy zostało ono narażone na silny uraz mechaniczny;
  - Urządzenie działa w sposób odbiegający od opisanego w instrukcji, a regulacje dopuszczone przez producenta i możliwe do samodzielnego przeprowadzenia przez użytkownika nie przynoszą spodziewanych rezultatów;
  - Obudowa została uszkodzona;
  - Można zaobserwować nietypowe zachowanie kamery.
15. W przypadku konieczności naprawy urządzenia należy upewnić się, czy pracownicy serwisu użyli oryginalnych części zamiennych o charakterystykach elektrycznych zgodnych z wymaganiami producenta. Nieautoryzowany serwis i nieoryginalne części mogą być przyczyną powstania pożaru lub porażenia prądem elektrycznym;
16. Po wykonaniu czynności serwisowych należy przeprowadzić testy urządzenia i upewnić się co do poprawności działania wszystkich podzespołów funkcjonalnych kamery.

**Kamery AHD marki Novus dedykowane są do współpracy z rejestratorami AHD marki Novus. Tylko w połączeniu z nimi gwarantowany jest najwyższy poziom jakości obrazu. Podłączenie kamer AHD marki Novus do rejestratorów AHD innych producentów może skutkować obniżeniem jakości wideo.**

### 1. CHARAKTERYSTYKA OGÓLNA

- Mechaniczny filtr podczerwieni
- Możliwość pracy w podczerwieni
- Rozdzielczość 2MPX
- Czulość: od 0.1lx/F=2.0 (0lx z wł. oświetlaczem IR)
- Typ obiektywu: standardowy f=3.6 mm/F2.0
- Wbudowany oświetlacz podczerwieni, 1 dioda LED
- Czujnik światła widzialnego
- 2DNR, 3DNR - cyfrowa redukcja szumu
- HLC - redukcja efektu oślepienia kamery
- BLC - kompensacja jasnego tła
- DSS - wydłużona migawka
- F-DNR - Funkcja Defog
- WDR - szeroki zakres dynamiki
- Możliwość pracy w trybie AHD 1080p, TVI 1080p, CVI 1080p, analog 960H
- Dodatkowe funkcje:
  - odbicie lustrzane, obrót o 180°, przerzucenie w pionie, zamrożenie obrazu
  - maskowanie uszkodzonych pikseli
  - regulacja jasności obrazu
  - praca w systemach PAL i NTSC
- Menu ekranowe dostępne z poziomu rejestratora
- Zasilanie 12VDC
- Klasa szczelności IP 66

#### **Uwaga!**

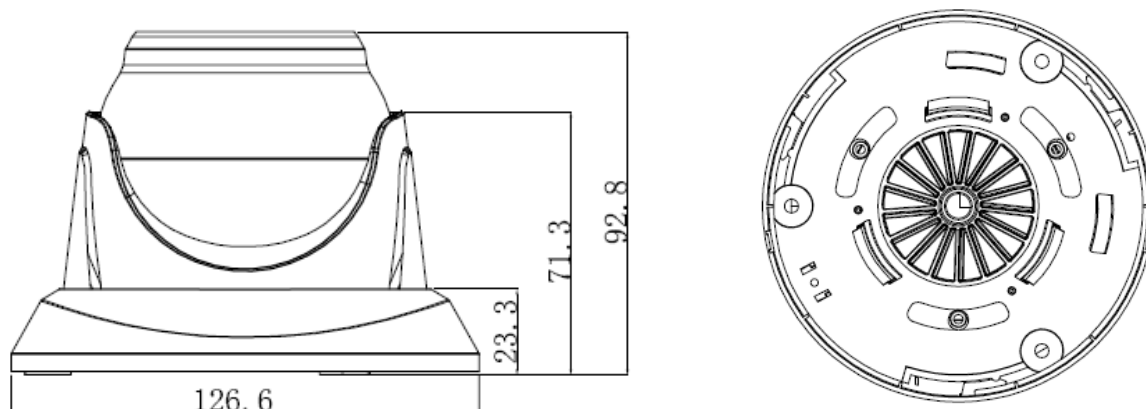
**Producent zastrzega sobie możliwość wystąpienia błędów w druku oraz zmian parametrów technicznych bez uprzedniego powiadomienia.**

**DANE TECHNICZNE****2. DANE TECHNICZNE**

<b>Obraz</b>	
Przetwornik obrazu	matryca CMOS 1/2.9" SONY
Tryb pracy	AHD 1080p, TVI 1080p, CVI 1080p, analog 960H
Liczba efektywnych pikseli	1920 (H) x 1080 (V)
Rozdzielczość	1080p
Czułość	0.3 lx/F2.0 - tryb kolorowy, 0.1 lx/F2.0 - tryb czarno-biały, 0 lx (IR wł.) - tryb czarno-biały
Stosunek sygnału do szumu	> 50 dB (wyłączona ARW)
Elektroniczna migawka	automatyczna/manualna: 1/25 s ~ 1/50000 s
Wydłużona migawka (DSS)	do 30x
Redukcja efektu oślepienia kamery (HLC)	tak
Szeroki zakres dynamiki (WDR)	tak
Cyfrowa redukcja szumu (DNR)	2D, 3D
Funkcja Defog (F-DNR)	tak
<b>Obiektyw</b>	
Typ obiektywu	standardowy, f=3.6 mm/F2.0
<b>Dzień/noc</b>	
Rodzaj przełączania	mechaniczny filtr podczerwieni
Tryb przełączania	automatyczny, manualny
Regulacja poziomu przełączania	tak
Opóźnienie przełączania	0 ~ 60 s
Czujnik światła widzialnego	tak
<b>Pozostałe funkcje</b>	
System	PAL, NTSC
Menu ekranowe	języki: polski, angielski, rosyjski, inne
Strefy prywatności	4
Detekcja ruchu	tak
Obróbka obrazu	korekcja uszkodzonych pikseli (DPC), obrót obrazu o 180°, odbicie lustrzane, negatyw, zamrożenie obrazu
Zdalne sterowanie	Tak (protokół COAX)
<b>Oświetlacz IR</b>	
Liczba LED	1
Zasięg	30 m
<b>Interfejsy</b>	
Wyjście wideo	BNC, 1.0 Vp-p, 75 Ohm
<b>Parametry instalacyjne</b>	
Wymiary (mm)	126 (Φ) x 93 (wys.)
Masa	0.5 kg
Klasa szczelności	IP 66 (szczegóły w instrukcji obsługi)
Obudowa	wandaloodporna aluminiowa, w kolorze białym
Zasilanie	12 VDC
Pobór mocy	1 W, 4 W (IR wł.)
Temperatura pracy	-20°C ~ 55°C

## INSTALACJA

### 2.1. Wymiary kamery:



### 2.2. Zawartość zestawu

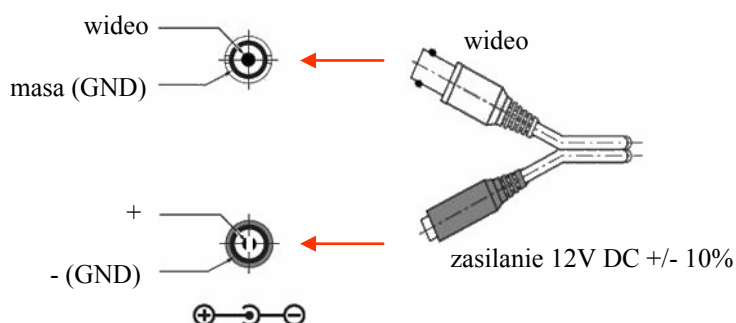
- Kamera NVAHD-2DN3202MV/IR-1
- Instrukcja obsługi
- Torebka z akcesoriami montażowymi

Przed przystąpieniem do instalacji należy sprawdzić zawartość zestawu z powyższym wykazem. W przypadku stwierdzenia braków należy zaniechać instalacji i skontaktować się z dystrybutorem.

## 3. INSTALACJA

### 3.1 Podłączanie zasilania

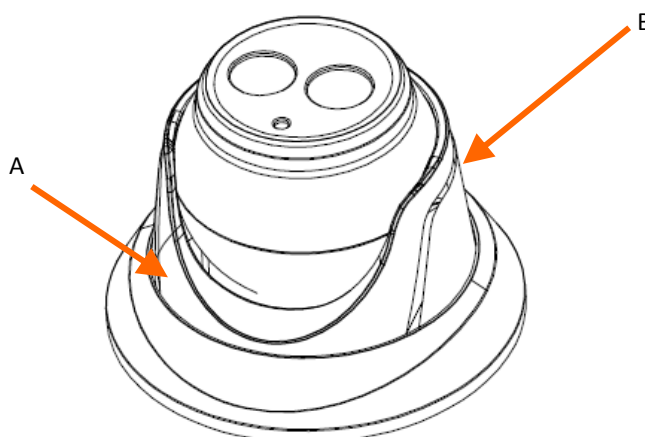
**UWAGA: Kamerę należy zasilac z źródeł o odpowiednim napięciu i wydajności prądowej. Zastosowanie źródła zasilania o nieodpowiednich parametrach może skutkować nieprawidłową pracą urządzenia lub jego uszkodzeniem.**



### 3.2. Montaż kamery

W celu zamontowania kamery należy postępować zgodnie z podaną procedurą:

1. Zdemontować pierścień ozdobny (A) obracając go w kierunku przeciwnym do ruchu wskazówek zegara
2. Odkręcić wkręt blokujący i wyjąć blokadę, zdjąć osłonę kamery (B), wyjąć kamerę z podstawy
3. Wzorując się na położeniu otworów w podstawie kamery, zaznaczyć punkty pod przyszłe otwory mocujące i przepust kablowy.
4. Wywiercić otwory montażowe i otwór pod kabel sygnałowy w miejscu podłączenia.
5. Zamocować podstawę kamery przy użyciu załączonych kołków i wkrętów.
6. Podłączyć przewody kamery, umieścić ją na podstawie, założyć osłonę (B) i przykręcić wstępnie blokadę
7. Dokonać regulacji położenia kamery
8. Dokręcić do oporu wkręt blokujący i zamontować pierścień ozdobny (A) obracając go w kierunku ruchu wskazówek zegara



#### UWAGA!

Należy zwrócić szczególną uwagę, aby powierzchnia do której mocowany jest uchwyt i kamera miała odpowiednią nośność.

#### UWAGA!

W przypadku instalacji na nierównych/chropowatych powierzchniach, zalecane jest aby miejsce instalacji uchwytu dodatkowo uzupełnić masą uszczelniającą. Szczególną uwagę należy zwrócić również na otwory montażowe i jeśli są przelotowe należy je uszczelnić.

#### UWAGA!

Deklarowana klasa szczelności kamery dotyczy jej obudowy i nie uwzględnia możliwości wnikania wilgoci do wnętrza kamery poprzez przewody przyłączeniowe. Zabezpieczenie przewodów poprzez np. uszczelnienie ich odpowiednią masą jest obowiązkiem osoby instalującej kamerę. Producent nie ponosi odpowiedzialności za wszelkie szkody, uszkodzenia kamery powstałe w skutek niedopełnienia w/w obowiązku co jednocześnie oznacza, iż nie podlegają one naprawom gwarancyjnym.



## USTAWIENIA

### 4. USTAWIENIA

#### UWAGA:

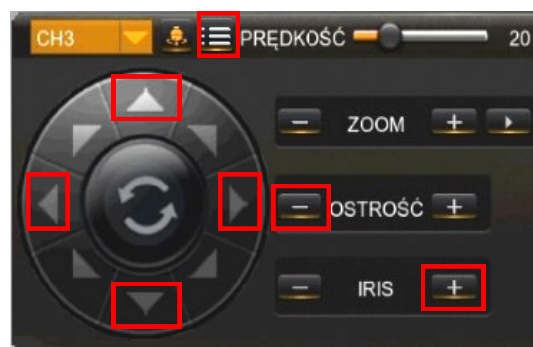
Konfiguracja kamery została przedstawiona z użyciem rejestratora marki Novus.

Kamera posiada menu ekranowe wyświetlane na tle obrazu. Podczas normalnej pracy kamery na obrazie mogą być wyświetlane informacje statusowe. Do nawigowania po menu ekranowym i dokonywania zmian służy opcja **PTZ** w rejestratorze. Protokołem używanym do sterowania funkcjami kamery jest protokół **COAX**. Aby móc nawigować w menu kamery należy w sekcji *Urządzenia* w menu rejestratora, w zakładce **PTZ** wybrać kanał odpowiadający kamerze, a następnie dla tego kanału wybrać protokół **COAX** i zapisać zmiany.

W celu wejścia do menu kamery, należy w rejestratorze wybrać odpowiedni kanał i wyświetlić menu sterowania PTZ (przyciskiem ). Następnie, w oknie które się pojawiło, należy nacisnąć przycisk „Menu” , lub przycisk „+” przy opcji **IRIS**, lub przycisk „-” przy opcji **OSTROŚĆ**.

Do poruszania się po menu służą przyciski konsoli PTZ:

- ▲ / ▼ - góra/dół - poruszanie się po menu
  - ▶ / ◀ - prawo/lewo - zmiana opcji
  - IRIS+
  - OSTROŚĆ-
  - MENU
- } - polecenie ENTER



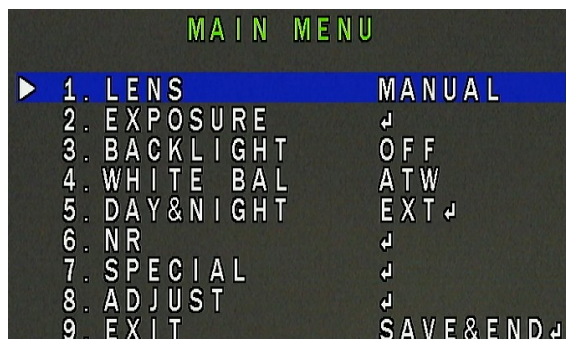
Naciśnięcie **IRIS+**, lub **OSTROŚĆ-**, lub „Menu” oznacza dla urządzenia wydanie polecenia **ENTER**. W celu wyboru poszczególnych opcji podmenu, należy używać przycisków **GÓRA**, **DÓŁ**. Jeżeli przy podmenu znajduje się symbol ↵ oznacza to możliwość wejścia do jego ustawień poprzez wydanie polecenia **ENTER**.

W celu zmiany parametrów wybranych pozycji należy wybrać przyciski **LEWO**, **PRAWO**. W celu opuszczenia menu kamery z zapisaniem dokonanych zmian należy wybrać pozycję **EXIT** i wybrać **SAVE&END**. Wybranie **RESET** powoduje przywrócenie ustawień fabrycznych, a wybranie **NOT SAVE** spowoduje wyjście z menu bez zapisania zmian. W celu wyjścia z podmenu należy wybrać pozycję **RETURN** i wydać polecenie **ENTER**. Wybranie (poprzez ruch lewo/prawo) opcji **SAVE&END** w pozycji **RETURN** powoduje zapisanie ustawionych zmian i zamknięcie menu.



#### 4.1. Menu główne

Po naciśnięciu przycisku „Menu”  na ekranie zostanie wyświetlone poniższe menu:

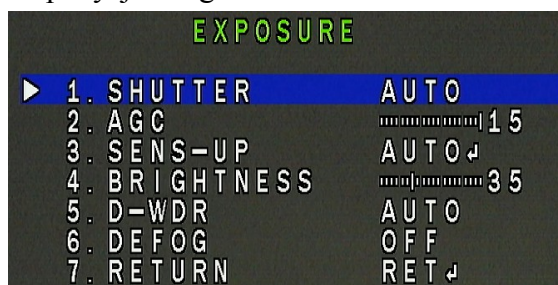


##### 4.1.1 Podmenu LENS (ustawienia obiektywu)

Dla tego modelu kamery funkcja jest niedostępna.

##### 4.1.2 Podmenu EXPOSURE (ekspozycja)

Podmenu zawiera ustawienia ekspozycji i migawki.



**SHUTTER** - wybór trybu pracy migawki. Pozwala na wybranie automatycznego trybu pracy (**AUTO**), trybu ręcznego z regulacją migawki w zakresie 1/25~1/50000 s oraz trybu redukcji migotania w warunkach pulsującego oświetlenia (**FLK**).

**AGC** - funkcja automatycznej regulacji wzmocnienia. Pozwala na regulację wzmocnienia w zakresie od 0 do 15.

**SENSUP** - (wydłużona migawka) pozwala na wybranie mnożnika czasu otwarcia migawki (1/50-1/100000s), w zakresie od x2 do x30 (otwiera się kolejne podmenu).

**BRIGHTNESS** - zmienia poziom odniesienia sterowania przysłoną - „jasność” (od 1 do 100).

**D-WDR** - pozwala na włączenie i zmianę poziomu czułości funkcji szerokiego zakresu dynamiki. Po wybraniu funkcji dostępne jest podmenu regulacji czułości w zakresie od 0 do 15.

**DEFOG** - pozwala na włączenie funkcji korekcji obrazu zakłóconego wpływem mgły, deszczu itp. Otwiera kolejne podmenu umożliwiające ustawienie strefy działania funkcji i stopnia redukcji zakłóceń.

## USTAWIENIA

### 4.1.3 Podmenu BACKLIGHT

Funkcje kompensacji jasnego tła pozwalają uwypuklić obiekt znajdujący się na pierwszym planie w obrazie przy silnie oświetlonym tle (**BLC**), lub obserwować obiekty znajdujące się w pobliżu silnych punktowych źródeł światła (**HSBLC**).

**BLC** - funkcja kompensacji jasnego tła pozwalająca uwypuklić obiekt znajdujący się na pierwszym planie w obrazie przy silnie oświetlonym tle. Po wybraniu tej opcji dostępne jest poniższe podmenu:

BLC	
1. LEVEL	MIDDLE
2. AREA	↓
3. DEFAULT	↓
4. RETURN	RET ↓

W tym podmenu mamy możliwość ustawienia obszaru działania funkcji **BLC** oraz poziomu kompensacji.

**HSBLC** - funkcja kompensacji jasnych źródeł światła mogących oślepić kamerę. W momencie, gdy na ekranie pojawi się znacznie jaśniejsze od otoczenia źródło światła, zostanie ono wyeliminowane (poprzez zasłonięcie) co umożliwi efektywną obserwację sceny. Funkcja ta jest bardzo przydatna, w przypadku obserwacji np. tablic rejestracyjnych samochodów. Wybranie opcji otwiera następujące podmenu:

HSBLC	
1. SELECT	AREA 1
2. DISPLAY	OFF
3. BLACK MASK	ON
4. LEVEL	..... 20
5. MODE	---
6. DEFAULT	↓
7. RETURN	RET ↓

**SELECT** - umożliwia wybór jednego z czterech obszarów działania funkcji HSBLC

**DISPLAY** - włącza lub wyłącza wybraną wcześniej strefę.

**BLACK MASK** - włącza lub wyłącza maskowanie obszarów

**LEVEL** - odpowiada za intensywność działania funkcji w zakresie 0-100.

**MODE** - (**ALL DAY/NIGHT**) określa czy funkcja ma działać przez cały czas czy tylko w nocy (ustawienie zalecane).

**DEFAULT** - przywraca domyślne ustawienia funkcji.

#### 4.1.4 Podmenu WHITE BAL (balans bieli)

Funkcja balansu bieli pozwala na właściwą interpretację kolorów dla światła o różnej temperaturze barwowej.

**ATW** - automatyczne ustawienie poziomu bieli z ciągłym śledzeniem temperatury barwowej.

**AWC→SET** - adaptacyjne ustawienia balansu bieli. W celu uzyskania optymalnych ustawień balansu bieli należy skierować kamerę na białą kartkę papieru i nacisnąć przycisk **SET**. W przypadku zmiany parametrów oświetlenia (zmiana świetlówek na światła żarowe, dziennego na sztuczne itp.) procedurę należy powtórzyć.

**INDOOR** - adaptacyjne ustawienia balansu bieli, należy ustawić tę opcję w przypadku, gdy kamera zwrócona jest na otoczenie zewnętrzne

**OUTDOOR** - adaptacyjne ustawienia balansu bieli, należy ustawić tę opcję w przypadku, gdy kamera zwrócona jest na otoczenie wewnętrzne

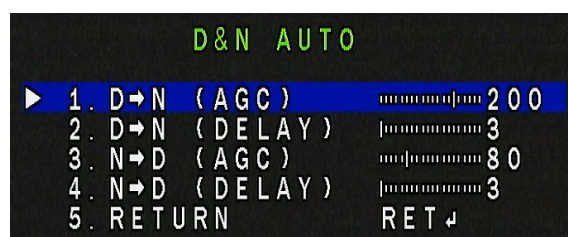
**MANUAL** - tryb ustawień ręcznych. W przypadku nieprawidłowego odwzorowania kolorów dla trybów **ATW**, **AWC** można ręcznie ustawić poziom składowych kolorów: czerwonej (**RED**) i niebieskiej (**BLUE**). Zakres regulacji poszczególnych składowych wynosi od 0 do 100 i jest obrazowany za pomocą suwaków. Zmiany składowych widoczne są w obrazie na bieżąco. Suwaki zmiany składowych są aktywne jedynie w trybie ręcznym funkcji balansu bieli.

**AWB** - automatyczne ustawienie poziomu bieli

#### 4.1.5 Podmenu DAY&NIGHT (Dzień/Noc)

Pozwala na dokonanie ustawień dotyczących funkcji dzień/noc. Możliwe ustawienia to: **AUTO**, **EXT**, **COLOR**, **B/W**.

**AUTO** - kamera automatycznie przechodzi z trybu kolorowego w tryb czarno-biały i odwrotnie wraz ze zmieniającymi się warunkami oświetleniowymi. Dla tej opcji po wydaniu polecenia **ENTER** dostępne jest poniższe podmenu:



**D--N (AGC) i N--D (AGC)** - wybór progu przełączania się kamery pomiędzy trybem pracy kolorowym a czarnobiałym oraz między trybem czarnobiałym a kolorowym (odpowiednio 6~255 i 0~249)

**D--N (DELAY) i N--D (DELAY)** - wybór prędkości przełączania się kamery pomiędzy trybem pracy kolorowym a czarnobiałym oraz między czarnobiałym a kolorowym (0~60s)

**B/W** - kamera na stałe pracuje w trybie czarno-białym. Dla tej opcji po naciśnięciu przycisku **SET** dostępna jest opcja **IR SMART**, która zapewniająca zrównoważony poziom jasności obrazu przy pracy oświetlacza IR.

**COLOR** - kamera na stałe pracuje w trybie dziennym (kolorowym).

**EXT** - funkcja niedostępna

## USTAWIENIA

### 4.1.6 Podmenu NR (redukcja szumów)

Pozwala na dokonywanie ustawień funkcji cyfrowej redukcji szumów. Po wybraniu pozycji i wydaniu polecenia **ENTER** pojawi się podmenu, które umożliwi ustawienie poziomu redukcji szumów dla statycznych partii obrazu - **2DNR** oraz dla zmiennych (dynamicznych) partii obrazu - **3DNR**. Obie funkcje mają dostępne ustawienia: **OFF, LOW, MIDDLE, HIGH**.

### 4.1.7 Podmenu SPECIAL (funkcje dodatkowe)

Pozwala na ustawienia dodatkowych funkcji kamery. Po wybraniu pozycji i wydaniu polecenia **ENTER** pojawi się poniższe podmenu:



**CAM TITLE** - Po wybraniu pozycji **ON** i wydaniu polecenia **ENTER** mamy możliwość ustawienia ciągu znaków wyświetlanych na ekranie jako np. nazwa danej kamery. Możliwe jest wprowadzenie do 15 znaków. Znaki wybiera się nawigując po wirtualnej klawiaturze. Główną część zajmują znaki alfanumeryczne, które można użyć w nazwie. Zatwierdzenie wybranego znaku odbywa się poprzez wydanie polecenia **ENTER**. Aktualnie edytowana nazwa wyświetlana jest na samym dole okna. Jeden wiersz powyżej zgrupowane są ikony funkcyjne. Aby uruchomić działanie poszczególnych funkcji należy, tak jak normalne znaki, wybrać kursorami i zatwierdzić. Działanie poszczególnych funkcji jest następujące:

← - przemieszczanie kursora w lewo po poszczególnych znakach nazwy.

→ - przemieszczanie kursora w prawo po poszczególnych znakach nazwy

**POS** - ustawienie przy pomocy joysticka pozycji wyświetlania znaków.

**CLR** - wykasowanie całej wprowadzonej dotychczas nazwy.

**END** - wyjście z trybu edycji nazwy.

**D-EFFECT** - podmenu zawierające dodatkowe cyfrowe funkcje obrazu:

**FREEZE** - "zamrożenie" obrazu na klatce wyświetlanej w chwili wybrania opcji.

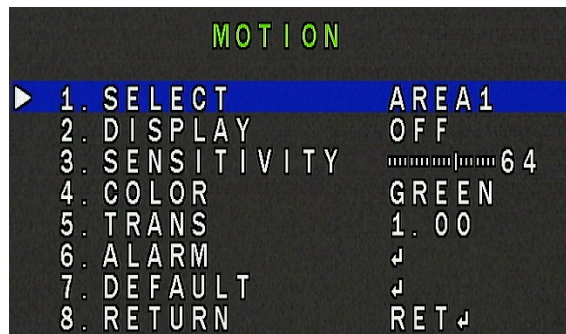
**MIRROR** - zmienia sposób wyświetlania obrazu: odbicie lustrzane (**MIRROR**), obrót o 180° (**ROTATE**), przerzucenie w pionie (**V-FLIP**).

**NEG. IMAGE** - włączenie (**ON**), wyłączenie (**OFF**) negatywowego wyświetlania obrazu.

**MOTION** - podmenu pozwala na włączenie wbudowanej w kamerze funkcji detekcji ruchu. Detekcja może być sprawdzana w czterech niezależnych strefach o zdefiniowanej przez użytkownika powierzchni i położeniu. Aktywacja funkcji detekcji ruchu powoduje wyświetlenie informacji „**MOTION DETECTED**” na tle obrazu z kamery, oraz zaznaczenie strefy w której nastąpiła detekcja.

## USTAWIENIA

Po wybraniu pozycji **ON** i wydaniu polecenia **ENTER** pojawi się poniższe podmenu pozwalające dopasować ustawienia dotyczące funkcji detekcji ruchu:



**SELECT** - umożliwia wybór ustawianej aktualnie strefy detekcji ruchu

**DISPLAY** - umożliwia wyłączenie i włączenie stref, oraz ustawienie ich rozmiaru i położenia

**SENSITIVITY** - ustawianie czułości detekcji dla ustawianej aktualnie strefy

**COLOR** - ustawia kolor wizualizacji ruchu w ustawianej strefie

**TRANS** - umożliwia ustawienie stopnia przezroczystości wizualizacji

**ALARM** - wyświetla kolejne podmenu w którym można ustawić sposób wizualizacji ruchu (**OFF**, **BLOCK**, **OUTLINE**, **ALL**), można włączyć bądź wyłączyć wyświetlanie informacji „**MOTION DETECTED**” i ustawić czas jej wyświetlania (1 ~ 15 s). Opcje **ALARM OUT** i **ALARM SIG** są nieaktywne.

**DEFAULT** - przywraca ustawienia domyślne

**PRIVACY** - pozwala na włączenie stref prywatności, które maskują część sceny. Po wybraniu pozycji **ON** i wydaniu polecenia **ENTER** pojawi się podmenu umożliwiające ustawienie do czterech stref:



**SELECT** - umożliwia wybór strefy do ustawienia

**DISPLAY** - ta opcja pozwala na wyłączenie danej strefy (**OFF**), i na włączenie - z ustawieniem sposobu maskowania: za pomocą nałożonego koloru, odwrócenia kolorów bądź mozaikowania (**COLOR**, **INV**, **MOSAIC**). Wydanie polecenia **ENTER** po wybraniu opcji **COLOR**, **INV** lub **MOSAIC** spowoduje otwarcie nowego podmenu umożliwiającego ustawienie położenia i rozmiarów strefy.

**COLOR** - ustawia kolor maskowania (o ile wybrana została wcześniej opcja **COLOR**).

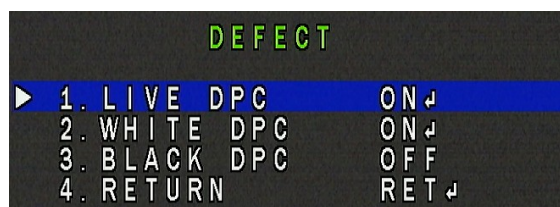
**TRANS** - umożliwia ustawienie stopnia przezroczystości maskowania (o ile wybrana została wcześniej opcja **COLOR**).

**DEFAULT** - przywraca ustawienia domyślne

## USTAWIENIA

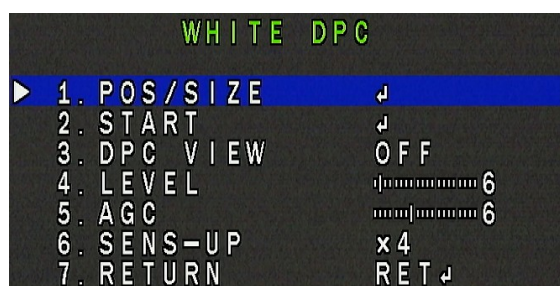
**LANGUAGE** - pozwala na wybranie języka OSD spośród: angielskiego, polskiego, rosyjskiego i innych.

**DEFECT** - otwiera podmenu pozwalające na wykonanie korekcji nieaktywnych (uszkodzonych) pikseli:



**LIVE DPC** - ustawianie parametrów funkcji korygującej wadliwe piksele w czasie rzeczywistym. Po wybraniu **ON** i wydaniu polecenia **ENTER** otwiera się podmenu umożliwiające ustawienie poziomu wzmocnienia i poziomu korekcji.

**WHITE DPC** - umożliwia dokonanie korekcji (maskowania) tzw. „gorących pikseli” (świejących na biało). Po wybraniu **ON** i wydaniu polecenia **ENTER** otwiera się podmenu:



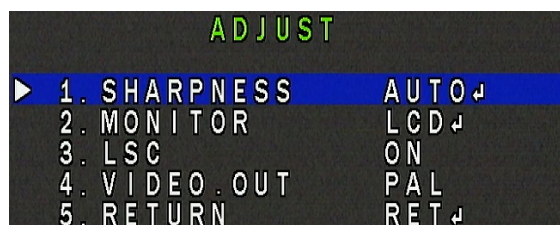
Określamy w nim rozmiar i położenie strefy w której będzie dokonana korekcja (pozycja **POS/SIZE**), następnie określamy poziom korekcji i wzmocnienia (pozycje **LEVEL** i **AGC**) i ustawienie opcji **SENS-UP** (o ile kamera z niej korzysta - pozycja **SENS-UP**). Następnie w pozycji **START** wydajemy polecenie **ENTER**, zasłaniamy szczelnie obiektyw i ponownie wydajemy polecenie **ENTER**. Po dokonaniu korekcji kamera powróci do menu **WHITE DPC**. W pozycji **DPC VIEW** można sprawdzić efekt korekcji i w razie niezadowolających rezultatów powtórzyć operację z innymi ustawieniami.

**BLACK DPC** - umożliwia dokonanie korekcji (maskowania) tzw. „martwych pikseli”. Po wybraniu **ON** i wydaniu polecenia **ENTER** otwiera się podmenu w którym określamy rozmiar i położenie strefy w której będzie dokonana korekcja (pozycja **POS/SIZE**), następnie określamy poziom korekcji (pozycja **LEVEL**). Następnie w pozycji **START** wydajemy polecenie **ENTER** i czekamy na zakończenie operacji. W pozycji **DPC VIEW** można sprawdzić efekt korekcji i w razie niezadowolających rezultatów powtórzyć operację z innymi ustawieniami.

**RS485** - opcja nieaktywna.

#### 4.1.8 Podmenu ADJUST (regulacje)

Pozwala na wykonanie dodatkowych regulacji obrazu. Po wydaniu polecenia **ENTER** pojawi się poniższe podmenu:



**SHARPNESS** - umożliwia wyłączenie (**OFF**) i włączenie (**AUTO**) korekcji ostrości obrazu. Po wybraniu **AUTO** i wydaniu polecenia **ENTER** pojawia się kolejne podmenu w którym można ustawić stopień korekcji oraz zakresy wzmocnienia, dla których korekcja ma być wykonywana

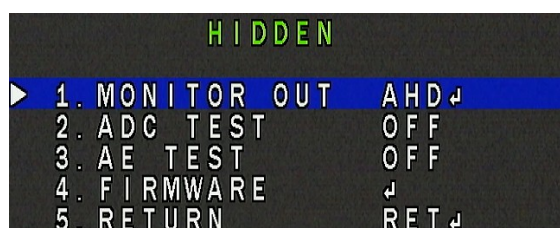
**MONITOR** - koryguje parametry obrazu w zależności od tego, czy ma być wyświetlany na monitorze LCD, czy kineskopowym. Po wydaniu polecenia **ENTER** pojawia się podmenu, w którym można dokonać precyzyjnych regulacji.

**LSC** - włącza i wyłącza funkcję korekcji efektu winietowania obrazu

**VIDEO OUT** - przełącza system w którym pracuje kamera (**PAL** lub **NTSC**)

#### 4.1.9 Menu ustawień dodatkowych kamery HIDDEN

Kamera posiada menu ustawień dodatkowych, do którego uzyskujemy dostęp poprzez wykonanie odpowiedniej sekwencji. Aby wejść do menu **HIDDEN** należy najechać na menu **EXPOSURE**, trzykrotnie nacisnąć przycisk **PRAWO (RIGHT)**, a następnie wydać polecenie **ENTER**. Pojawi się poniższe menu:



**MONITOR OUT** - wybranie trybu pracy kamery. Dostępne tryby pracy to: AHD, CHD, THD, CVBS

**ADC TEST** - opcja która wyświetla dane z przetwornika analogowo cyfrowego do celów testowych

**AE TEST** - opcja która wyświetla dane z funkcji Auto Exposure do celów testowych

**FIRMWARE** - aktualna wersja firmweru kamery.

**RETURN** - powrót do poprzedniego menu.

**NOVUS<sup>®</sup>**

**AAT Holding S.A.**

ul. Puławska 431, 02-801 Warszawa  
tel.: (22) 546 0 700, fax: (22) 546 0 719  
[www.novuscctv.com](http://www.novuscctv.com)