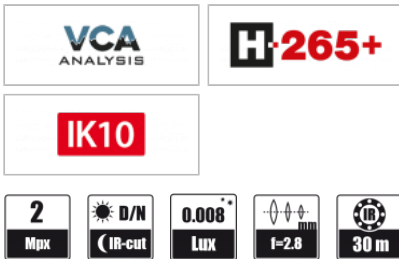


## 2 MPX Vandal Proof IP Camera NVIP-2VE-6231-II/7043

6000 VSS  
IP



### KEY FEATURES

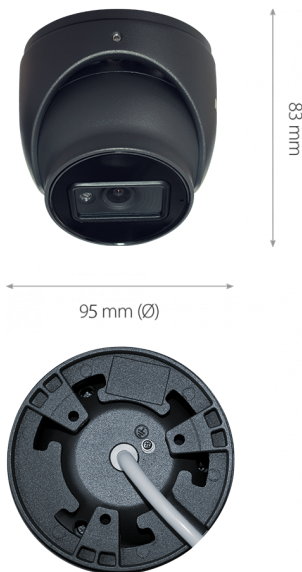


- Resolution: 2 MPX
- Lens: fixed focal, f=2.8 mm/F1.6
- built-in microphone
- D/N function - IR cut filter
- Video content analysis
- microSD card support
- Min. Illumination from 0.008 lx (0 lx, IR on)
- IR LED, range up to 30 m

### COMPATIBILITY



### DIMENSIONS



The camera is dedicated to work with NOVUS 6000 series recorders. Detailed data can be found in the compatibility table available in the **DOWNLOADABLE FILES** tab.

### IMAGE

Image Sensor	2 MPX CMOS sensor 1/2.8" SmartSens
Number of Effective Pixels	1928 (H) x 1088 (V)
Min. Illumination	0.008 lx/F1.6 - color mode • 0 lx (IR on) - B/W mode
Electronic Shutter	auto: 1/3 s ~ 1/100000 s
Wide Dynamic Range (WDR)	yes
Digital Noise Reduction (DNR)	yes
Highlight Compensation (HLC)	yes
Back Light Compensation (BLC)	yes
Reduction of image flicker (Antiflicker)	yes

### LENS

Lens Type	fixed focal, f=2.8 mm/F1.6
-----------	----------------------------

### DAY/NIGHT

Switching Type	mechanical IR cut filter
Switching Mode	auto, manual, time
Switching Level Adjustment	yes
Switching Delay	2 ~ 120 s
Switching Schedule	yes
Visible Light Sensor	yes

### NETWORK

Stream Resolution	1920 x 1080 (Full HD), 1280 x 720 (HD), 640 x 480 (VGA), 320 x 240 (QVGA)
Frame Rate	30 fps for 1920 x 1080 (Full HD) and lower resolutions
Multistreaming Mode	number of streams: 2
Video/Audio Compression	H.264, H.264+, H.265, H.265+, MJPEG/G.711
Number of Simultaneous Connections	max. 3
Bandwidth	9 Mb/s in total
Network Protocols Support	HTTP, IPv4, IPv4/v6, UDP, HTTPS, FTP, DHCP, DDNS, NTP, RTSP, RTP, UPnP, SNMP, QoS, IEEE 802.1X, PPPoE, SMTP, RTCP
ONVIF Protocol Support	Profile G/S/T
Camera Configuration	from Internet Explorer browser • languages: Polish, English, and others

## 2 MPX Vandal Proof IP Camera NVIP-2VE-6231-II/7043

Compatible Software	NOVUS MANAGEMENT SYSTEM VSS, NOVUS MANAGEMENT SYSTEM AC, N Control 6000
---------------------	---

Mobile applications	SuperLive Plus (iPhone, Android)
---------------------	----------------------------------

### VIDEO ANALYTICS

Functions	abandoned object, object disappearance, line cross, scene change, intrusion detection
-----------	---

### OTHER FUNCTIONS

Privacy Zones	4 video mask type: single color
---------------	---------------------------------

Motion Detection	yes
------------------	-----

Region of interest (ROI)	8
--------------------------	---

Image Processing	sharpening, mirror effect, vertical flip, horizontal flip
------------------	---

Prealarm/Postalarm	up to 6 s/up to 120 s
--------------------	-----------------------

System Reaction to Alarm Events	e-mail, e-mail with attachment, saving file on FTP server, saving file on SD card
---------------------------------	---

Restoring default settings	via web browser, using reset button, via NMS IPTool software
----------------------------	--

### IR LED

LED Number	1
------------	---

Range	30 m
-------	------

Smart IR	yes (software support)
----------	------------------------

### INTERFACES

Audio Input/Output	1 x Jack (3.5 mm)/- • built-in microphone
--------------------	---

Network Interface	1 x Ethernet - RJ-45 interface, 10/100 Mbit/s
-------------------	---

Memory Card Slot	microSD - capacity up to 256GB
------------------	--------------------------------

### INSTALLATION PARAMETERS

Dimensions (mm)	95 (Φ) x 83 (H)
-----------------	-----------------

Weight	0.5 kg
--------	--------

Degree of Protection	IP 67 (details in the user's manual)
----------------------	--------------------------------------

Enclosure	vandalproof, IK10 impact rating, aluminium, grey
-----------	--

Power Supply	12 VDC, PoE (IEEE 802.3af, Class 3)
--------------	-------------------------------------

Surge protection	TVS 4000 V
------------------	------------

Power Consumption	3 W • 5.5 W (IR illuminator on)
-------------------	---------------------------------

Operating Temperature	-30°C ~ 60°C
-----------------------	--------------

Humidity	max. 95%, relative (non-condensing)
----------	-------------------------------------